



Honoured with:



Cassette awning

Kubata

Kubata LED

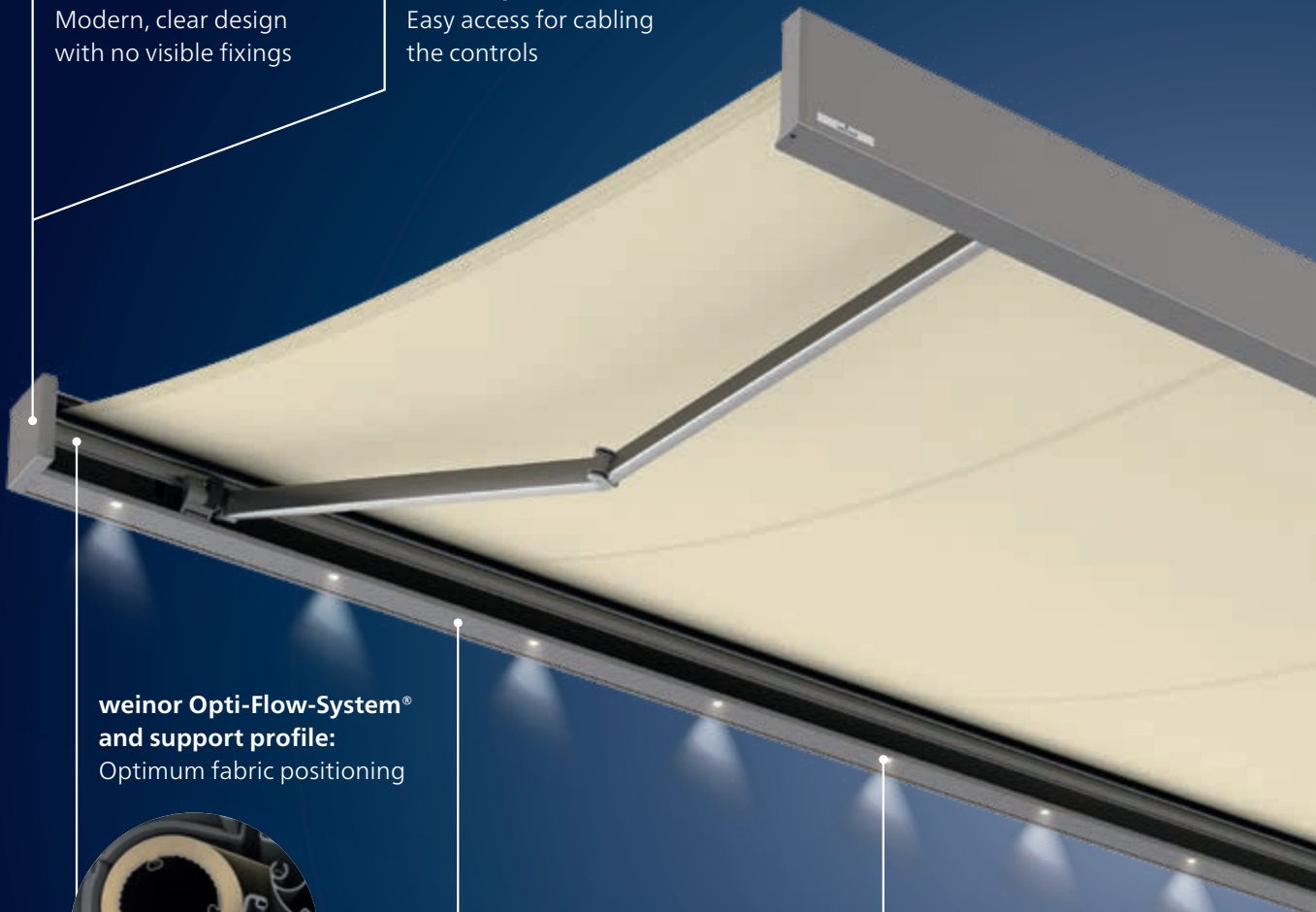
Cubic shapes are a popular style element for contemporary facades. The **Kubata** cassette awning blends ideally into these. With its clear design it complements modern architecture perfectly. But the high-quality technology is also impressive: LED spotlights integrated into the cassette, the weinor LongLife arm, convenient control and large choice of fabrics and colours – leaving nothing to be desired.



**Cubic,
clean lines:**
Modern, clear design
with no visible fixings



**Removable
cover caps:**
Easy access for cabling
the controls



**weinor Opti-Flow-System®
and support profile:**
Optimum fabric positioning



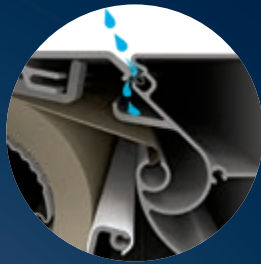
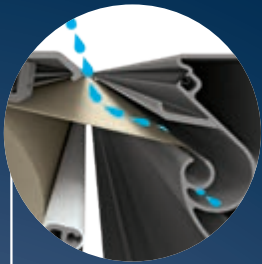
Simple installation
with wall bracket
and carrier bar



Kubata LED:
Integrated
into the cassette



Kubata Highlights



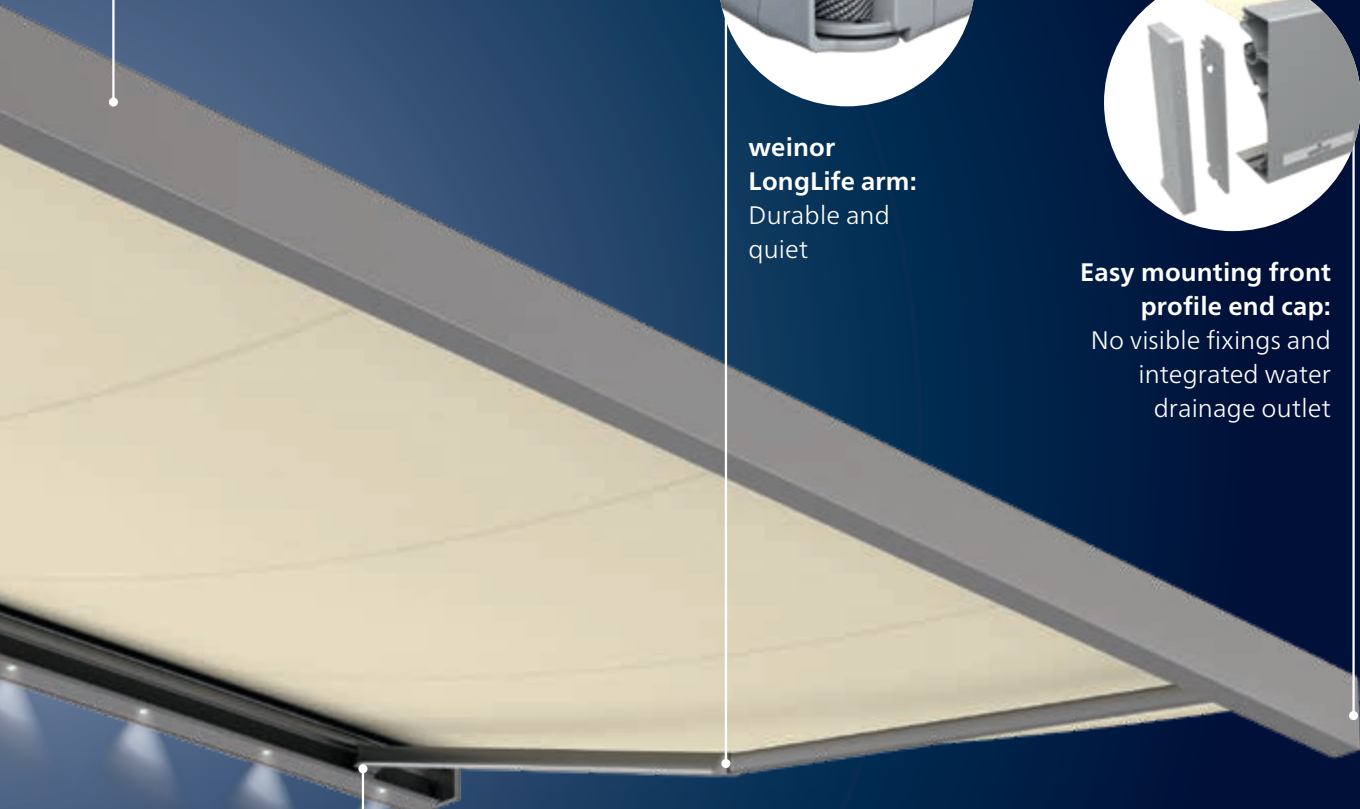
Reliable drainage:
Rainwater is drained off in a controlled way



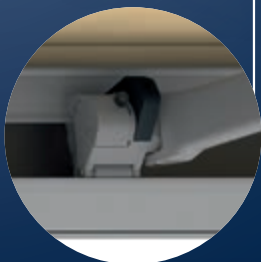
weinor LongLife arm:
Durable and quiet



Easy mounting front profile end cap:
No visible fixings and integrated water drainage outlet



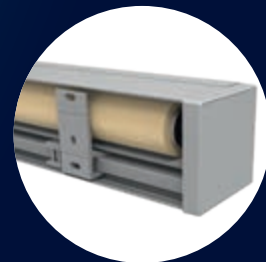
Wind lock safety device:
Well sheltered even in winds



2 versions:



Cassette with back plate



Cassette without back plate

Kubata Benefits



Cubic, clean lines – modern contemporary design

The Kubata's Opti-Flow-System® from weinor is fitted with a support profile across the whole width of the awning that ensures optimum fabric positioning.



Kubata LED – cassette with integrated LED lighting

The LED spotlights integrated into the cassette produce atmospheric lighting on the patio:

- 30,000 LED light hours with lowest energy consumption (85% electricity saving compared to halogen technology)
- Dimmable when used with BiConnect or Somfy io-homecontrol® radio control

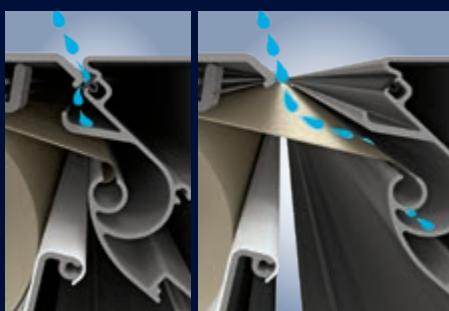


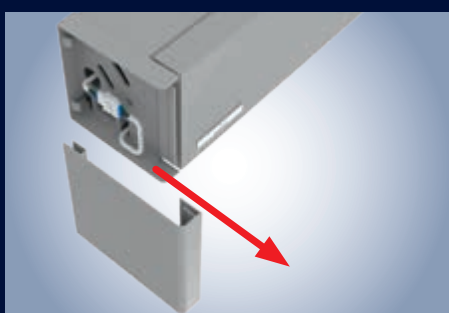
Figure 1

Figure 2

Reliable drainage – rainwater is drained off in a controlled way

Figure 1: Penetrating rainwater is discharged laterally. This protects the cloth from moisture.

Figure 2: If the cloth is retracted in the wet state, the residual water runs off laterally over the channel.



Removable cover caps – easier access for the receiver/cable connections

The cover caps on both sides can be removed using the clip technology. As a result, it is very easy to disconnect the drive and controls and it is easier to carry out maintenance work.



Wind lock safety device – well-sheltered even in winds

Proven technology prevents the awning from lifting up when wind gusts from below:

- Tilting folding arm with wind lock safety device
- Proven, maintenance-free technology
- Forged and extruded aluminium components

Kubata Technology

| Kubata versions | Kubata | Kubata LED |
|---|---|---|
| Technology | | |
| Max. width | 700/650 cm | 700/650 cm |
| Max. projection | 300/400 cm | 300/400 cm |
| Cassette size (W x H) incl. standard bracket | 210 mm x 205 mm | 210 mm x 205 mm |
| Gear drive | <input type="radio"/> (with a max. width of 600 cm/ max. projection of 350 cm) | — |
| Motor drive | <input checked="" type="radio"/> as standard | <input checked="" type="radio"/> as standard |
| Angle of pitch on awning | 5° to 40° | 5° to 40° |
| Installation alternatives | can be installed on walls, ceilings and rafters | |
| LED lighting (separate spotlights) | — | <input checked="" type="radio"/> integrated in bottom profile |
| OptiNut roller tube | <input checked="" type="radio"/> as standard | <input checked="" type="radio"/> as standard |
| LongLife arm | <input checked="" type="radio"/> as standard | <input checked="" type="radio"/> as standard |
| Accessories | | |
| Tempura Quadra heating system | <input type="radio"/> | <input type="radio"/> |
| BiSens Agido-3V product protection sensor | <input type="radio"/> | <input type="radio"/> |
| Controls | | |
| Radio control | <input type="radio"/> | <input type="radio"/> |
| No remote | <input checked="" type="radio"/> | <input checked="" type="radio"/> |
| Weather sensors | | |
| Sun/wind sensor BiConnect BiSens SW-230 V | <input type="radio"/> | <input type="radio"/> |
| Sun/wind sensor solar powered BiConnect BiSens SW-Solar+ | <input type="radio"/> | <input type="radio"/> |
| Sun/wind/rain sensor BiConnect BiSens SWR-230V | <input type="radio"/> | <input type="radio"/> |

Quality

Tested up to wind resistance class 1 according to DIN 13561 (wind strength 5 on the Beaufort scale)

Standard Option — Not available

Weight table

| Width in cm | Projection in cm | | | | | |
|--------------|------------------|-----|-----|-----|-----|-----|
| | 150 | 200 | 250 | 300 | 350 | 400 |
| Weight in kg | | | | | | |
| 200 | 46 | | | | | |
| 250 | 54 | 56 | | | | |
| 300 | 61 | 63 | 66 | | | |
| 350 | 68 | 70 | 74 | 79 | | |
| 400 | 76 | 78 | 81 | 86 | 90 | |
| 450 | 83 | 85 | 88 | 94 | 98 | 106 |
| 500 | 90 | 92 | 96 | 101 | 105 | 114 |
| 550 | 99 | 101 | 105 | 110 | 113 | 122 |
| 600 | 106 | 109 | 113 | 118 | 124 | 130 |
| 650 | 114 | 116 | 120 | 125 | 131 | 137 |
| 700 | 124 | 127 | 130 | 139 | — | — |



Note:

Residual water on the inside, e.g. after a rain shower, can come out of the profiles during extension, even with a time delay.

weinor professional tips: Scan the QR code



or view or download them online at:

www.weinorpartner.com/weinor-professional-tips/kubata now.

Kubata LED



LED lighting – 30,000 hours of lighting with lowest energy consumption

Select LED components for top weinor quality:

- Atmospheric light thanks to special glass lenses
- Visually integrated into the cassette*
- Lighting remains on even when awning is retracted
- Highly energy-efficient
- Operating life of 30,000 hours
- Dimmable when used with BiConnect or Somfy io-homecontrol® radio control
- Easy to service: replace individual LED lights just by dismantling the bottom profile

* Cassette bottom section with integrated LED lights is not assembled.



Integrated LED lighting

| Width in cm | Diagonal in 10 cm steps | | | | | | |
|--------------------------|-------------------------|---------|---------|---------|---------|---------|---------|
| | up to 100 | 110-150 | 160-200 | 250 | 300 | 350 | 400 |
| Number of LED spotlights | | | | | | | |
| up to 200 | 3 | 3 | | | | | |
| 201-250 | 3 - 4 | 3 - 4 | 4 | | | | |
| 251-300 | 4 | 4 | 4 | 4 - 5 | | | |
| 350 | 6 - 7 | 6 - 7 | 6 - 7 | 5 - 7 | 5 - 7 | | |
| 400 | 7 - 8 | 7 - 8 | 7 - 8 | 7 - 8 | 6 - 8 | 6 - 8 | |
| 450 | 8 - 9 | 8 - 9 | 8 - 9 | 8 - 9 | 8 - 9 | 7 - 9 | 7 - 9 |
| 500 | 9 | 9 | 9 | 9 | 9 | 9 | 8 - 10 |
| 550 | 9 - 10 | 9 - 10 | 9 - 10 | 9 - 10 | 9 - 10 | 9 - 10 | 9 - 10 |
| 600 | 10 - 11 | 10 - 11 | 10 - 11 | 10 - 11 | 10 - 11 | 10 - 11 | 10 - 11 |
| 650 | 11 - 12 | 11 - 12 | 11 - 12 | 11 - 12 | 11 - 12 | 11 - 12 | 11 - 12 |
| 700 | 12 | 12 | 12 | 12 | 12 | | |

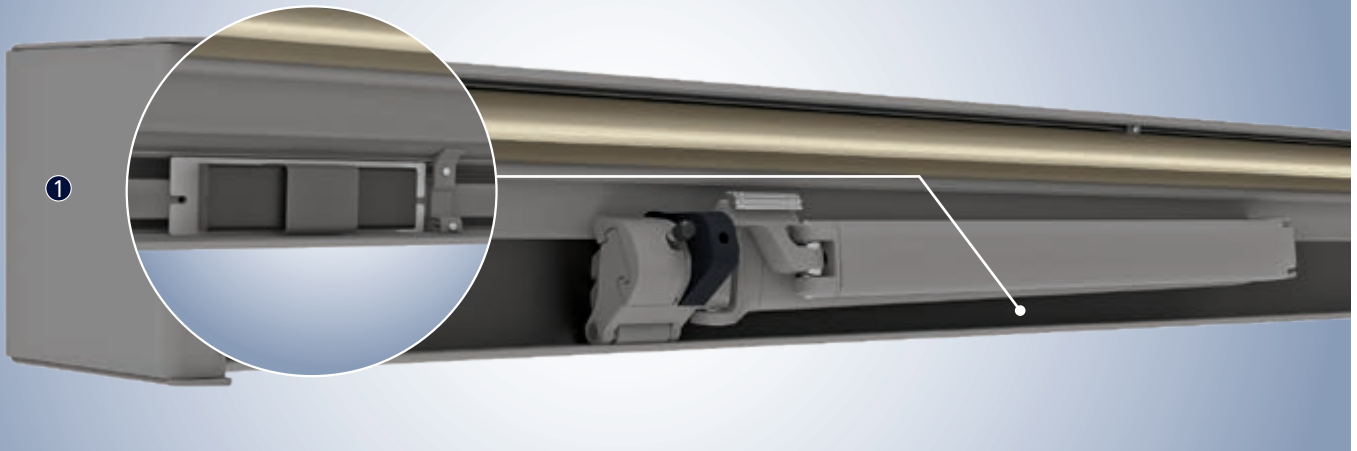
The LED spotlights are distributed automatically depending on the width/projection/ type of bracket.

This table shows the LED distribution with standard arm or bracket positions combined with the 85 mm wall bracket.

Kubata Controls

Easily accessible location for receivers/controls

01



Receiver, power supply pack and further electrical components (e.g. BiConnect receiver in the cassette)

The cover cap ① can be opened for servicing purposes. The drive can be disconnected from the receiver and controlled independently from this.

weinor BiConnect radio technology

| Product | Electronics | BiConnect control | Remote receiver | Transmitter |
|------------------------|-------------------------------|---|-----------------|--|
| Kubata | Kubata drive | <ul style="list-style-type: none"> • BiRec receiver | BiRec MA-K | <ul style="list-style-type: none"> • BiEasy 1M/5M/15M Go! hand transmitter • 1MW-3V wall transmitter |
| Kubata LED | Kubata drive and LED lighting | <ul style="list-style-type: none"> • BiRec combi-receiver for main drive and LED (with integrated power supply pack) • Dimmable LED | BiRec MLED | <ul style="list-style-type: none"> • BiEasy 5M/15M Go! hand transmitter |
| Accessories (optional) | Tempura Quadra heating | <ul style="list-style-type: none"> • Dimmable, additional receiver required • Accommodation of receiver in the design bar provided for this purpose or the Tempura Quadra box | BiRec HD | <ul style="list-style-type: none"> • BiEasy 5M/15M Go! hand transmitter |

Requires: awnings with BiConnect remote control and sensors require a BiEasy 1M, 5M or 15M Go!

Somfy io-homecontrol® radio technology

| Product | Electronics | Somfy io-homecontrol control | Remote receiver | Transmitter |
|------------------------|-------------------------------|--|--|--|
| Kubata | Kubata drive | <ul style="list-style-type: none"> io-homecontrol integrated in remote-controlled motor | Somfy io remote-controlled motor | <ul style="list-style-type: none"> Situo 1 io Pure II/Situo 5 io Pure II/Situo 5 Variation A/M io Pure II hand transmitter Smoove 1 io Pure Shine wall transmitter |
| Kubata LED | Kubata drive and LED lighting | <ul style="list-style-type: none"> io-homecontrol integrated in remote-controlled motor Additional Somfy receiver for the LED spot-lights (with downstream power supply pack) integrated into cassette LED dimmable | Somfy io remote-controlled motor and Lighting Receiver Variation io (dimmable) | <ul style="list-style-type: none"> Situo 5 io Pure II/Situo 5 Variation A/M io Pure II hand transmitter |
| Accessories (optional) | Tempura Quadra heating | <ul style="list-style-type: none"> Dimmable, additional receiver required Accommodation of receiver in the design bar provided for this purpose or the Tempura Quadra box | Heating Receiver Variation io 1.5 kW STAS3/STAK3 (dimmable) | <ul style="list-style-type: none"> Situo 5 io Pure II/Situo 5 Variation A/M io Pure II hand transmitter Smoove 1 io Pure Shine wall transmitter |

Somfy RTS radio technology

| Product | Electronics | Somfy RTS control | Remote receiver | Transmitter |
|------------|-------------------------------|---|---|--|
| Kubata | Kubata drive | <ul style="list-style-type: none"> RTS control integrated in remote-controlled motor | Somfy RTS remote-controlled motor | <ul style="list-style-type: none"> Situo 1 RTS Pure II/Situo 1 Soliris RTS Pure II/Situo 5 RTS Pure II/Situo 5 Soliris RTS Pure II hand transmitter Smoove 1 RTS Pure Shine wall transmitter |
| Kubata LED | Kubata drive and LED lighting | <ul style="list-style-type: none"> RTS control integrated in remote-controlled motor Additional Somfy receiver for the LED spot-lights (with downstream power supply pack) integrated into cassette LED not dimmable | Somfy RTS remote-controlled motor and RTS lighting receiver | <ul style="list-style-type: none"> Situo 5 RTS Pure II/Situo 5 Soliris RTS Pure II hand transmitter |



Note:

Please see the "Accessories" technical brochure for further details regarding the drive and control.

Some options are subject to a surcharge. For prices, please refer to the weinor awnings price list.

Hard wired with Somfy control

| Product | Electronics | Firmly wired Somfy control | Controls |
|------------------------|-------------------------------|---|--|
| Kubata | Kubata drive | <ul style="list-style-type: none"> Somfy control for awning drive | e.g. Soliris Smooove Uno |
| Kubata LED | Kubata drive and LED lighting | <ul style="list-style-type: none"> Somfy control for awning drive Switch on site for the LED spotlights LED power supply pack integrated into the cassette LED not dimmable | e.g. Soliris Smooove Uno and suitable light switch (on site) |
| Accessories (optional) | Tempura Quadra heating | <ul style="list-style-type: none"> Not dimmable | Suitable switch (on site) |

Hard wired (switch/control on site)

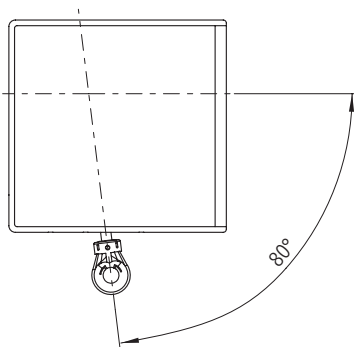
| Product | Electronics | Hard wired control | Controls |
|------------------------|-------------------------------|---|---|
| Kubata | Kubata drive | <ul style="list-style-type: none"> Awning switch for the awning drive | e.g. Double rocker switches (on site) |
| Kubata LED | Kubata drive and LED lighting | <ul style="list-style-type: none"> Awning switch for the awning drive Switch on site for the LED spotlights LED power supply pack integrated into the cassette LED not dimmable | e.g. Double rocker switch and suitable light switch (on site) |
| Accessories (optional) | Tempura Quadra heating | <ul style="list-style-type: none"> Not dimmable | Suitable switch (on site) |

Gear drive (optional)



The Kubata can of course be extended and retracted using a gear handle too (with a max. width of 600 cm/max. projection of 350 cm). This option is recommended whenever it is hard to connect to an electrical power source on the site or if the awning is not frequently used.

- The Kubata has a universal bevel gear system
- Tested according to DIN EN 14203
- Freewheel device when extended

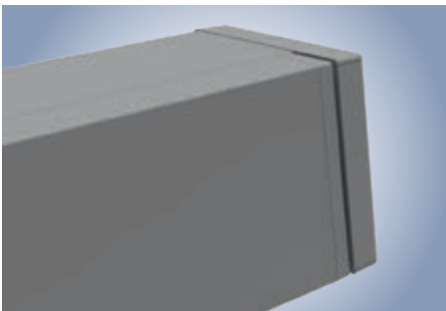


Standard gear outlet

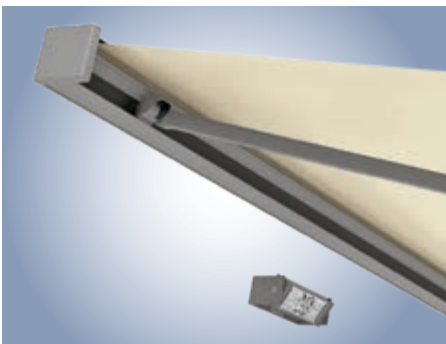
Regulating the front profile



Two stop eccentric tappets are installed on each side of the Kubata. They are used to regulate or adjust the closing position. This gives the awning cassette a visually harmonious overall look.



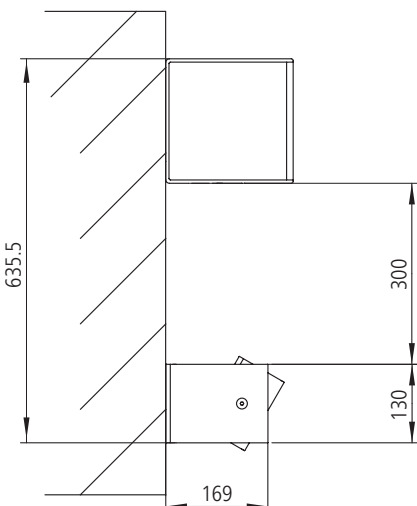
Tempura Quadra heating system (option)



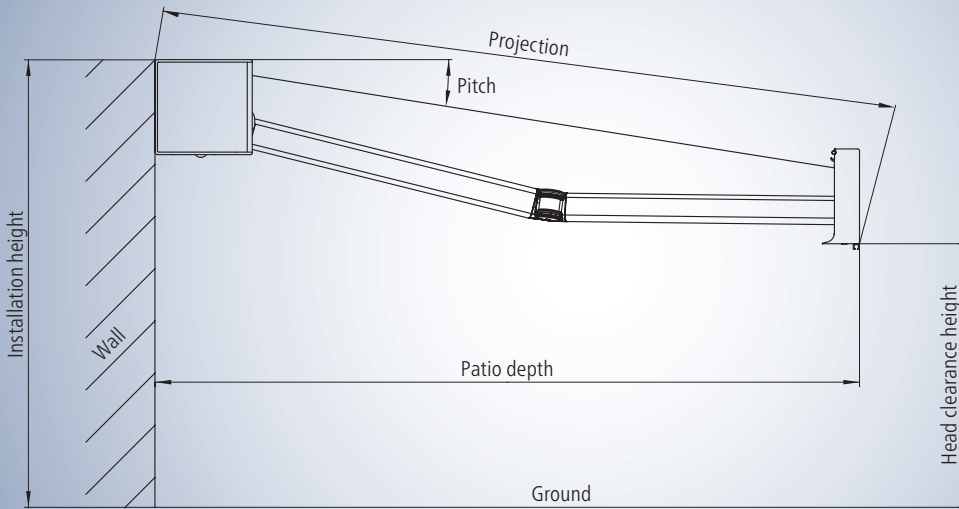
The perfect combination: Kubata with Tempura Quadra heating system and BiConnect*

Please note:

The Tempura Quadra angle of pitch is restricted to 15° as standard (this restriction is to avoid the wall being heated up too much by the Tempura). The grub screw, which restricts the angle of pitch, can be removed if the Kubata is pitched up to 10° at the most. Then it is possible to adjust the Tempura Quadra's angle of pitch up to 30°.



Kubata Planning



Site measurements – determining the projection and head clearance height

- Find the projection by looking in the “Projection” table for the terrace depth.
- Using the projection from the table and the required angle of inclination, consult the “head clearance height” table for the head clearance height. This head clearance height refers to an installation height of 300 cm.
- Add/subtract the difference between 300 cm and the actual installation height to/from the head clearance height in the table.

Determining the projection

| Pitch angle | Patio depth in cm | | | | | |
|-------------|-------------------|-----|-----|-----|-----|-----|
| | 150 | 200 | 250 | 300 | 350 | 400 |
| 5° | 170 | 220 | 270 | 320 | 370 | 400 |
| 15° | 170 | 220 | 270 | 330 | 380 | – |
| 25° | 180 | 240 | 290 | 350 | 400 | – |

Projection in cm (rounded figures)

This table can be used to find the awning projection for any given horizontal patio depth. Please note that the awning projection is possible in 10 cm increments so this has to be rounded up or down.

Determining the head clearance height

| Pitch angle | Projection in cm | | | | | |
|-------------|------------------|-----|-----|-----|-----|-----|
| | 150 | 200 | 250 | 300 | 350 | 400 |
| 5° | 272 | 268 | 263 | 259 | 254 | 250 |
| 15° | 246 | 233 | 220 | 207 | 194 | 181 |
| 25° | 222 | 200 | 179 | 158 | 137 | 116 |

Head clearance height in cm (rounded figures)

This table is used to find the head clearance heights for various projections when the angle of pitch is 5°, 15° or 25°.

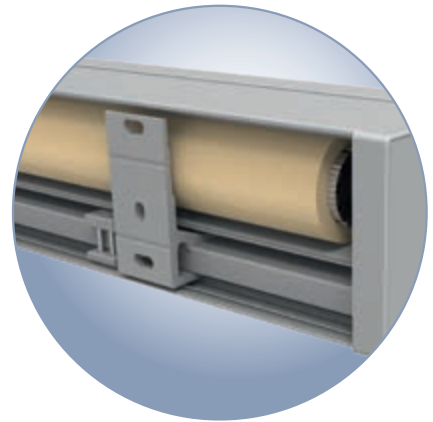
This table is based on the example of an installation height of 300 cm (edge of awning).

Wall bracket

Sizes and bracket recommendations

Wall mounting on pressure-resistant surface

Minimum number of required wall brackets so that the function of the awning is ensured, regardless of the mounting surface. Selection of the brackets using the weinor bracket overview and using the maximum extraction forces of the fixings used!



| Width in cm | Diagonal in 10 cm steps | | | | | | | | | | | | | |
|-------------|-------------------------|---------|---------|---------|-----|-----|-----|-----|---------|-----|-----|-----|-----|---------|
| | up to 150 | 160-200 | 210-250 | 260-300 | | | | | 310-350 | | | | | 360-400 |
| | | | | 260 | 270 | 280 | 290 | 300 | 310 | 320 | 330 | 340 | 350 | |
| up to 200 | 2 | | | | | | | | | | | | | |
| 201-250 | 2 | 2 | | | | | | | | | | | | |
| 251-300 | 2 | 2 | 2 | | | | | | | | | | | |
| 301-350 | 2 | 2 | 2 | 2 | 2 | 2 | 2 | 2 | | | | | | |
| 351-400 | 2 | 2 | 2 | 2 | 2 | 2 | 2 | 2 | 2 | 2 | 2 | 2 | 2 | |
| 401-450 | 2 | 2 | 2 | 2 | 2 | 2 | 2 | 2 | 2 | 2 | 2 | 2 | 2 | 2 |
| 451-500 | 3 | 3 | 3 | 3 | 3 | 3 | 3 | 2+1 | 2+1 | 2+1 | 2+1 | 2+1 | 2+1 | 2+1 |
| 501-550 | 3 | 3 | 3 | 3 | 3 | 3 | 2+1 | 2+1 | 2+1 | 2+1 | 2+1 | 2+1 | 2+1 | 2+1 |
| 551-600 | 3 | 3 | 3 | 3 | 3 | 2+1 | 2+1 | 2+1 | 2+1 | 2+1 | 2+1 | 2+1 | 2+1 | 2+1 |
| 601-650 | 3 | 3 | 3 | 3 | 2+1 | 2+1 | 2+1 | 2+1 | 2+1 | 2+1 | 2+1 | 2+1 | 2+1 | 2+1 |
| 651-700 | 3 | 3 | 3 | 2+1 | 2+1 | 2+1 | 2+1 | 2+1 | | | | | | |

Overlapping possible, observe size limits!

Observe size limits; unit must have X more width than projection:

- in the case of 1 x wall bracket 85 mm or 1 x wall bracket 260 mm per arm: X = 40 cm
- in the case of 2 x wall bracket 85 mm or 1 x wall bracket 295 mm per arm: X = 62 cm
- in the case of 2 x wall bracket 260 per arm: X = 95 cm

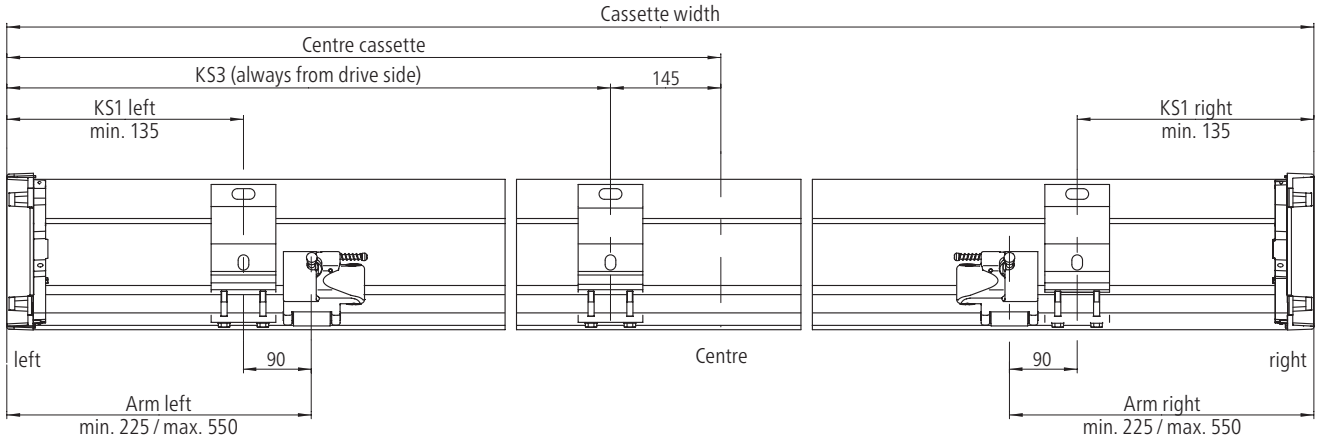
- 2 2x wall bracket 85 mm
- 3 3x wall bracket 85 mm (1 x as a central bracket)
- 2 2x wall bracket 295 mm alternatively: 4x wall bracket 85 mm
- 2 2x wall bracket 260 mm
- 2+1 2x wall bracket 295 mm + 1x wall bracket 85 mm alternatively: 5x wall bracket 85 mm (1 x as a central bracket)

Two brackets per arm required:
see gradations in table!

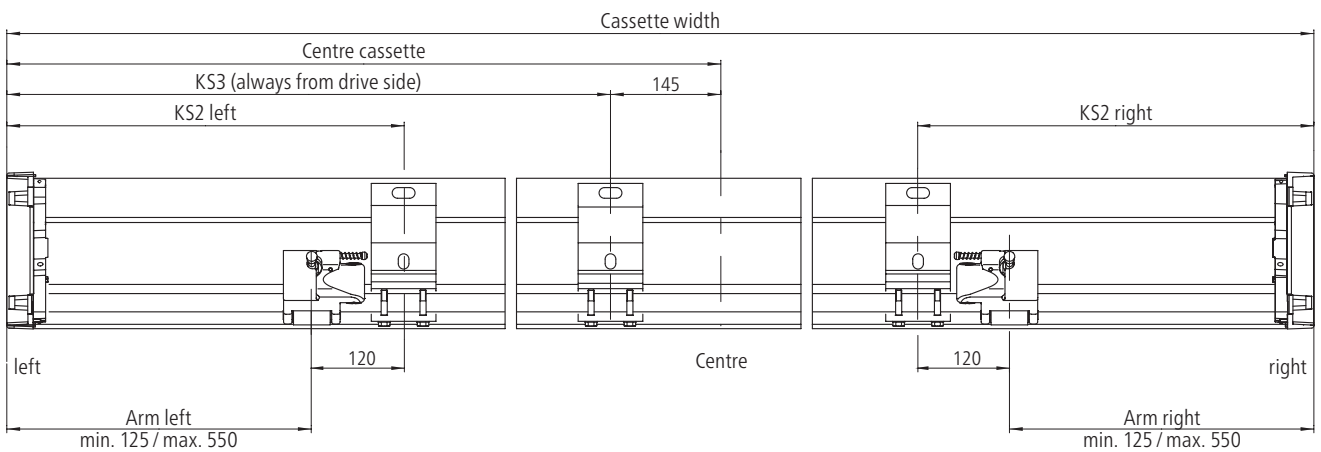
Use of central bracket necessary as of:
width > 450 cm

Position of wall brackets and Kubata cassette

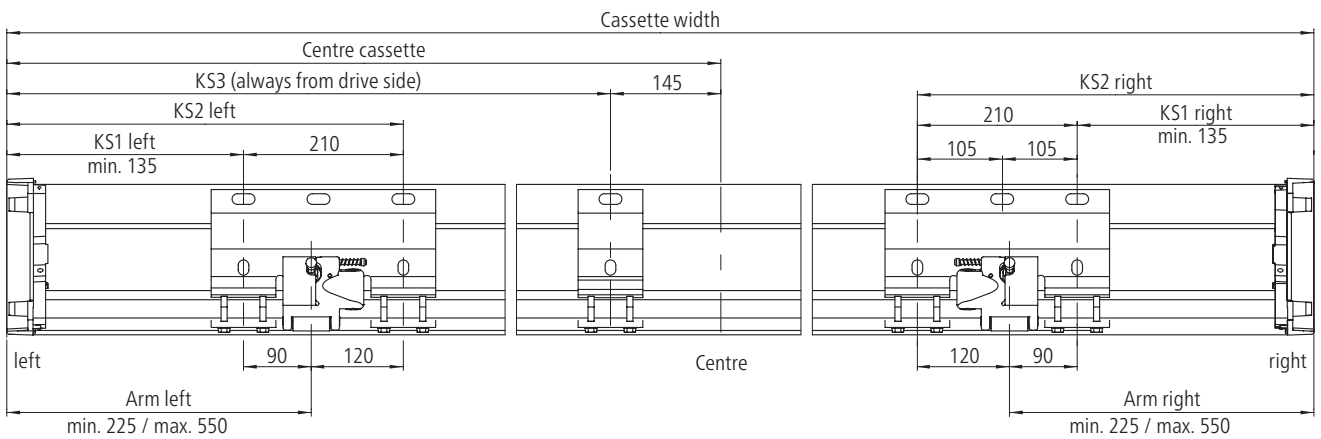
Wall bracket 85 mm outside (KS1)



Wall bracket 85 mm inside (KS2)



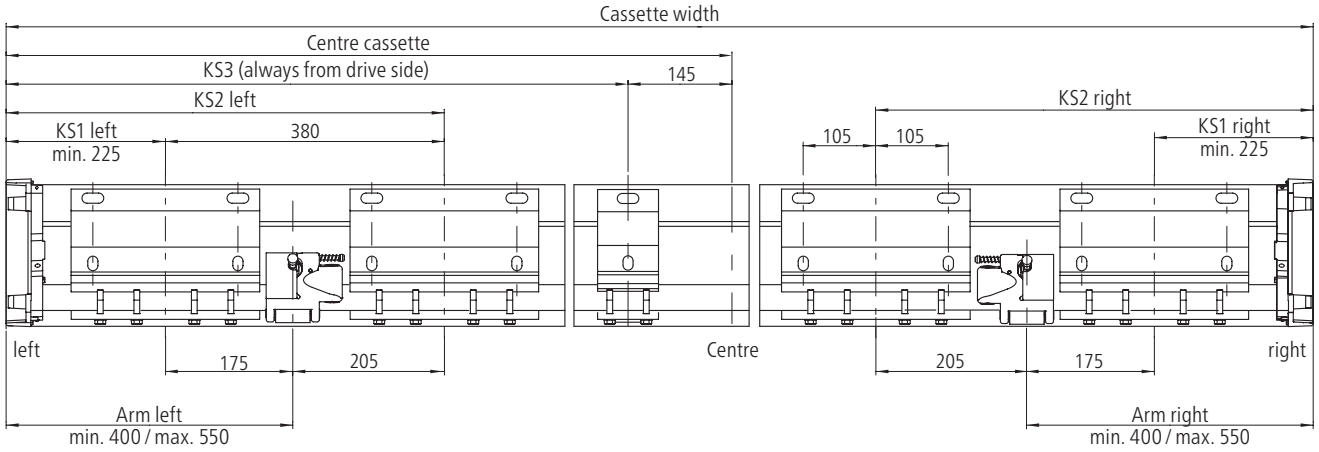
Wall bracket 295 mm



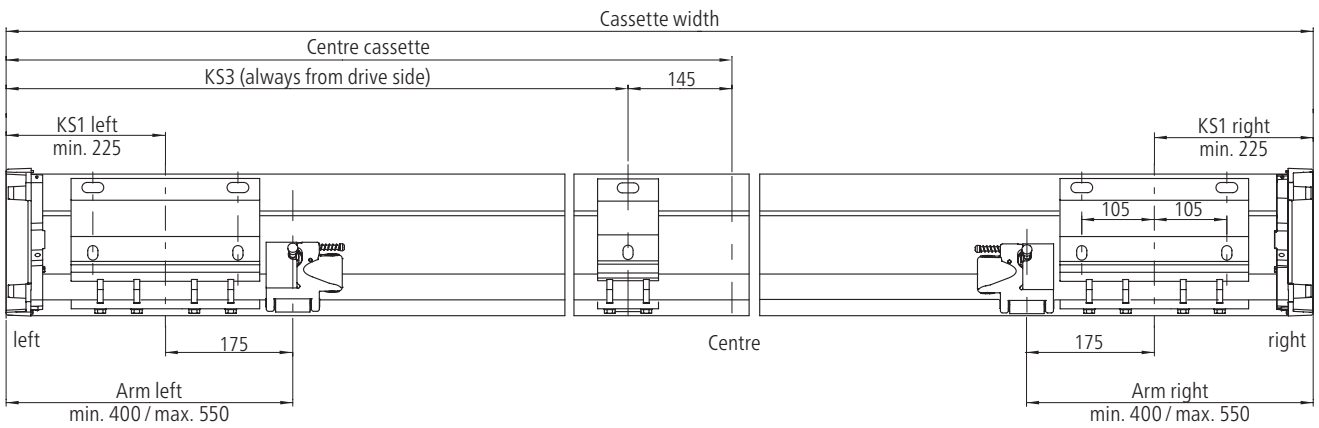
Notes:
 KS1 = outside bracket
 KS2 = inside bracket
 KS3 = centre bracket

Position of wall brackets and Kubata cassette

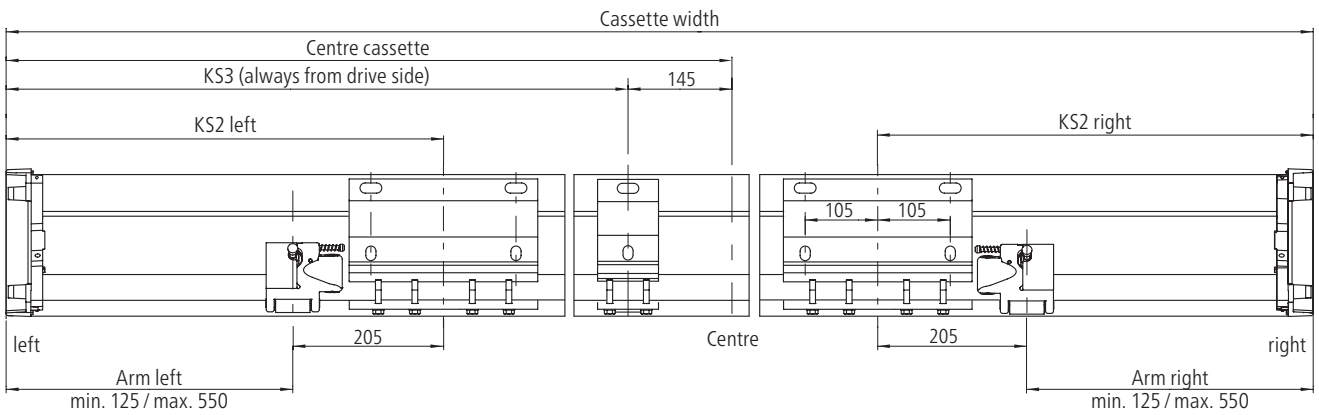
Wall bracket 260 mm on both sides (KS1 and KS2)



Wall bracket 260 mm outside (KS1)



Wall bracket 260 mm inside (KS2)

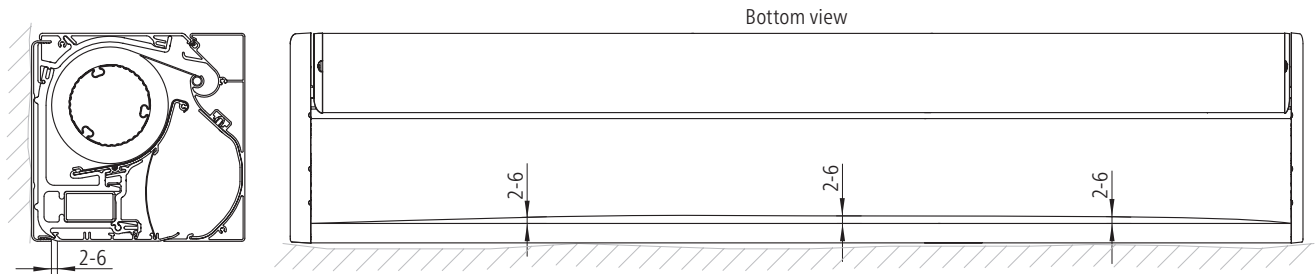


Notes:

- KS1 = outside bracket
- KS2 = inside bracket
- KS3 = centre bracket

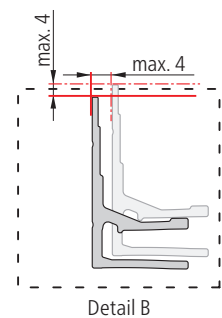
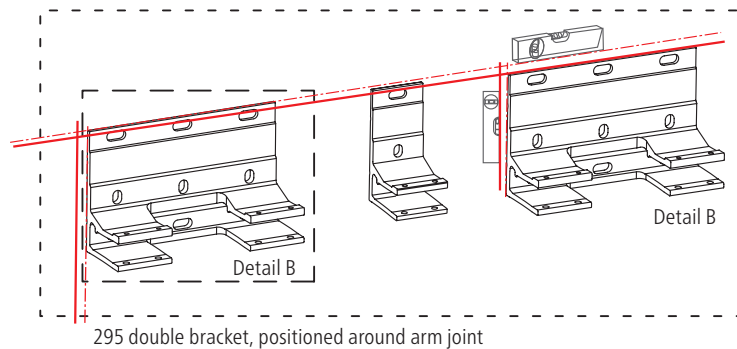
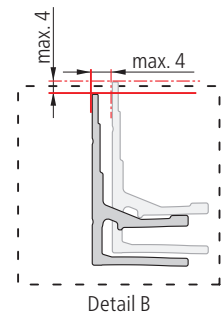
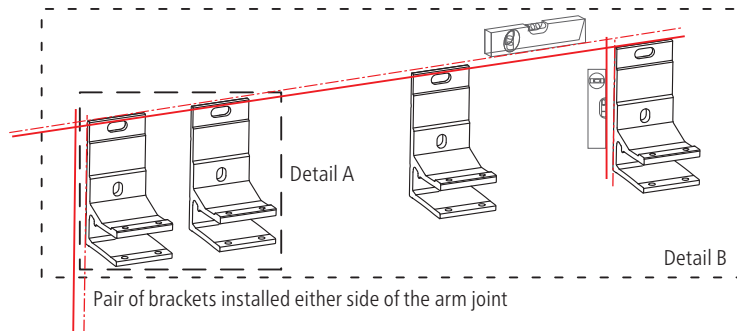
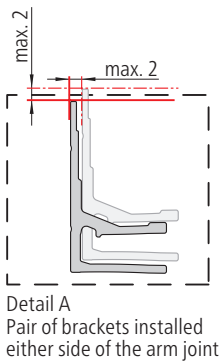
With the LED option only one 260 mm wall bracket per arm is possible.

Installation allowances



House walls are never totally straight. Which is why there is an automatic compensation function between the bottom profile and back plate with the Kubata. Up to 4 mm can be compensated for as a result. This guarantees that the awning cassette is

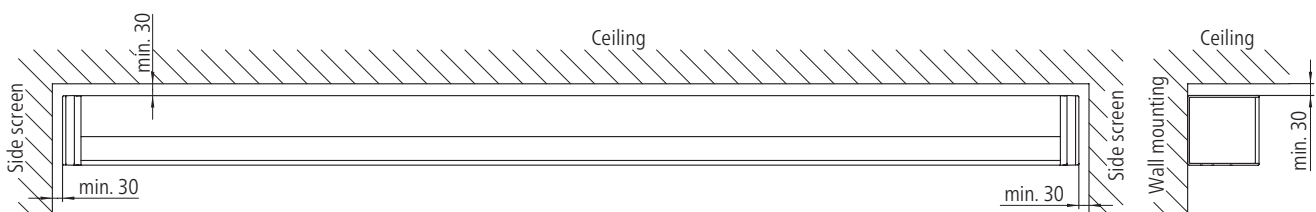
straight and the front profile closes perfectly as a result. A maximum 4 mm shift can be produced on the movable transition between the bottom profile and back plate using this function. It is necessary to align the cassette ideally.



Detail A: The tolerance of the brackets around the arm joint is a maximum of 2 mm.

Detail B: The outer brackets tolerance is a maximum of 4 mm.

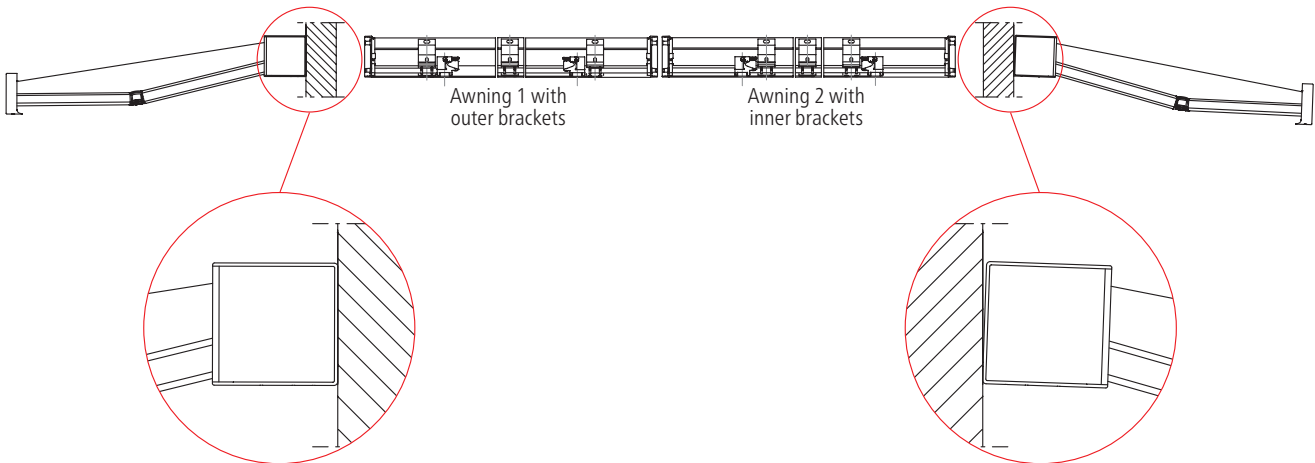
Minimum spacing distances for installation in the niche (wall mounting)



Installation in a row

When installing the Kubata in a row, it should be ensured that the brackets of both awnings are installed either internally or externally. In this way, the housing closes flush onto the wall.

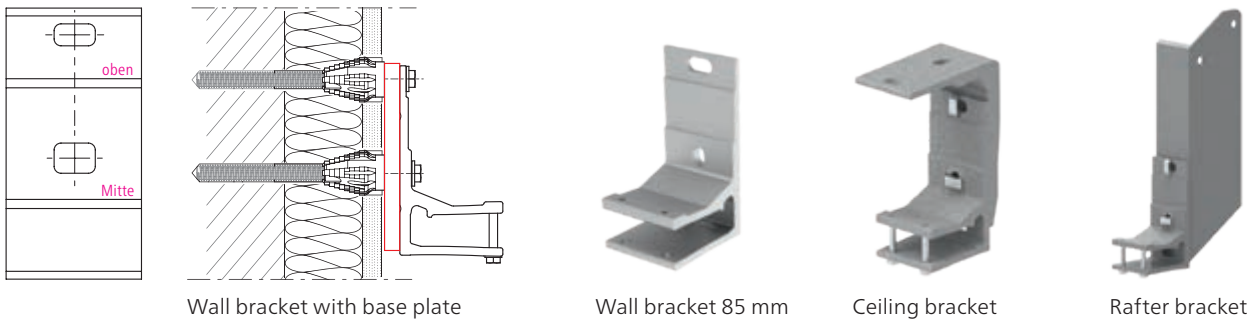
If an awning with inner brackets and one with outer brackets is installed, a slight offset of the housing can occur when retracted, depending on the arm position and the surface.



Mounting on pressure-resistant/non-pressure-resistant surface

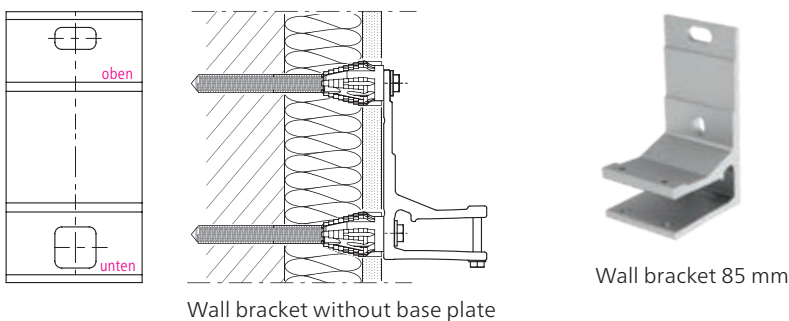
Punched hole A (used when mounting with 100 x 180 x 15 mm base plates)

Punched hole A is the standard version and is used for pressure-resistant surfaces. In combination with the 100 x 180 x 15 mm optional base plates for reinforcement, this version can also be used for non-pressure-resistant surfaces (insulated facades, EIFS).

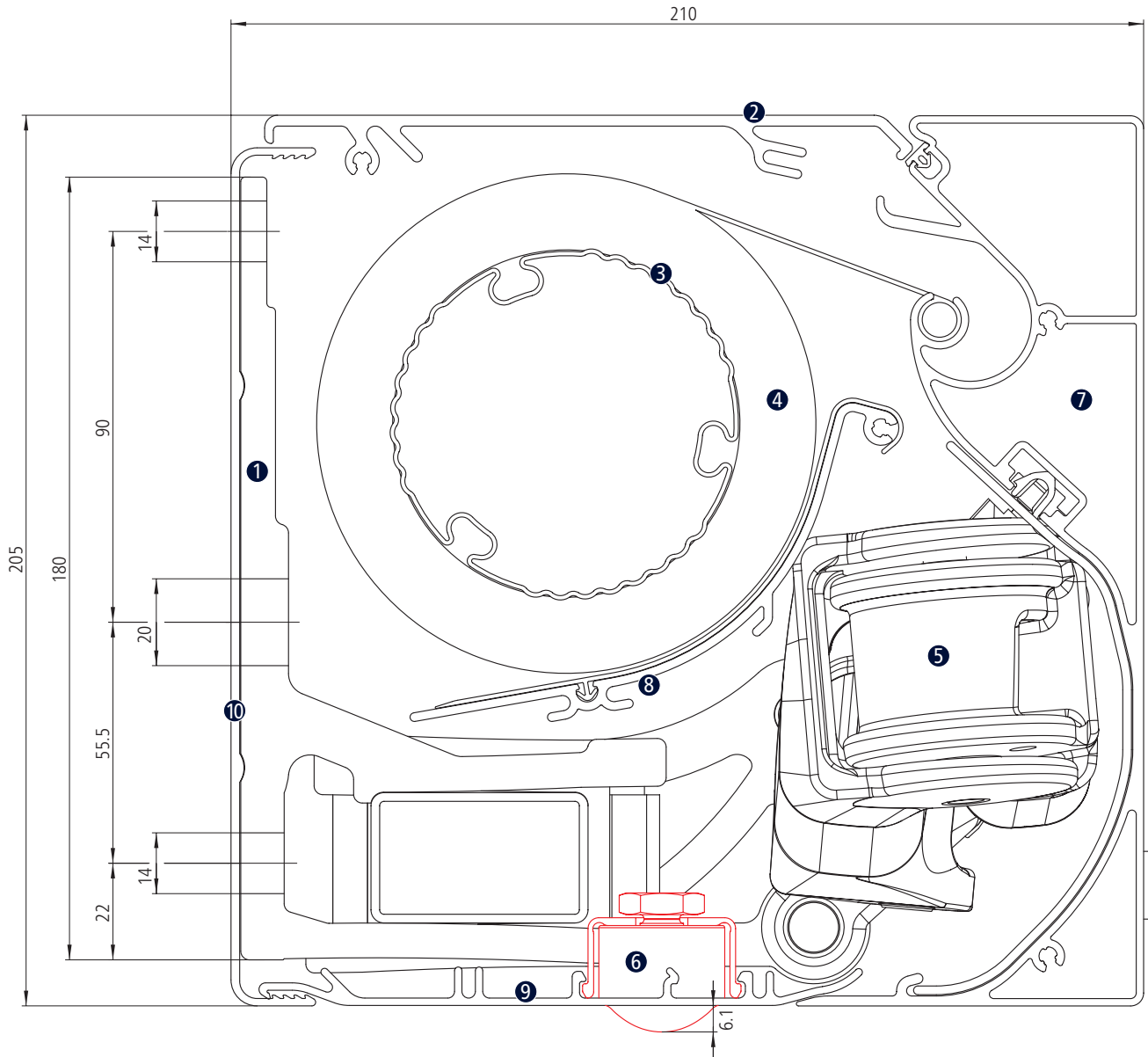


Punched hole B (used when mounting without 100 x 180 x 15 mm base plates)

Punched hole B is required on a non-pressure-resistant surface without 100 x 180 x 15 mm base plate. It is not suitable for mounting ceiling brackets, ceiling angles, rafter brackets and mounting plates.

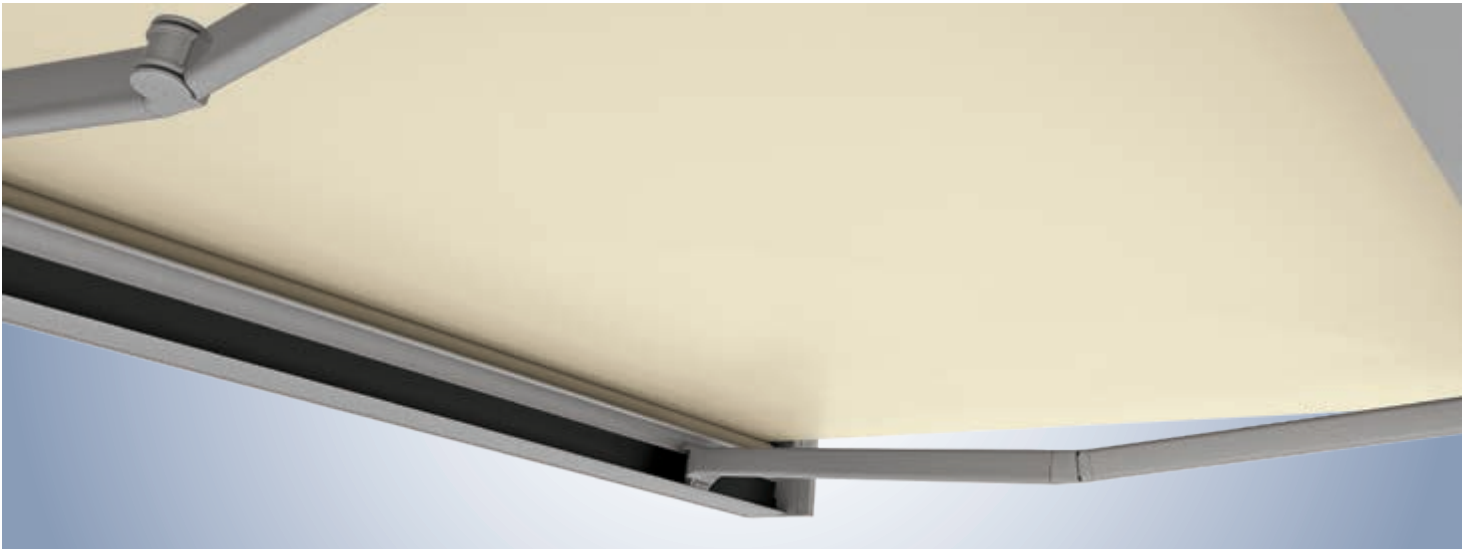


Kubata LED



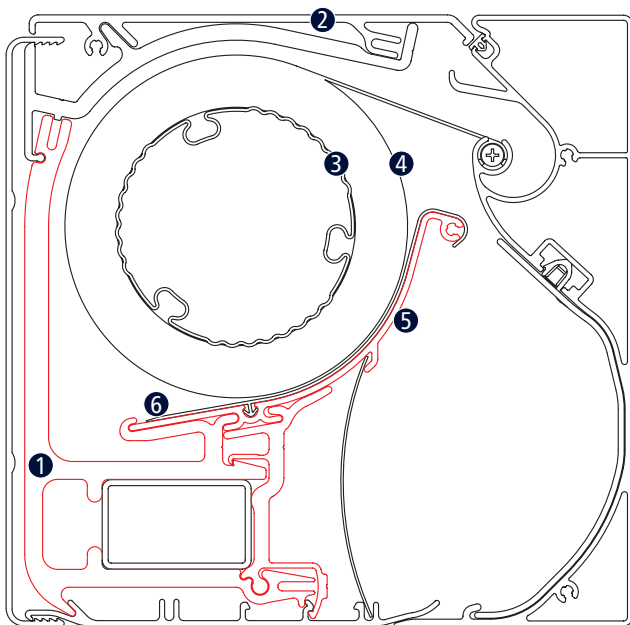
- ① Wall bracket
- ② Roof profile
- ③ Fabric roller bearing
- ④ Fabric rolls
- ⑤ Spring-tensioned arm
- ⑥ LED spotlight
- ⑦ Front profile
- ⑧ Support profile
- ⑨ Bottom profile
- ⑩ Back profile

Kubata Support Profile

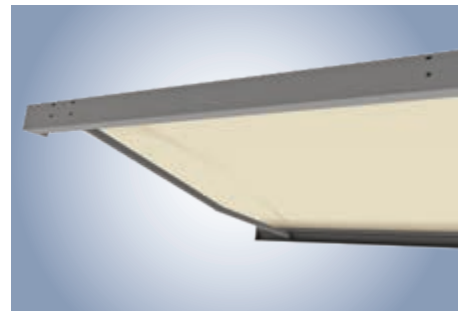


Kubata: support profile across the whole width of the awning

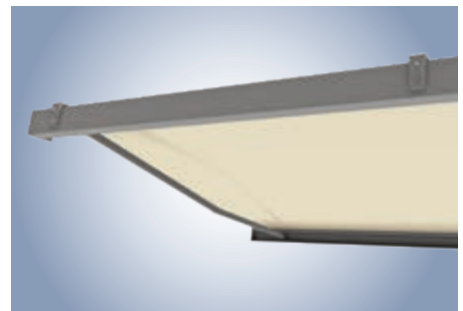
The weinor Opti-Flow-System® and support profile across the whole width of the awning ensure optimum fabric positioning.



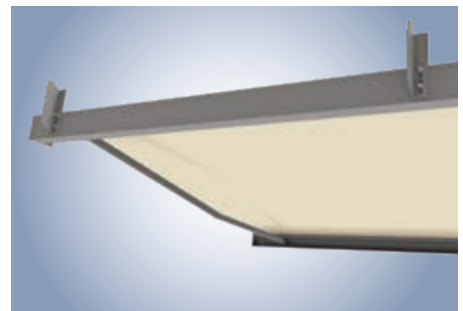
- 1 Housing bracket
- 2 Cassette
- 3 Fabric roller bearing
- 4 Fabric rolls
- 5 Support profile
- 6 Glide profile



Kubata centre bracket: wall mounting (rear view)



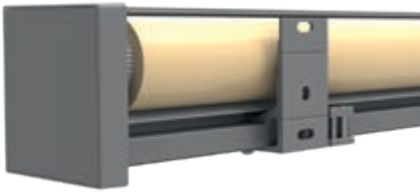
Kubata centre bracket: roof mounting (rear view)



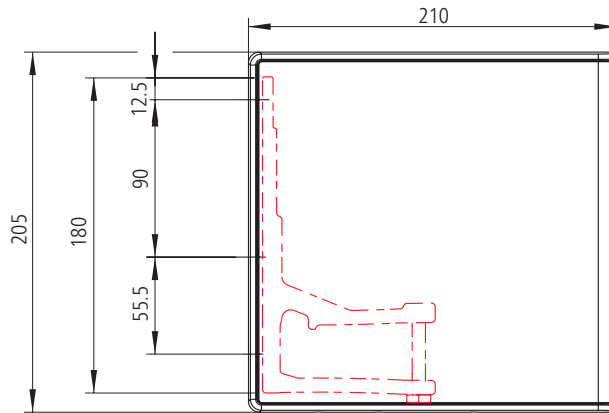
Kubata centre bracket: rafter mounting with rafter bracket (rear view)

Kubata Installation

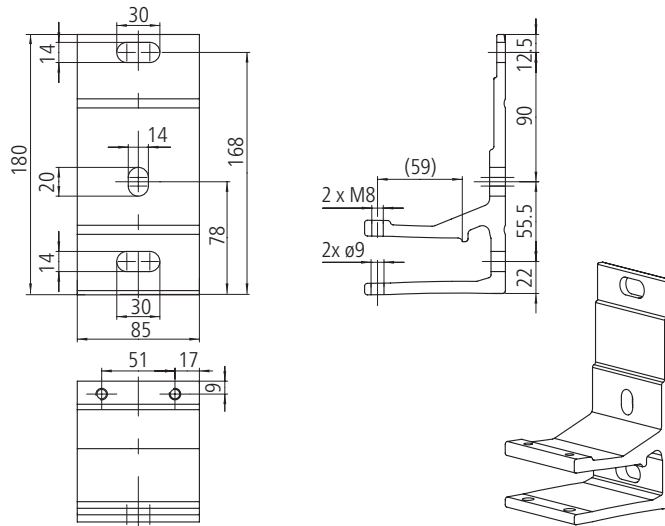
Wall mounting – brackets



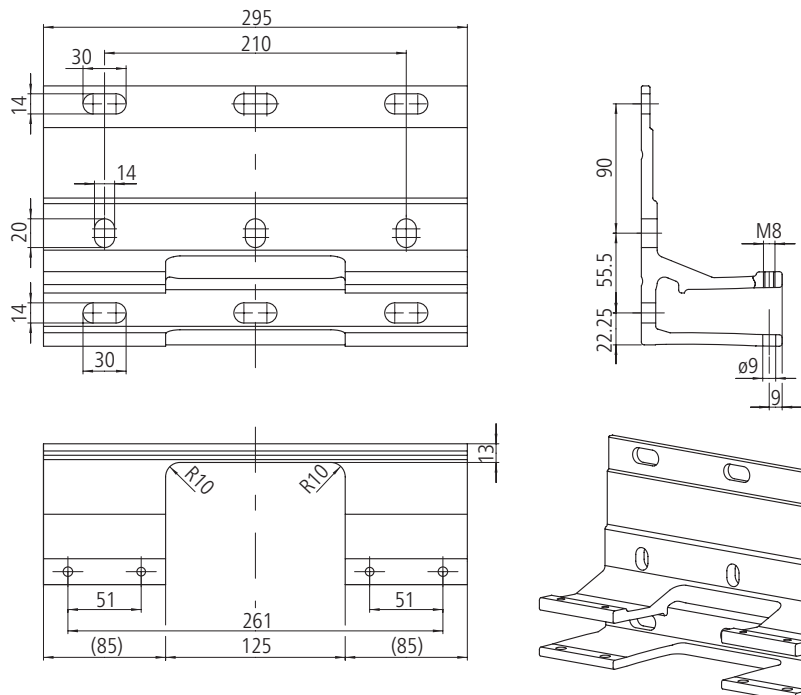
Wall bracket



85 mm wall bracket



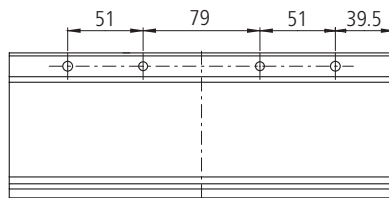
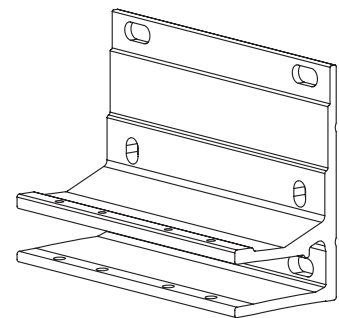
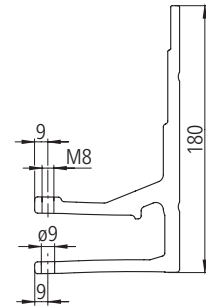
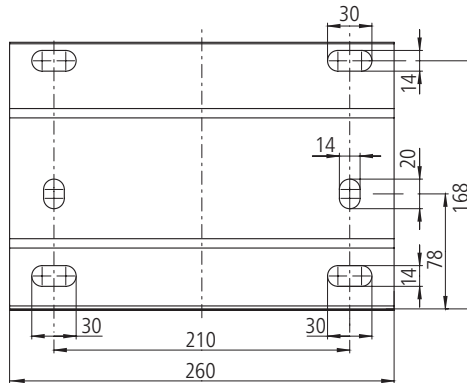
295 mm wall bracket (arm enclosure)



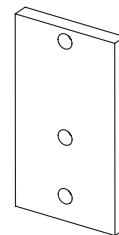
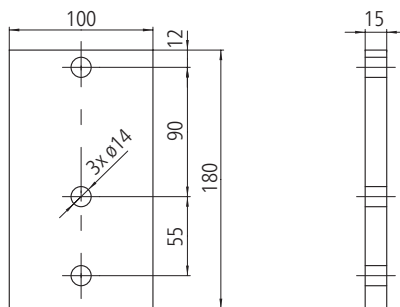
Wall mounting – brackets



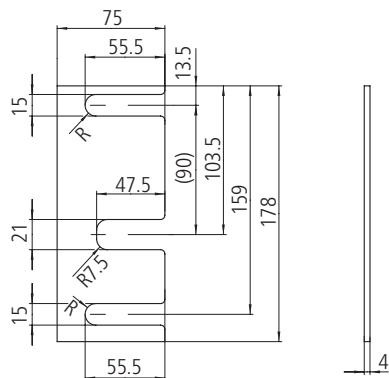
260 mm wall bracket



Baseplate (100 x 180 x 15 mm)



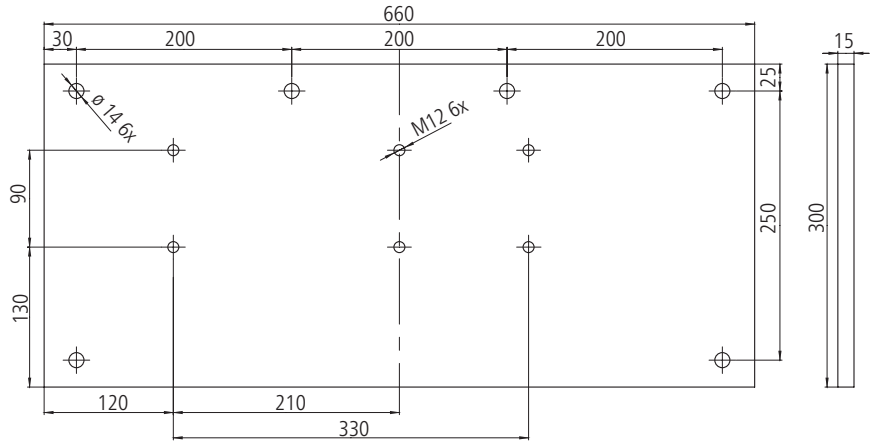
Baseplate (75 x 178 x 4 mm)



Wall mounting – mounting plates



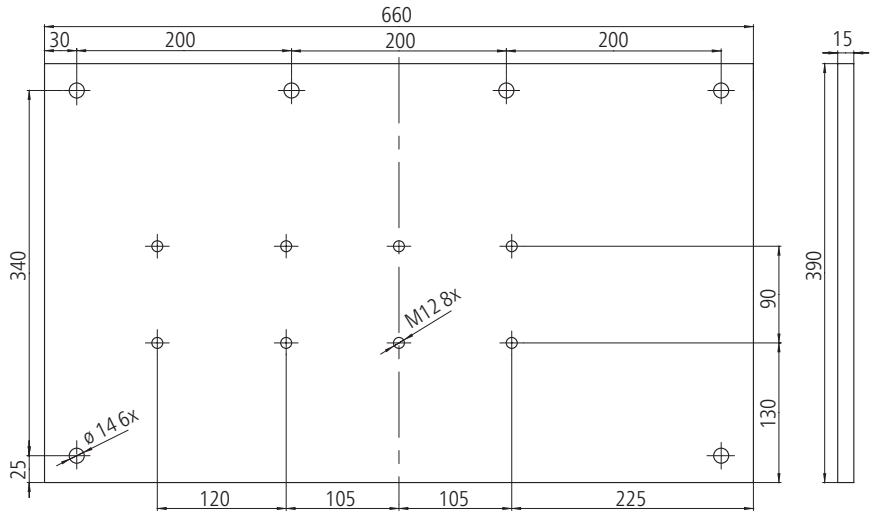
Mounting plate 660 x 300 x 15 mm*



Position of the mounting plates using the Kubata 500 x 300 cm** as an example.



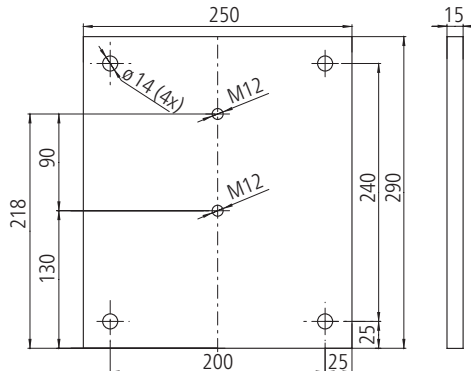
Mounting plate 660 x 390 x 15 mm*



Position of the mounting plates using the Kubata 500 x 300 cm** as an example.



Mounting plate 250 x 290 x 15 mm



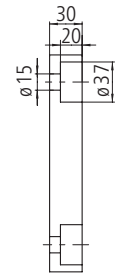
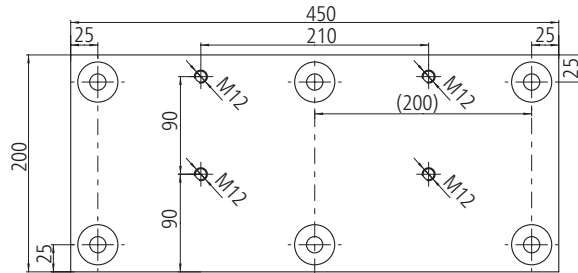
* Mounting plate also possible with 2 wall brackets 85 mm.

** Depending on the width of the awning, the positioning of the mounting plates may vary.

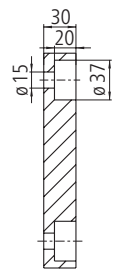
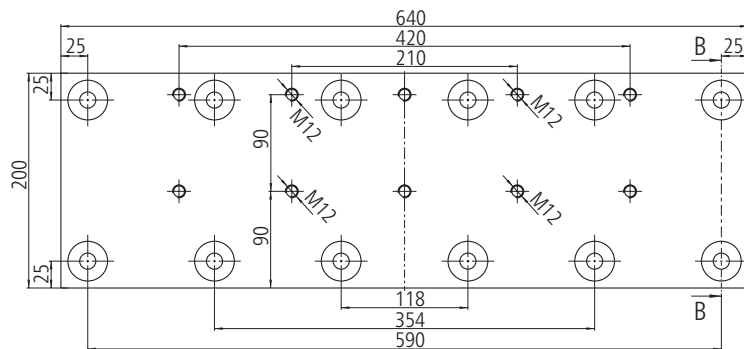
Wall mounting – mounting plates



Mounting plate 450 x 200 x 30 mm*



Position of the mounting plates using the Kubata 500 x 300 cm** as an example.



Mounting plate 640 x 200 x 30 mm*



Position of the mounting plates using the Kubata 500 x 300 cm** as an example.

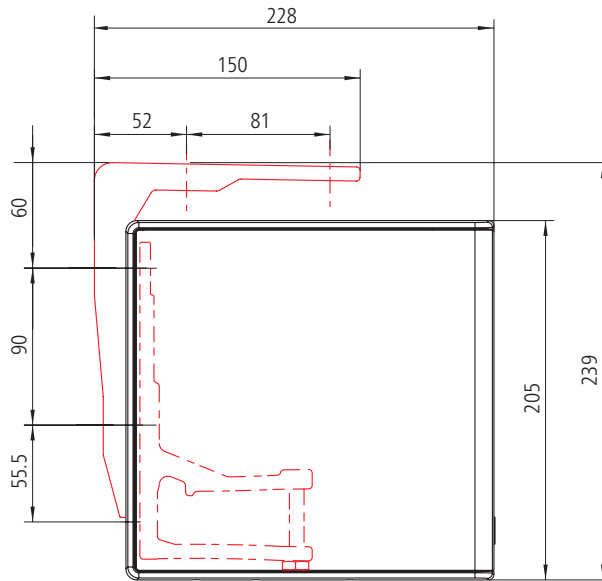
* Mounting plate also possible with 2 wall brackets 85 mm.

** Depending on the width of the awning, the positioning of the mounting plates may vary.

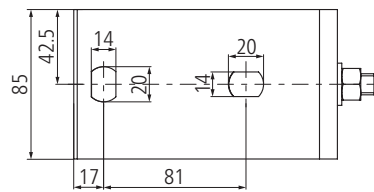
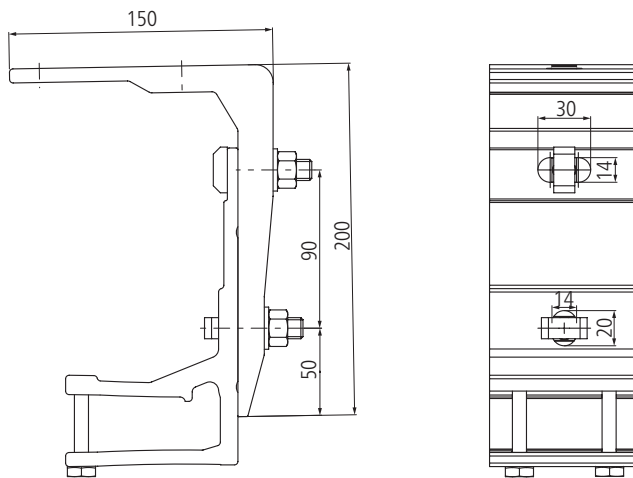
Ceiling mounting



Ceiling bracket



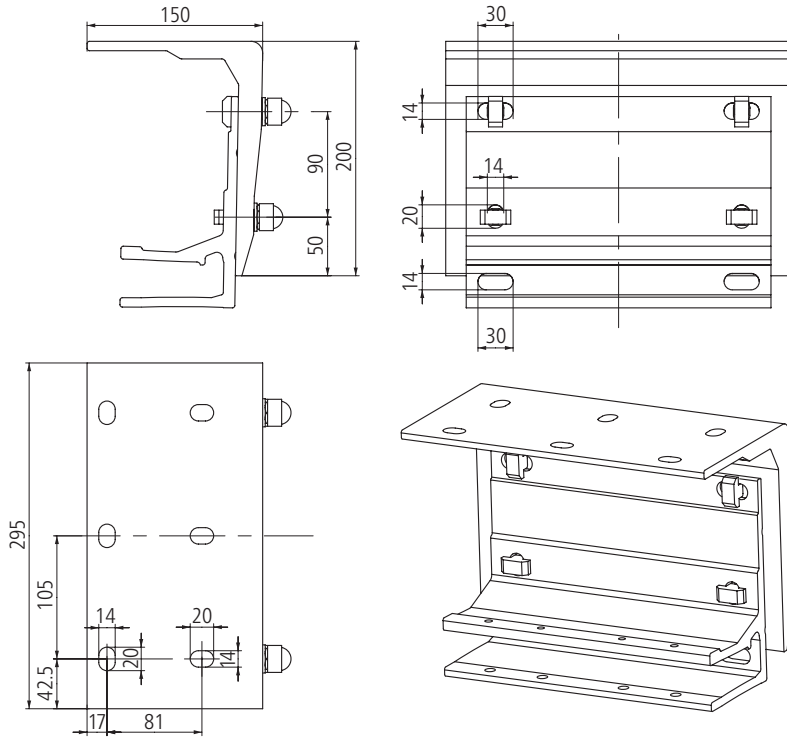
Ceiling bracket



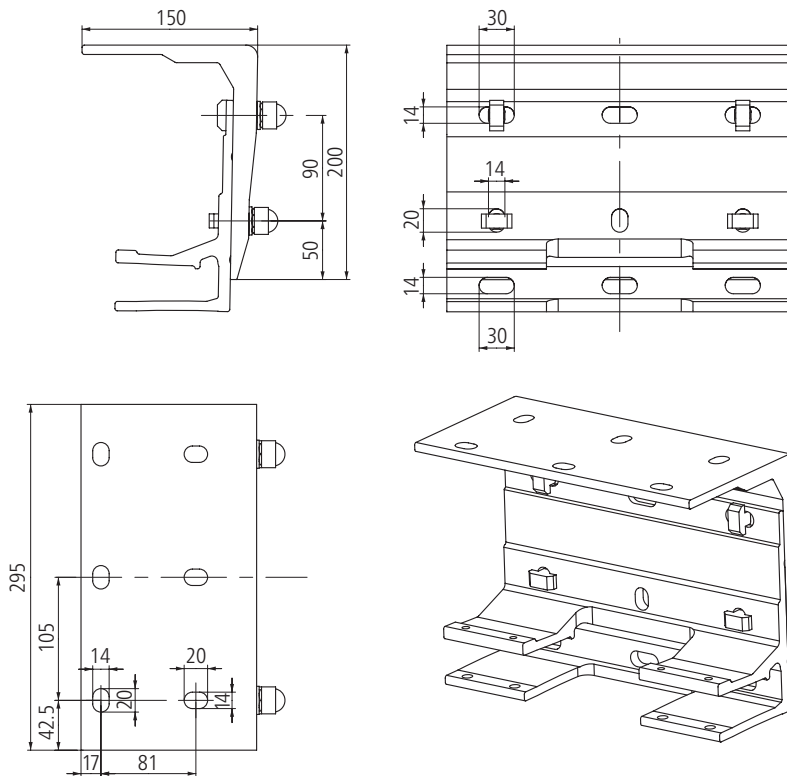
Ceiling mounting



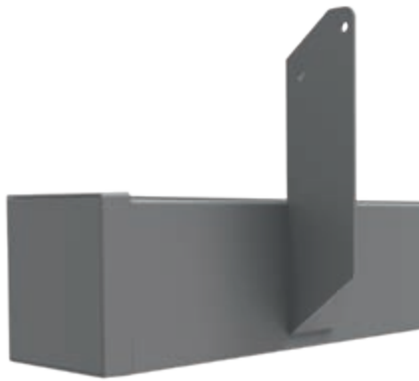
Ceiling bracket 295 mm with wall bracket 260 mm



Ceiling bracket 295 mm with wall bracket 295 mm



Rafter mounting



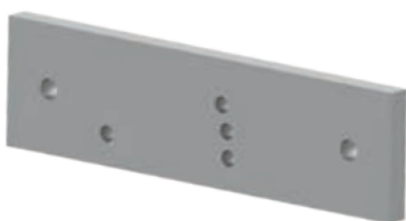
Rafter bracket



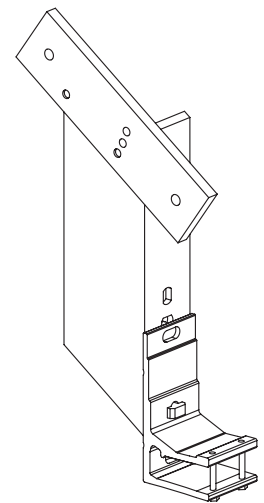
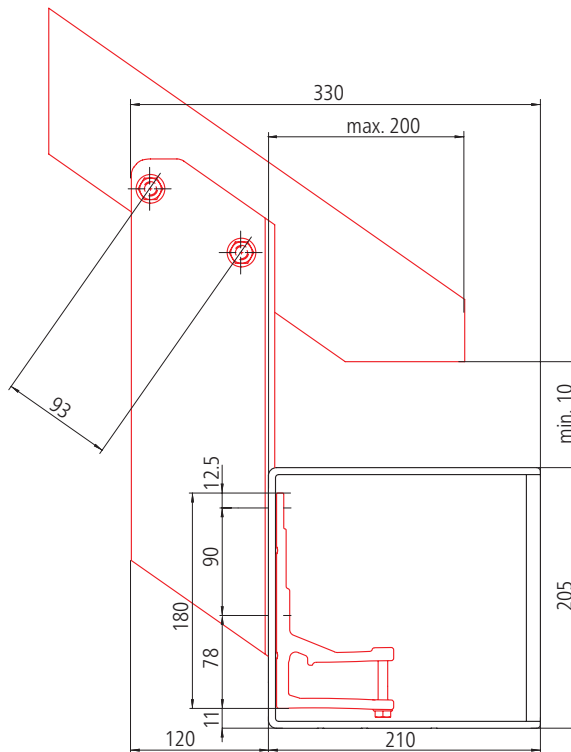
Rafter bracket and wall bracket, without mounting plate



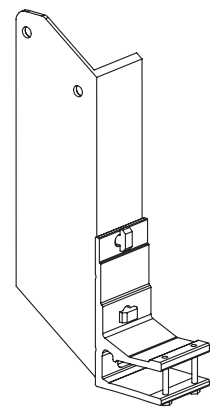
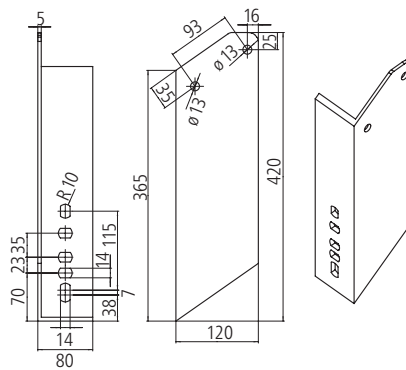
Rafter bracket (right)



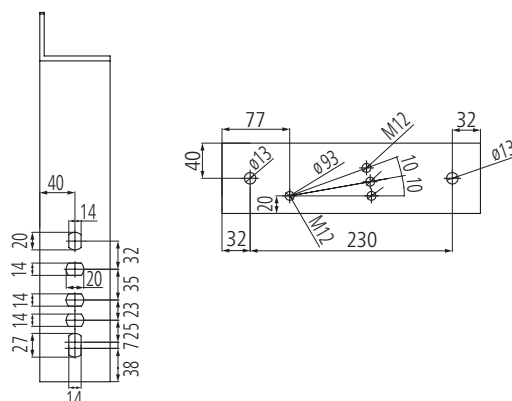
Mounting plate for 294 x 80 x 15 mm rafter bracket



Rafter bracket with mounting plate
weinor recommends using a mounting plate for rafter brackets



Rafter bracket without mounting plate



Extraction forces

The extraction force is the force with which the awning weight and the wind load pull on each upper and/or front fixing. The tables indicate this force in N per upper fixing. It varies depending on the awning size and the wall bracket / mounting plate used.

Selecting the wall bracket and anchoring system:

1. Consult relevant table for extraction force per fixing for selected awning size.
2. Select a wall bracket / mounting plate for which there is fixing material which can resist the indicated extraction force. Remember to take into account the spacing, the area which will be damaged if the fixing breaks out, the type of fixing material used and the mounting base.

Use the separate bracket overview for an exact planning of the awning attachment.

Extraction force in N per upper fixing for wall mounting

Brackets **without** mounting plates

Wall mounting with up to 200 mm facing (non-pressure-resistant surface)

Please observe the width to projection dimension limits for number of brackets per arm, as the width to projection ratio decreases when two brackets are used per arm.

- 1 x wall bracket 85 mm per arm or
2 x wall bracket 85 mm per arm
Number of fixings:
4 or 8
- 1 x wall bracket 260 mm per arm or
2 x wall bracket 260 mm per arm
Number of fixings:
8 or 16
- 1 x wall bracket 295 mm per arm
Number of fixings: 12

Please note:

from a width of 451 cm additional 1 x wall bracket 85 mm as centre bracket is required. This means an additional 2 fixings will be required always.

Taking the width to projection dimension limits into account, two brackets can also be used per arm instead of one bracket per arm.

Here, the indicated extraction force halves!

Does not apply to red-bordered cells and 295 mm wall bracket!

In the event of installation on a pressure-resistant surface, the indicated extraction force decreases (see bracket overview)

| Width in cm | Projection in cm | | | | | |
|-------------|------------------|------|------|------|------|------|
| | 150 | 200 | 250 | 300 | 350 | 400 |
| 200 | 1564 | | | | | |
| | 782 | | | | | |
| | 521 | | | | | |
| 250 | 1854 | 2710 | | | | |
| | 927 | 1355 | | | | |
| | 618 | 903 | | | | |
| 300 | 2145 | 3134 | 4330 | | | |
| | 1073 | 1567 | 2165 | | | |
| | 715 | 1045 | 1443 | | | |
| 350 | 2436 | 3559 | 4909 | 6549 | | |
| | 1218 | 1779 | 2455 | 3274 | | |
| | 812 | 1186 | 1636 | 2183 | | |
| 400 | 2727 | 3984 | 5489 | 7305 | 4603 | |
| | 1364 | 1992 | 2745 | 3653 | 2302 | |
| | 909 | 1328 | 1830 | 2435 | 3069 | |
| 450 | 3018 | 4408 | 6069 | 8062 | 5081 | 7089 |
| | 1509 | 2204 | 3035 | 4031 | 2540 | 3545 |
| | 1006 | 1469 | 2023 | 2687 | 3387 | 4726 |
| 500 | 3309 | 4833 | 6649 | 4409 | 6199 | 7762 |
| | 1654 | 2416 | 3324 | 2205 | 3099 | 3881 |
| | 1103 | 1611 | 2216 | 2939 | 4132 | 5175 |
| 550 | 3600 | 5257 | 7229 | 4787 | 6742 | 8435 |
| | 1800 | 2629 | 3614 | 2394 | 3371 | 4217 |
| | 1200 | 1752 | 2410 | 3192 | 4495 | 5623 |
| 600 | 3890 | 5682 | 7809 | 5743 | 7286 | 9107 |
| | 1945 | 2841 | 3904 | 2871 | 3643 | 4554 |
| | 1297 | 1894 | 2603 | 3828 | 4857 | 6072 |
| 650 | 4181 | 6107 | 8388 | 6170 | 7829 | 9780 |
| | 2091 | 3053 | 4194 | 3085 | 3915 | 4890 |
| | 1394 | 2036 | 2796 | 4114 | 5219 | 6520 |
| 700 | 4472 | 6531 | 9928 | 6598 | | |
| | 2236 | 3266 | 4964 | 3299 | | |
| | 1491 | 2177 | 3309 | 4399 | | |



Extraction forces

Extraction force in N per upper fixing for wall mounting

Brackets **with** mounting plates

Wall mounting with up to 200 mm facing (non-pressure-resistant surface)

Please observe the width to projection dimension limits for number of brackets per arm, as the width to projection ratio decreases when two brackets are used per arm.

- 1 x mounting plate 250 x 290 x 15 mm incl. 1 x wall bracket 85 mm per arm
Number of fixings: 8
- 1 x mounting plate 450 x 200 x 30 mm incl. 1 x wall bracket 85 mm per arm
or
- 1 x mounting plate 450 x 200 x 30 mm incl. 2x wall bracket 85 mm per arm
Number of fixings: 12
- 1 x mounting plate 640 x 200 x 30 mm incl. 1 x wall bracket 85 mm per arm
or
- 1 x mounting plate 640 x 200 x 30 mm incl. 2x wall bracket 85 mm per arm
Number of fixings: 24
- 1 x mounting plate 660 x 300 x 15 mm incl. 1 x wall bracket 85 mm per arm
or
- 1 x mounting plate 660 x 300 x 15 mm incl. 2x wall bracket 85 mm per arm
Number of fixings: 12
- 1 x mounting plate 660 x 390 x 15 mm incl. 1 x wall bracket 85 mm per arm
or
- 1 x mounting plate 660 x 390 x 15 mm incl. 2x wall bracket 85 mm per arm
Number of fixings: 12

Please note:

- from a width of 451 cm additional
 - for mounting plates with a thickness of **15 mm**
1 x wall bracket 85 mm incl.
1 x shim plate 100 x 180 x 15 mm as central bracket required.
 - for mounting plates with a thickness of **30 mm**
1 x wall bracket 85 mm incl.
2 x shim plate 100 x 180 x 15 mm as central bracket required.
- This means an additional 2 fixings will be required always.

Taking the width to projection dimension limits into account, two brackets can also be used per arm instead of one bracket per arm.

Does not apply to 250 x 290 x 15 mm mounting plate! This has no impact on the extraction force!

In the case of red-bordered cells, the bracket sub-assemblies are equipped with two brackets per arm.

| Width in cm | Projection in cm | | | | | |
|-------------|------------------|------|------|------|------|------|
| | 150 | 200 | 250 | 300 | 350 | 400 |
| 200 | 148 | | | | | |
| | 320 | | | | | |
| | 160 | | | | | |
| | 142 | | | | | |
| | 105 | | | | | |
| 250 | 176 | 257 | | | | |
| | 380 | 553 | | | | |
| | 190 | 276 | | | | |
| | 169 | 246 | | | | |
| | 124 | 181 | | | | |
| 300 | 204 | 297 | 409 | | | |
| | 439 | 639 | 880 | | | |
| | 220 | 320 | 440 | | | |
| | 195 | 285 | 393 | | | |
| | 144 | 209 | 289 | | | |
| 350 | 231 | 337 | 464 | 618 | | |
| | 499 | 726 | 998 | 1329 | | |
| | 249 | 363 | 499 | 664 | | |
| | 222 | 323 | 446 | 594 | | |
| | 163 | 238 | 328 | 436 | | |
| 400 | 259 | 377 | 519 | 690 | | |
| | 558 | 812 | 1116 | 1482 | 1865 | |
| | 279 | 406 | 558 | 741 | 932 | |
| | 248 | 362 | 498 | 662 | 834 | |
| | 183 | 266 | 366 | 487 | 613 | |
| 450 | 286 | 417 | 574 | 761 | | |
| | 618 | 899 | 1234 | 1636 | 2058 | 2869 |
| | 309 | 449 | 617 | 818 | 1029 | 1434 |
| | 275 | 401 | 551 | 731 | 920 | 1284 |
| | 202 | 295 | 405 | 537 | 677 | 944 |
| 500 | 314 | 457 | 628 | | | |
| | 677 | 985 | 1352 | 1789 | 2512 | 3141 |
| | 339 | 493 | 676 | 894 | 1256 | 1571 |
| | 301 | 439 | 603 | 799 | 1123 | 1405 |
| | 222 | 323 | 444 | 588 | 826 | 1033 |
| 550 | 341 | 498 | 683 | | | |
| | 737 | 1072 | 1469 | 1942 | 2732 | 3413 |
| | 368 | 536 | 735 | 971 | 1366 | 1707 |
| | 328 | 478 | 656 | 868 | 1221 | 1527 |
| | 241 | 351 | 482 | 638 | 898 | 1123 |
| 600 | 369 | 538 | 738 | | | |
| | 796 | 1158 | 1587 | 2331 | 2952 | 3685 |
| | 398 | 579 | 794 | 1165 | 1476 | 1843 |
| | 354 | 516 | 709 | 1041 | 1320 | 1649 |
| | 260 | 380 | 521 | 766 | 971 | 1212 |
| 650 | 397 | 578 | 793 | | | |
| | 856 | 1245 | 1705 | 2504 | 3172 | 3957 |
| | 428 | 622 | 853 | 1252 | 1586 | 1979 |
| | 381 | 555 | 761 | 1119 | 1418 | 1771 |
| | 280 | 408 | 560 | 823 | 1043 | 1302 |
| 700 | 424 | 618 | 938 | | | |
| | 915 | 1331 | 2019 | 2678 | | |
| | 458 | 666 | 1009 | 1339 | | |
| | 407 | 593 | 901 | 1196 | | |
| | 299 | 436 | 662 | 880 | | |

In the event of installation on a pressure-resistant surface, the indicated extraction force decreases (see bracket overview)

Extraction forces

Extraction force in N per front fixing for ceiling mounting

Please observe the width to projection dimension limits for number of brackets per arm, as the width to projection ratio decreases when two brackets are used per arm.

- 1 x ceiling bracket 85 mm incl.
1 x wall bracket 85 mm per arm
or
- 2 x ceiling bracket 85 mm incl.
2 x wall bracket 85 mm per arm
Number of fixings:
4 or 8
- 1 x ceiling bracket 295 mm incl.
1 x wall bracket 260 mm per arm
or
- 2 x ceiling bracket 295 mm incl.
2 x wall bracket 260 mm per arm
Number of fixings:
12 or 24
- 1 x ceiling bracket 295 mm incl.
1 x wall bracket 295 mm per arm
Number of fixings: 12

Please note:
from a width of 451 cm additional
 1 x ceiling bracket 85 mm incl.
 1 x wall bracket 85 mm required.
 This means an additional 2 fixings will be required always.

Taking the width to projection dimension limits into account, two brackets can also be used per arm instead of one bracket per arm.

Here, the indicated extraction force halves!

Does not apply to red-bordered cells and combination of wall bracket 295 mm with ceiling bracket 295 mm!

| Width in cm | Projection in cm | | | | | |
|-------------|------------------|------|------|------|------|------|
| | 150 | 200 | 250 | 300 | 350 | 400 |
| 200 | 1175 | | | | | |
| | 399 | | | | | |
| | 399 | | | | | |
| 250 | 1388 | 1996 | | | | |
| | 470 | 673 | | | | |
| 300 | 1601 | 2303 | 3155 | | | |
| | 541 | 775 | 1059 | | | |
| | 541 | 775 | 1059 | | | |
| 350 | 1814 | 2611 | 3573 | 4745 | | |
| | 612 | 878 | 1199 | 1589 | | |
| | 612 | 877 | 1198 | 1589 | | |
| 400 | 2027 | 2918 | 3991 | 5289 | 3331 | |
| | 683 | 980 | 1338 | 1770 | 1118 | |
| | 683 | 980 | 1337 | 1770 | 2224 | |
| 450 | 2240 | 3226 | 4409 | 5832 | 3673 | 5099 |
| | 754 | 1083 | 1477 | 1952 | 1232 | 1707 |
| | 754 | 1082 | 1477 | 1951 | 2453 | 3403 |
| 500 | 2375 | 3454 | 4745 | 3167 | 4433 | 5553 |
| | 814 | 1174 | 1604 | 1068 | 1490 | 1864 |
| | 813 | 1173 | 1604 | 2120 | 2964 | 3711 |
| 550 | 2582 | 3755 | 5156 | 3437 | 4820 | 6032 |
| | 884 | 1275 | 1743 | 1159 | 1620 | 2024 |
| | 883 | 1275 | 1742 | 2301 | 3222 | 4031 |
| 600 | 2789 | 4057 | 5568 | 4103 | 5206 | 6511 |
| | 954 | 1377 | 1881 | 1381 | 1749 | 2184 |
| | 954 | 1377 | 1881 | 2745 | 3480 | 4351 |
| 650 | 2996 | 4358 | 5980 | 4407 | 5593 | 6990 |
| | 1024 | 1479 | 2020 | 1483 | 1878 | 2344 |
| | 1024 | 1478 | 2019 | 2948 | 3738 | 4670 |
| 700 | 3203 | 4659 | 7042 | 4711 | | |
| | 1094 | 1580 | 2375 | 1584 | | |
| | 1094 | 1580 | 2374 | 3151 | | |



F = force

Shear forces

Shear forces in N per fixing for rafter mounting

Please observe the width to projection dimension limits for number of brackets per arm, as the width to projection ratio decreases when two brackets are used per arm.

Rafter brackets are available as both left and right handed

- 1x rafter bracket incl.
1x wall bracket 85 mm per arm
or
- 2x rafter bracket incl.
2x wall bracket 85 mm per arm
Applies to two brackets per arm on a rafter.
or
- 2x rafter bracket incl.
2x wall bracket 85 mm per arm
Applies to two brackets per arm, each with separate rafters.
- 1x rafter bracket with
1x mounting plate incl.
1x wall bracket 85 mm per arm
or
- 2x rafter bracket with
2x mounting plate incl.
2x wall bracket 85 mm per arm
Applies to two brackets per arm on a rafter.
or
- 2x rafter bracket with
2x mounting plate incl.
2x wall bracket 85 mm per arm
Applies to two brackets per arm, each with separate rafters.

Please note:
from a width of 451 cm additional
1x rafter bracket incl.
1x wall bracket 85 mm
as central bracket required.

Taking the width to projection dimension limits into account, two brackets can also be used per arm instead of one bracket per arm.

Here, the indicated extraction force halves!

Applies only in the case of two brackets per arm on separate rafters respectively! If two brackets per arm are mounted on one rafter, the shear force does not decrease!

weinor recommends the use of rafter brackets with mounting plate!

In the case of rafter mounting, the fixings are included in the order.

| Width in cm | Projection in cm | | | | | |
|-------------|------------------|------|------|-------|-------|-------|
| | 150 | 200 | 250 | 300 | 350 | 400 |
| 200 | 1635 | | | | | |
| | 746 | | | | | |
| 250 | 1932 | 2762 | | | | |
| | 876 | 1215 | | | | |
| 300 | 2230 | 3188 | 4348 | | | |
| | 1007 | 1398 | 1870 | | | |
| 350 | 2527 | 3615 | 4924 | 6515 | | |
| | 1138 | 1581 | 2114 | 2762 | | |
| 400 | 2824 | 4042 | 5501 | 7262 | 8992 | |
| | | | | | 4496 | |
| | 1269 | 1765 | 2358 | 3076 | 3712 | |
| 450 | | | | | 1856 | |
| | 3122 | 4468 | 6077 | 8009 | 9922 | 13803 |
| | | | | | 4961 | 6901 |
| 500 | | | | | 4094 | 5666 |
| | | | | | 2047 | 2833 |
| | 1400 | 1948 | 2602 | 3389 | | |
| 550 | | | | | 12059 | 15082 |
| | 3342 | 4815 | 6572 | 8604 | 4302 | 6029 |
| | | | | | 3550 | 4948 |
| 600 | | | | | 6173 | 8193 |
| | | | | | 1775 | 2474 |
| | 1454 | 2052 | 2765 | 3550 | 4948 | 6173 |
| 650 | | | | | 3086 | 4086 |
| | 3633 | 5236 | 7143 | 9340 | 13114 | 16387 |
| | | | | | 4670 | 6557 |
| 700 | | | | | 8193 | 10845 |
| | 1579 | 2229 | 3003 | 3852 | 5379 | 6705 |
| | | | | | 1926 | 2689 |
| 750 | | | | | 3352 | 4411 |
| | 3924 | 5656 | 7713 | 11187 | 14169 | 17691 |
| | | | | | 5593 | 7084 |
| 800 | | | | | 8845 | 11596 |
| | 1704 | 2406 | 3241 | 4603 | 5810 | 7237 |
| | | | | | 2301 | 2905 |
| 850 | | | | | 3618 | 4723 |
| | 4216 | 6077 | 8283 | 12018 | 15224 | 18996 |
| | | | | | 6009 | 7612 |
| 900 | | | | | 9498 | 12499 |
| | 1829 | 2584 | 3479 | 4944 | 6241 | 7769 |
| | | | | | 2472 | 3120 |
| 950 | | | | | 3884 | 5066 |
| | 4507 | 6497 | 9776 | 12850 | | |
| | | | | | 6425 | |
| 1000 | | | | | | |
| | 1954 | 2761 | 4090 | 5284 | | |
| | | | | 2642 | | |

