

AWNINGS PERGOLAS

CATALOGUE **UK**



gaviota
The Sun & Shutter Specialists

Company History

Gaviota
The Sun & Shutter Specialists

A constantly expanding company

The history of Gaviota begins in 1968 with the founding of the company Forjas del Vinalopó in the province of Alicante (Spain), which is recognised in the production of tools and accessories for awnings. Today, Gaviota is a globally recognised company specialising in outdoor solutions, including bioclimatic systems, pergolas, awnings, panoramic glazing, and garden furniture. They are developed by a qualified team of over 500 individuals who share a common commitment to research and customer satisfaction, keeping up with the latest technological advancements. Gaviota's growth is founded on international expansion. Currently, the company distributes products in over 78 countries worldwide. It owns eight state-of-the-art production facilities and several branches, strategically located in Italy, Romania, France, Portugal, Lebanon, Morocco, Mexico, Dominican Republic, United Kingdom, Colombia, Uruguay, and Brazil.

Folding arm awnings

M1 Premium
M1 Premium Plus



08

Kyma



10

Indie



14

Concept



16

Aland



20

Drop arms

Desert



26

Screen Nexus



28

Canopies

Dutch



32

Wedge



34

Pergolas

Pergo Arco



36

Pergo Classic/S



38

Pergo Clima /S



42

Gemini



46

Uve



48

M1 PREMIUM M1 PREMIUM PLUS



A versatile system suitable for various spaces, perfect for spending time with your family in the open area

KYMA

Multi-arm solar protection awnings with remarkable features that create an unique environment



INDIE



A compact box with a sophisticated design, ideal for small spaces

CONCEPT



Characterised by an elegant and slim box, defined by spherical and refined shapes that blend beauty and harmony into a single system

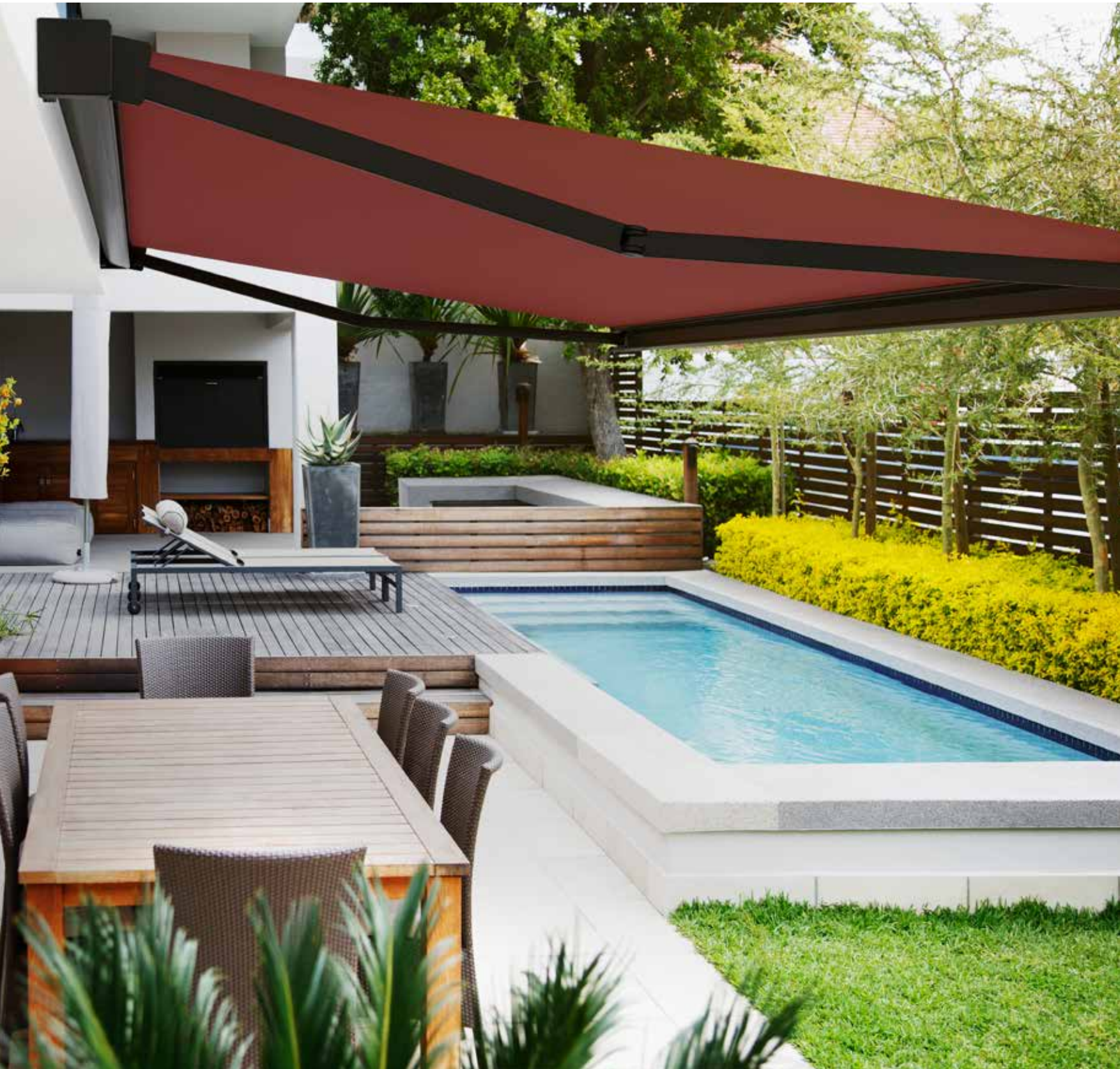


ALAND

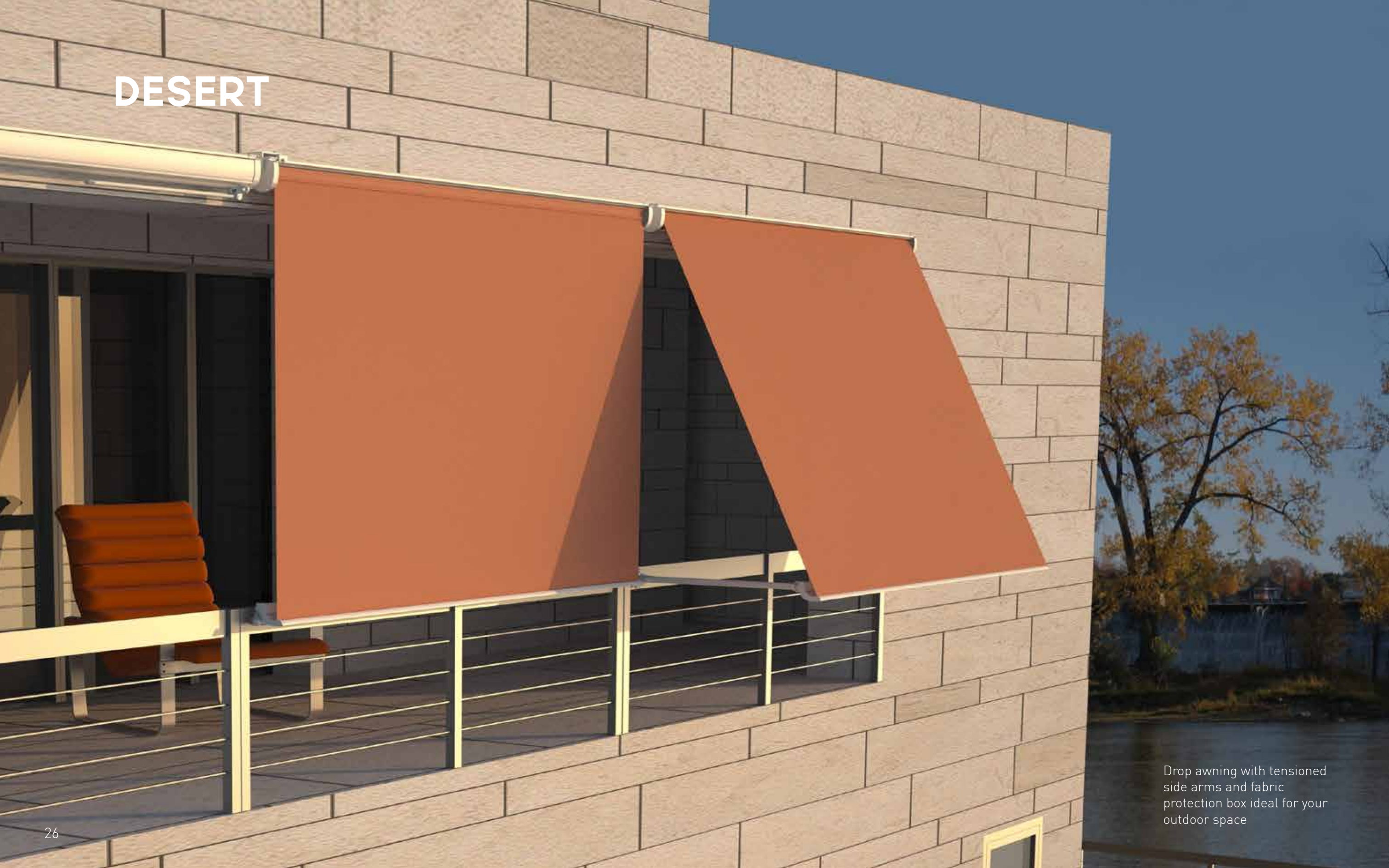


Elegant line, minimalist design. The integrated LED light in the arms makes the outdoor space extremely enjoyable





DESERT



Drop awning with tensioned side arms and fabric protection box ideal for your outdoor space

SCREEN NEXUS



Minimalist awning that elegantly protects your home from the sun and wind



DUTCH



Dutch Canopies are perfect for windows and shopfronts with a traditional style

WEDGE

Wedge Canopies are perfect for adapting to any shape and space

PERGO ARCO



Exceptional and captivating,
the arched profiles give
the impression of being in
contact with the sky

PERGO CLASSIC



Designed to stand out, with straight lines and clean surfaces, ideal for any space

PERGO CLASSIC S



Create the perfect area to relax in your garden or on your terrace

PERGO CLIMA



“Imposing robustness”, big dimensions, elegant style and exceptional resistance

PERGO CLIMA S



Create your ideal space to spend time with your family and friends

GEMINI



Mobile support structure with folding arm awnings

UVE



Support structure for folding arm awnings

Technical information

Sunshades provide effective protection from the sun for both residential homes and commercial establishments

F
O
L
D
I
N
G

A
R
M

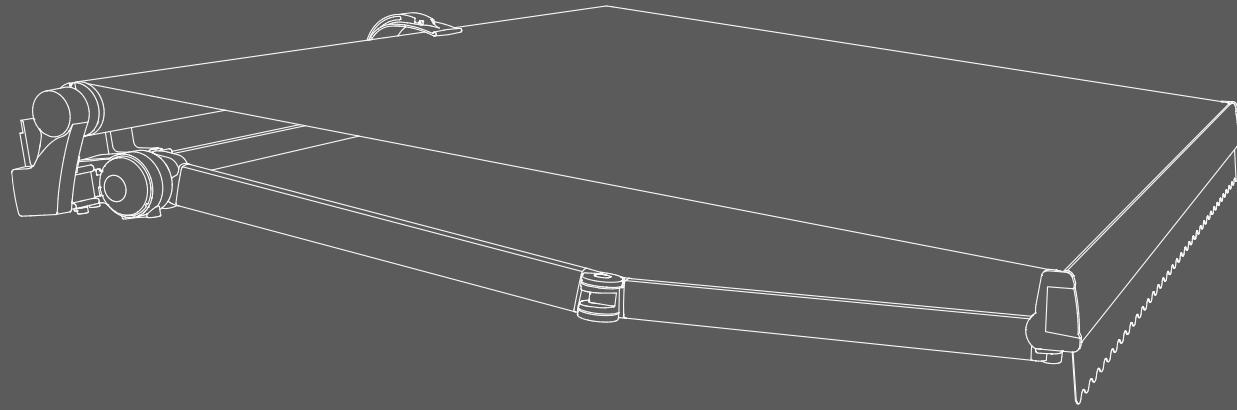


A
W
N
I
N
G
S

TECHNICAL SPECIFICATIONS

M1 PREMIUM M1 PREMIUM PLUS

Folding arms awning on a 40x40 mm square bar



M1 PREMIUM

Maximum dimensions
W 600 X P 300 cm

M1 PREMIUM PLUS

Maximum dimensions
W 1200 X P 300 cm



Manual or motorised



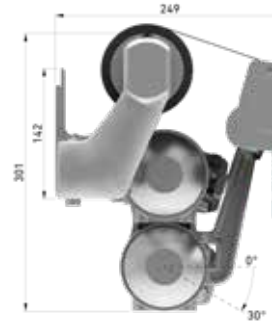
Wind resistance Class 2

AL Aluminium

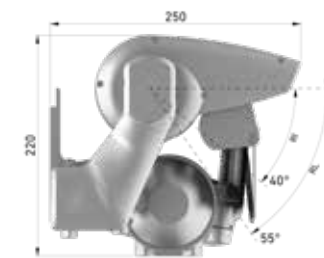
CONFIGURATIONS

Assembly options and inclination

Crossed arm



Model with housing

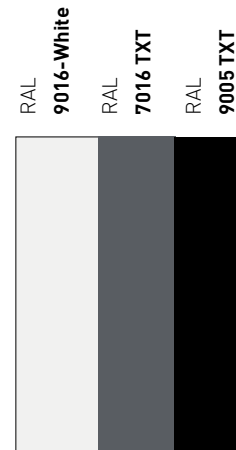


Model with a cover board

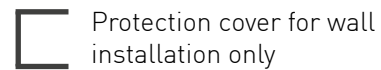


STANDARD COLOURS

Structure colours



OPTIONAL



Protection cover for wall installation only



Integrated LED lighting in the arms



Multi-arm



Suitable for home automation

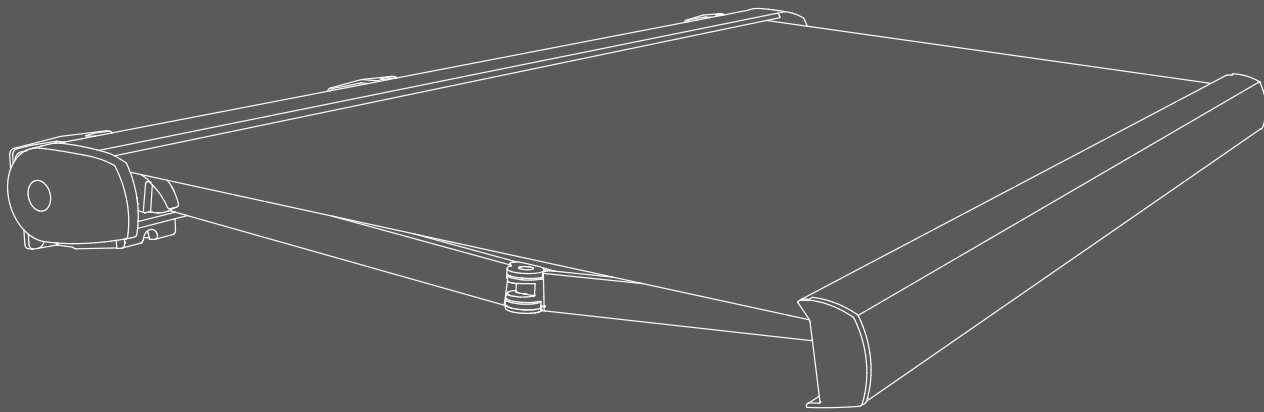


App WiFi

TECHNICAL SPECIFICATIONS

KYMA

The Kyma awning is full cassette, multi-fix awning, capable of large sizes.
Maximum dimensions W 1400 x P 400 cm

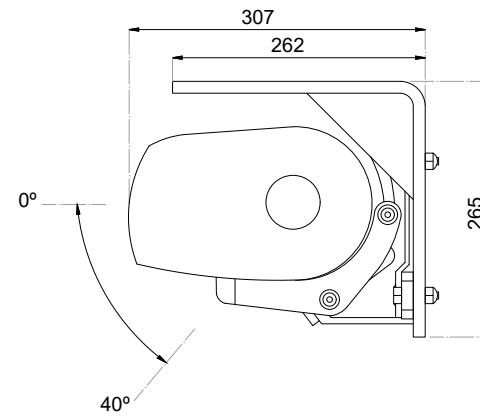


Maximum dimensions
W 1400 x P 400 cm

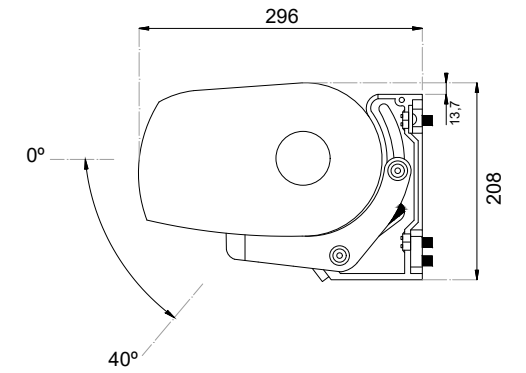
CONFIGURATIONS

Assembly options and inclination

Ceiling installation

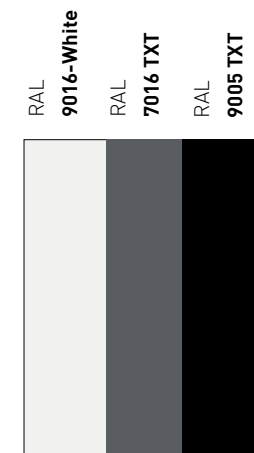


Wall installation



STANDARD COLOURS

Structure colours



OPTIONAL



CE Mark



Motorised



Wind resistance Class 2

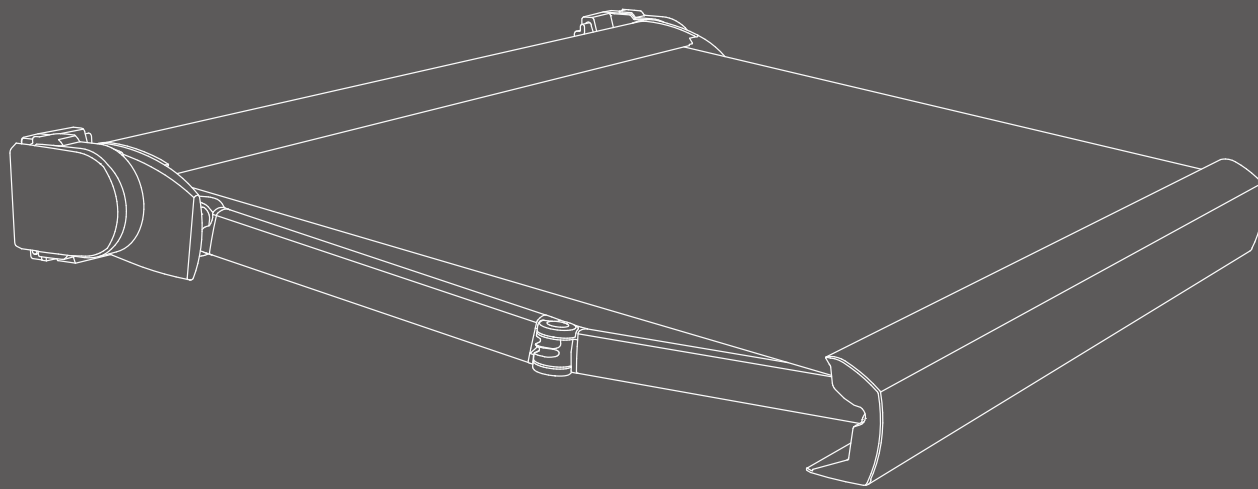


Aluminium

TECHNICAL SPECIFICATIONS

INDIE

A compact box with a sophisticated design, ideal for small spaces



Maximum dimensions
W 500 X P 300 cm



CE Mark



Manual or
motorised



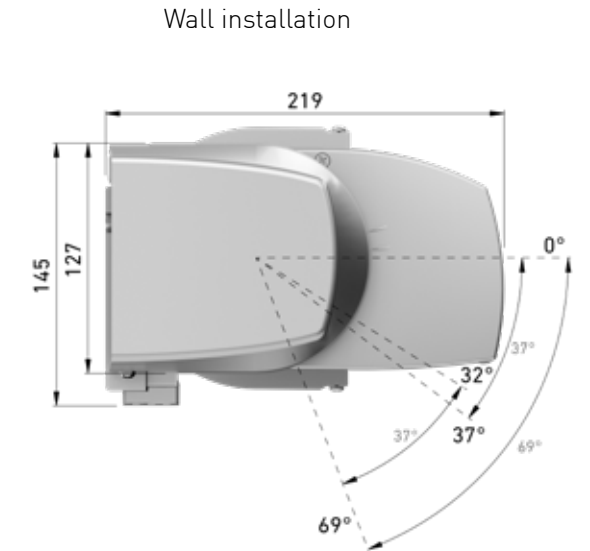
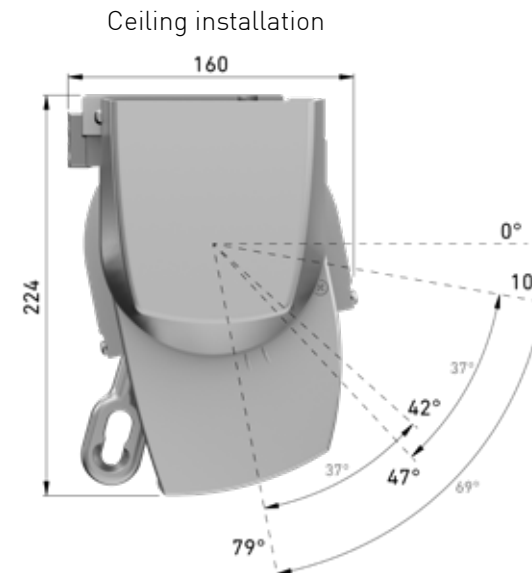
Wind resistance Class 3



Aluminium

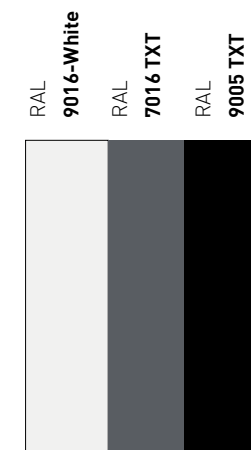
CONFIGURATIONS

Assembly options and inclination



STANDARD COLOURS

Structure colours



OPTIONAL



Suitable for home automation

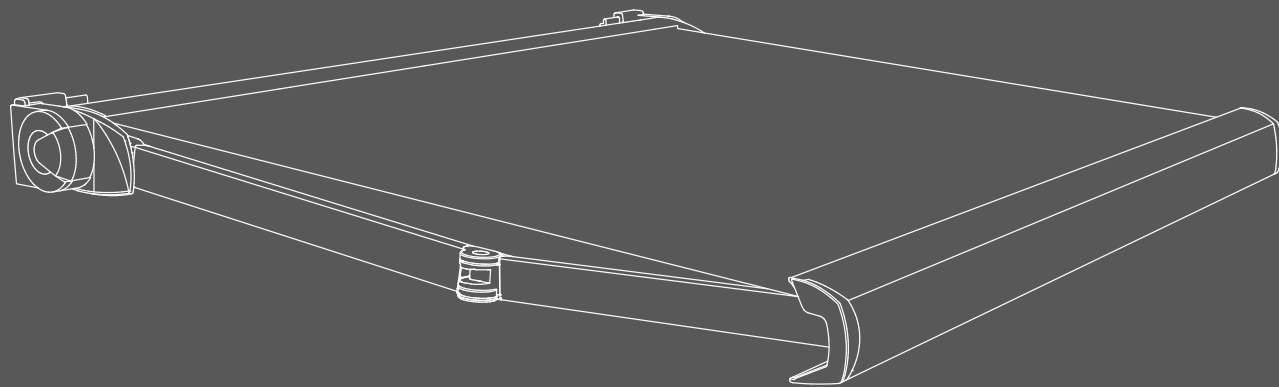


App WiFi

TECHNICAL SPECIFICATIONS

CONCEPT

The Concept awning is a highly versatile full cassette awning. Offering a high end look using cutting edge technology. The Concept is available with integrated LED arms. This awning offers a maximum width of 600 cm with a maximum projection of 350 cm



Maximum dimensions
W 600 x P 400 cm



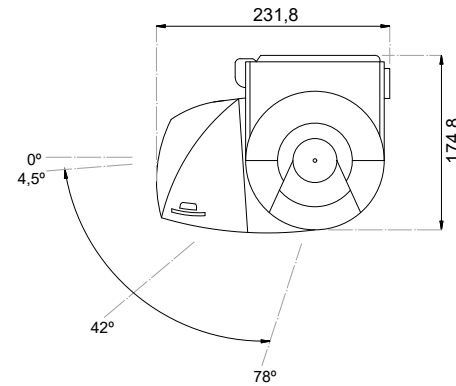
Wind resistance Class 2
Arm from 325 cm to 400 cm
Class 1

AL Aluminium

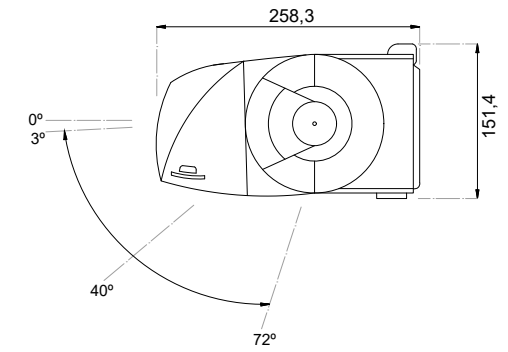
CONFIGURATIONS

Assembly options and inclination

Ceiling installation

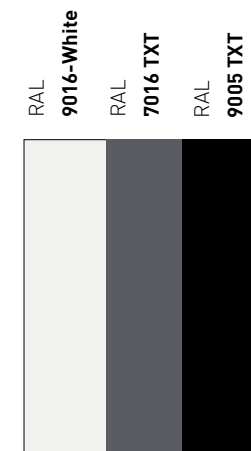


Wall installation

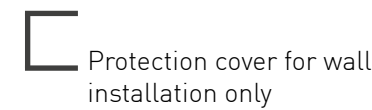


STANDARD COLOURS

Structure colours



OPTIONAL



LED lighting in the arms



Suitable for home automation

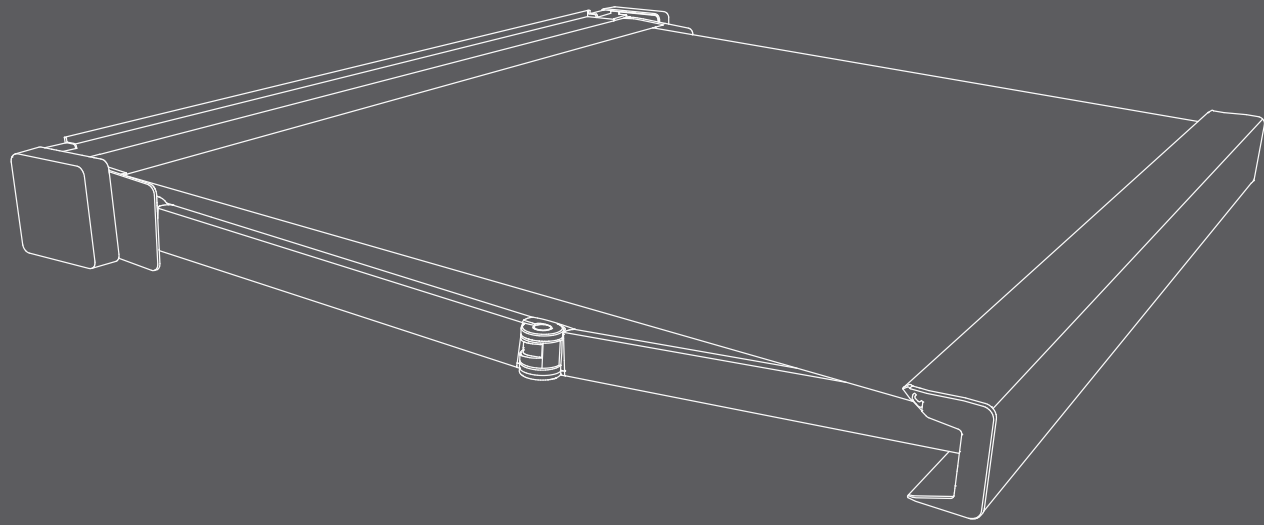


App WiFi

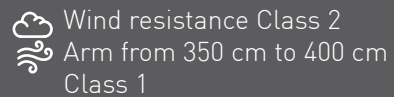
TECHNICAL SPECIFICATIONS

ALAND

The Aland awning has been designed with contemporary architecture in mind. Its straight lines and minimalist form makes it ideal for use in modern environments. This awning is a full cassette awning that can be installed via either wall or ceiling fixings. The Aland offers a maximum width of 600 cm with a maximum projection of 350 cm. This awning also offers integrated LED lights in either or both the box profile and the arms.



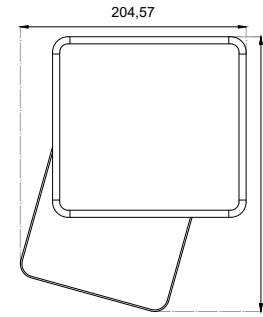
Maximum dimensions
W 600 x P 400 cm



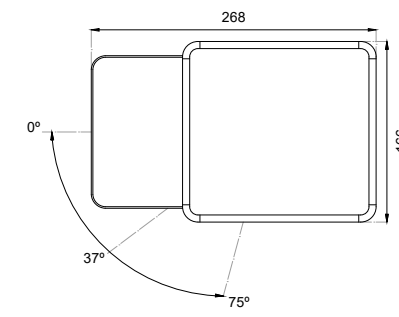
CONFIGURATIONS

Assembly options and inclination

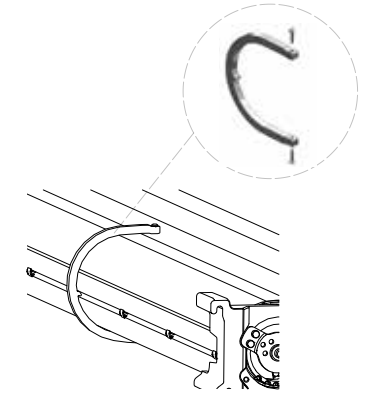
Ceiling installation



Wall installation

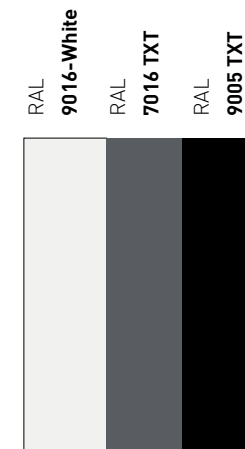


Tilt support



STANDARD COLOURS

Structure colours



OPTIONAL



LED lighting in the profile of the box and in the arms



Suitable for home automation

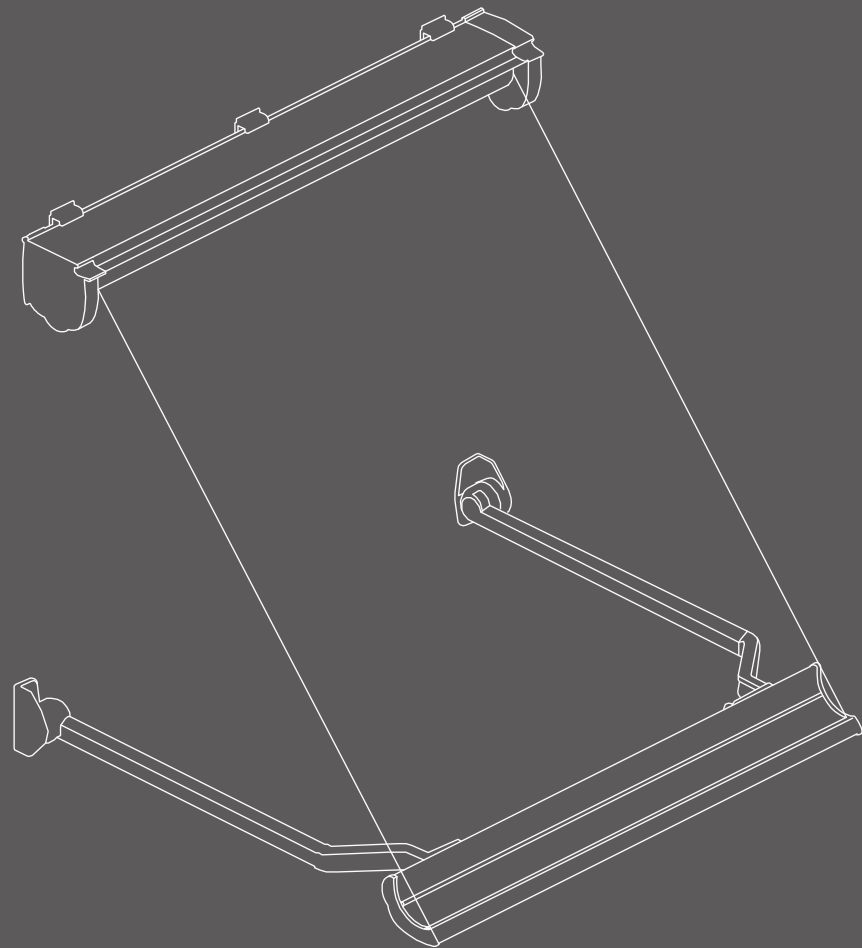


App WiFi

TECHNICAL SPECIFICATIONS

DESERT

Drop awning with tensioned side arms and fabric protection cassette. Universal wall/ceiling mounting support (with the use of an L bracket)



Maximum dimensions
W 600 X P 150 cm

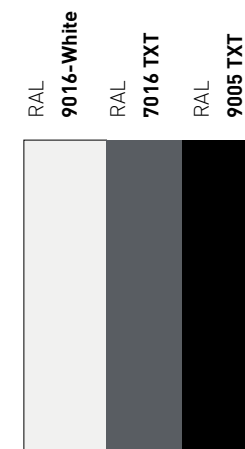
CONFIGURATIONS

Assembly options and inclination



STANDARD COLOURS

Structure colours



OPTIONAL



Suitable for home automation



App WiFi



Manual or motorised



Wind resistance Class 3

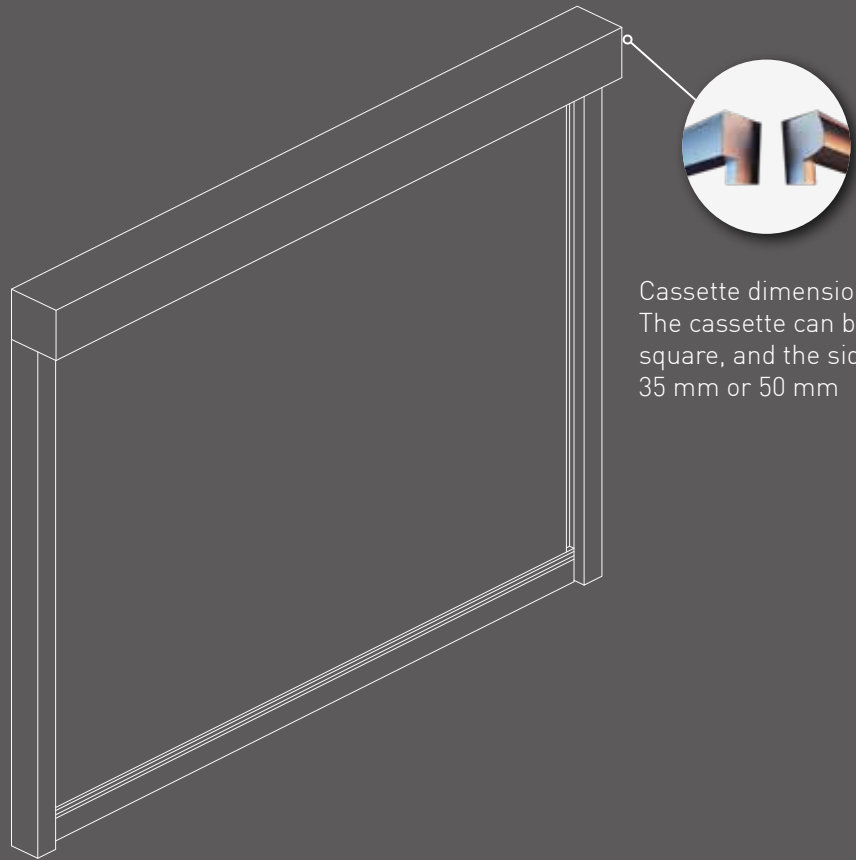
AL

Aluminium

TECHNICAL SPECIFICATIONS

SCREEN NEXUS

System with side zip closure of the fabric. This screen model has excellent wind resistance



Cassette dimensions 80 / 100 / 130 mm
The cassette can be either curved or square, and the side guide is available in 35 mm or 50 mm

Maximum dimensions
W 600 X H 500 cm



CE Mark



Motorised



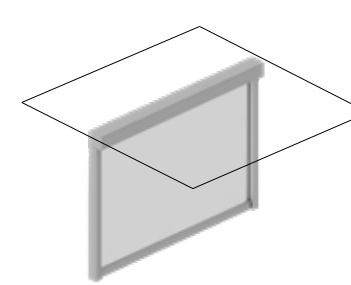
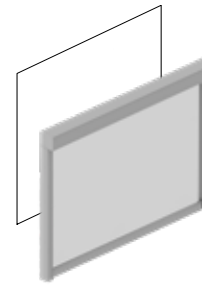
Wind resistance Class 3

AL

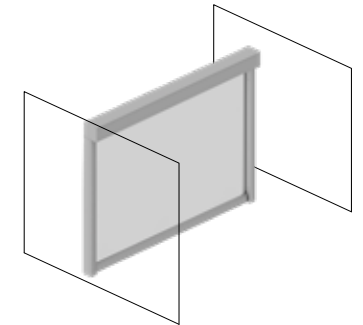
Aluminium

CONFIGURATIONS

Assembly options and inclination



Side guides with cables



STANDARD COLOURS

Structure colours

RAL
9016-White



OPTIONAL



Suitable for home automation

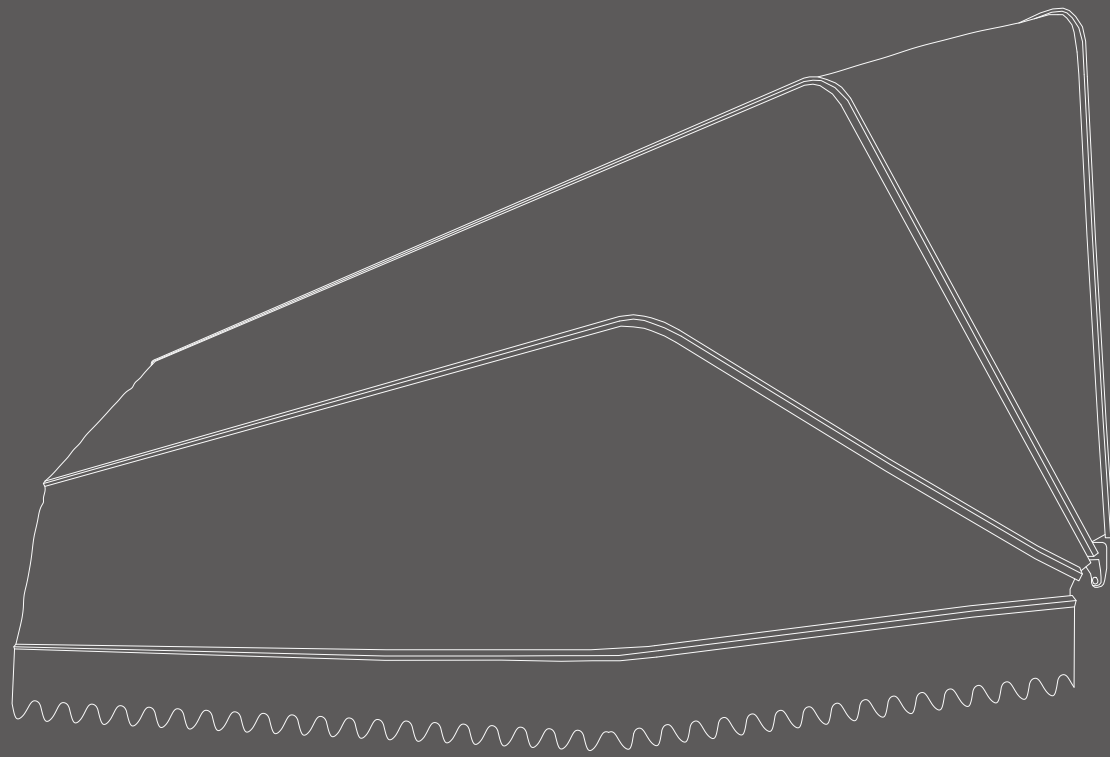


App WiFi

TECHNICAL SPECIFICATIONS

DUTCH

Dutch Canopies, sometimes called Dutch Blinds, are perfect for smaller windows or shopfronts with restricted space. A traditional style that is still popular today, its unique quadrant shape is both stylish and perfect for branding. They can be fixed or retractable



Maximum dimensions
W 600 X P 150 cm



CE Mark



Motorised

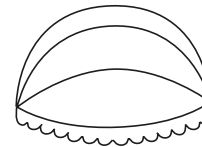


Wind resistance Class 3

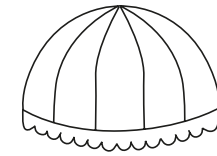


Aluminium

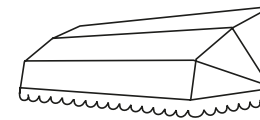
CONFIGURATIONS



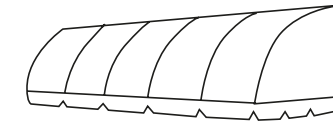
Eyelid Canopy



Bull nose Canopy



Standard Dutch



Quarter Circle canopy

VALANCE OPTIONS



Straight



Scalloped

OPTIONAL



Branding

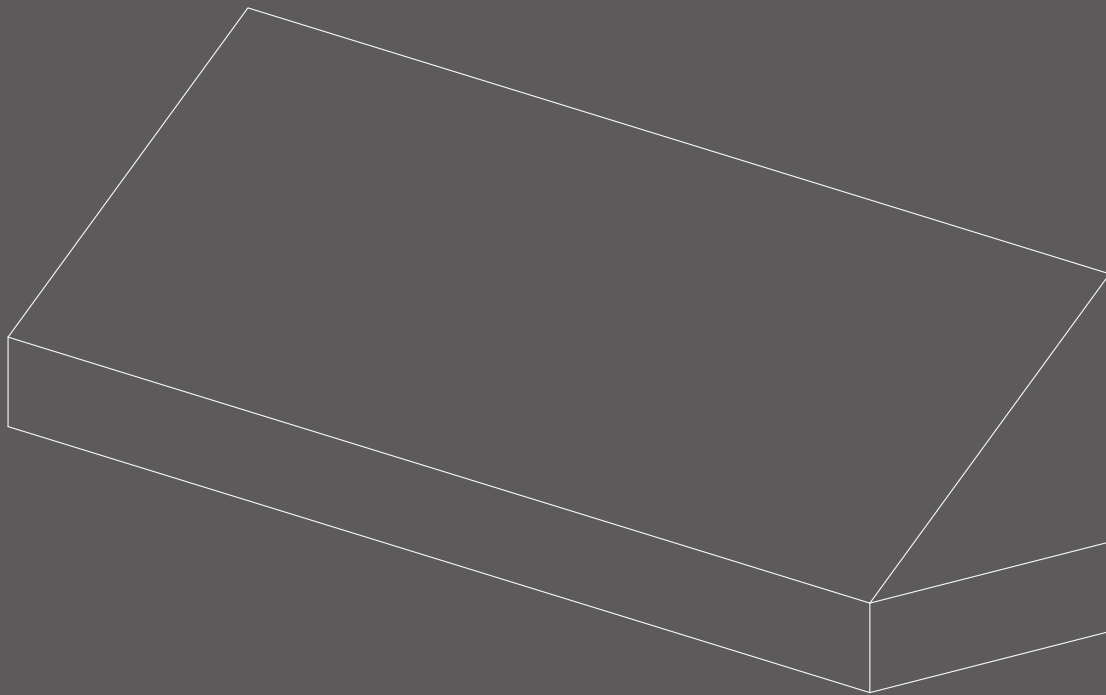


Manual Gearbox

TECHNICAL SPECIFICATIONS

WEDGE

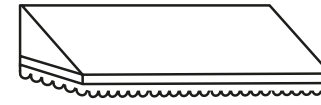
Wedge Canopies are a modern alternative to the Dutch Canopy. They are non-retractable, built with a strong aluminium framework which can be adapted to suit many shapes & sizes



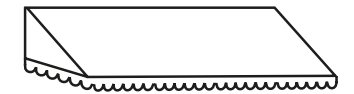
Maximum dimensions
W 600 X P 125 cm



CONFIGURATIONS



Fixed wedge with box valance



Fixed wedge

VALANCE OPTIONS



Straight



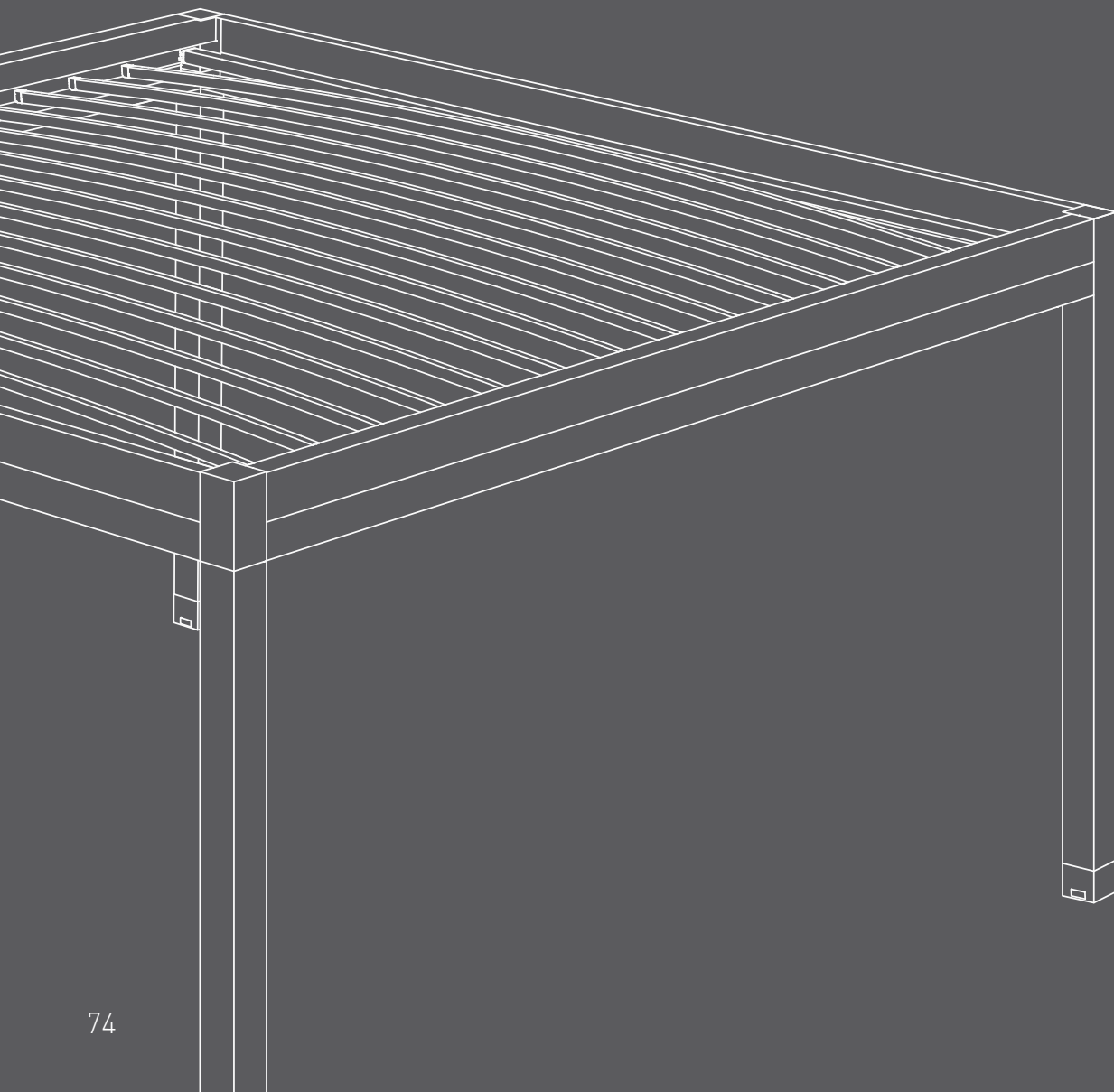
Scalloped

OPTIONAL



PERGO ARCO



Pergo Arco is a pergola with retractable PVC cover. Its curved crossbars convey a classy and elegant look. It is also possible to integrate LED lighting into them. Pillars size 150 x 150 mm



TECHNICAL SPECIFICATIONS



Maximum dimensions
W 500 x P 600 cm

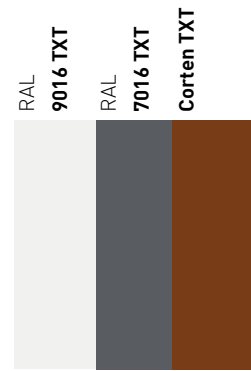
 CE Mark  Motorised  Wind resistance Class 5

 Water drainage  AL Aluminium  Flat

STANDARD COLOURS

Structure colours

Stock colours

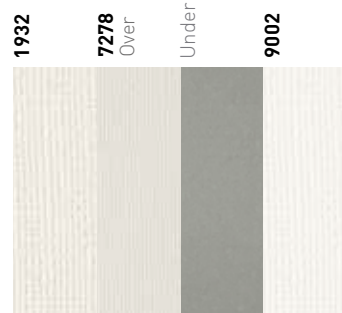


FABRICS

DICKSON-SUNBLOCK



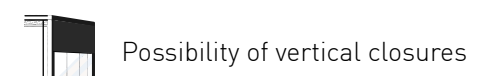
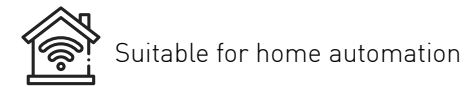
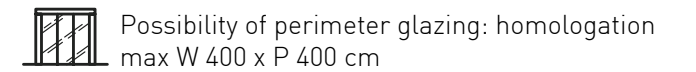
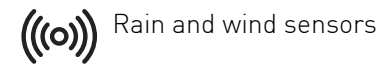
SIOEN



OPTIONAL

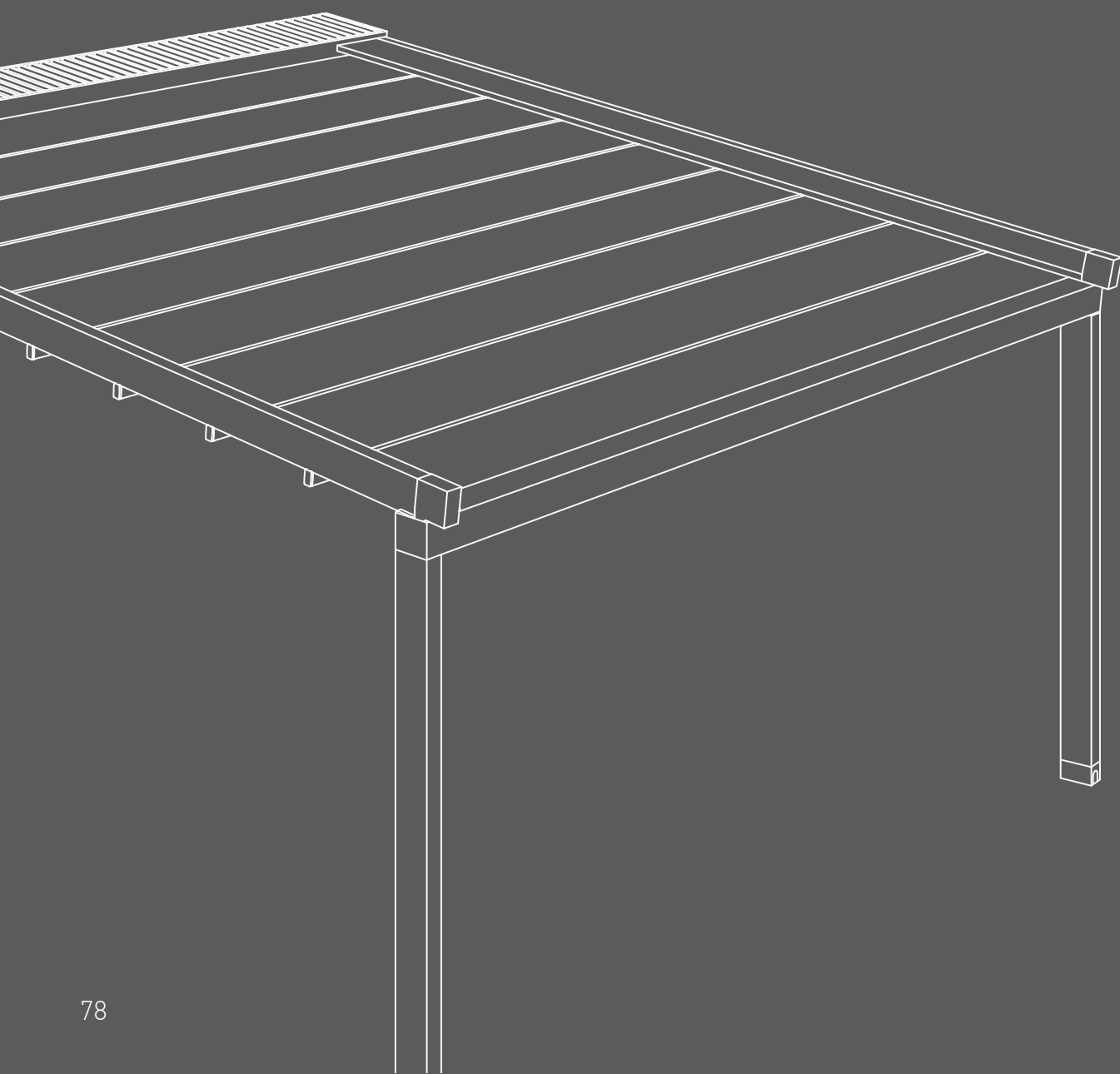


LED strips applied in the crossbeams: you can choose between RGB or white light
Integrated spot lights in the crossbeams

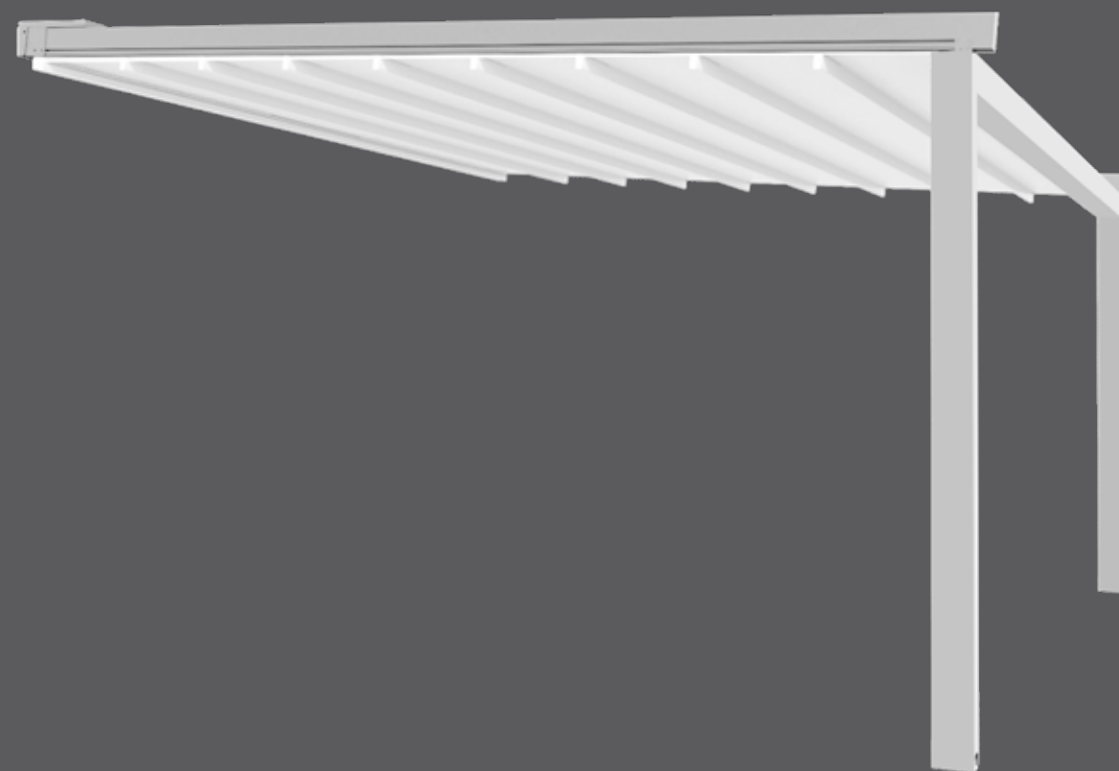


PERGO CLASSIC

Pergo Classic is a pergola with retractable PVC fabric and 75 x 150 mm pillars



TECHNICAL SPECIFICATIONS



CONFIGURATIONS

Multiple modules



W 450 x P 500 cm



W 700 x P 500 cm



CE Mark



Motorised



Wind resistance Class 5



Water drainage

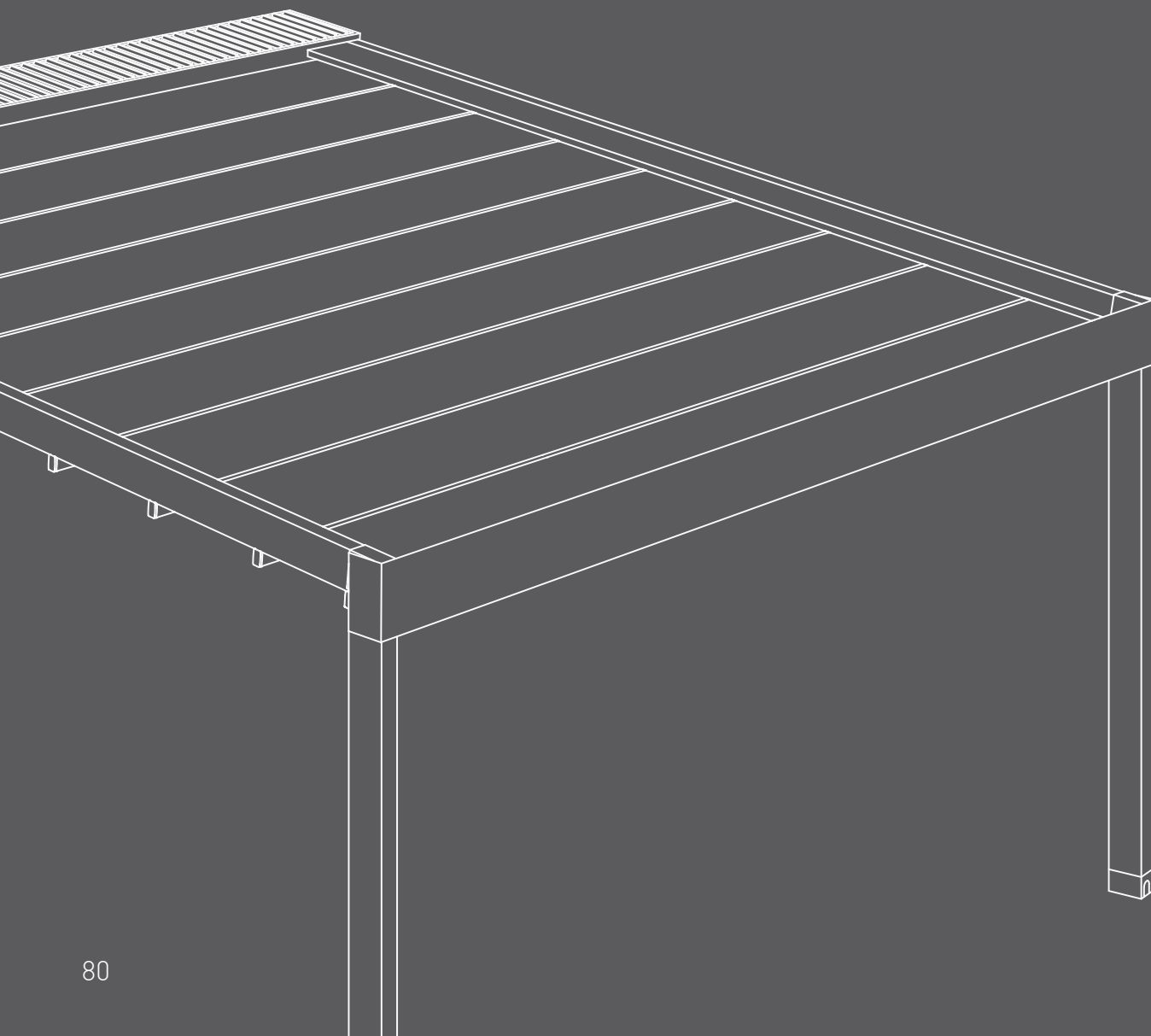
AL Aluminium



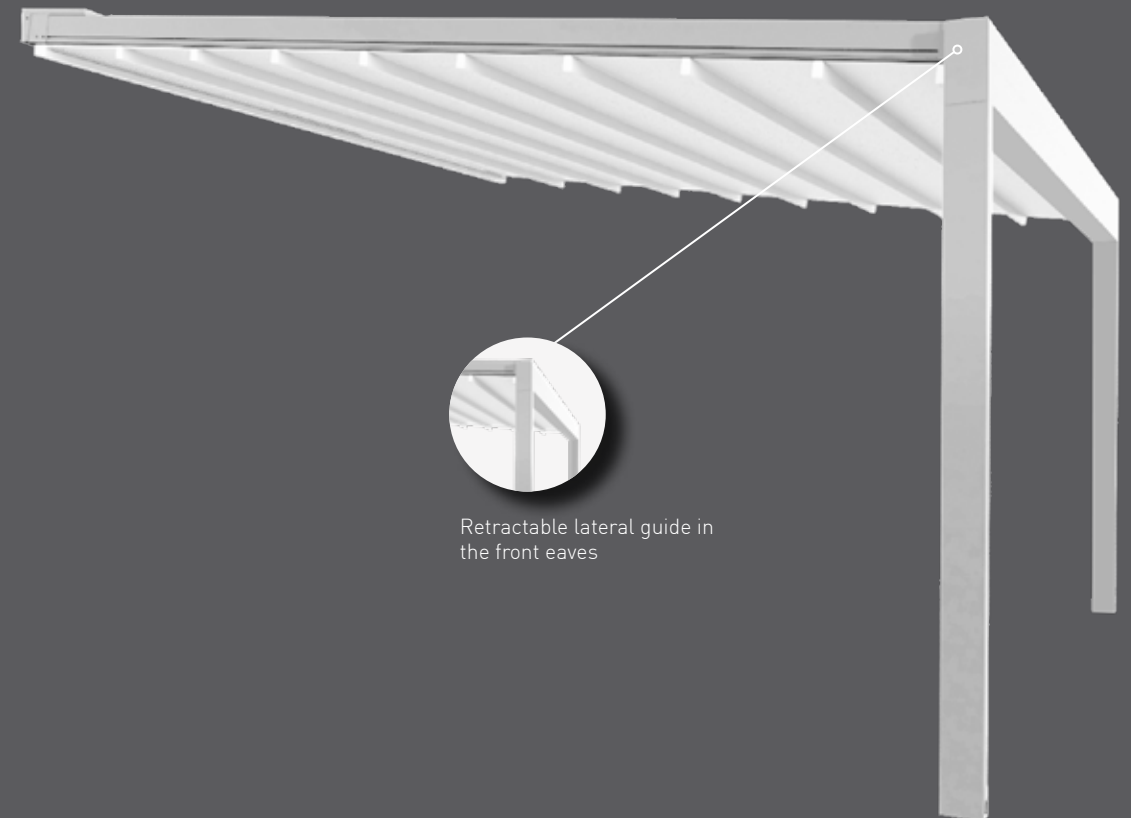
Angle

PERGO CLASSIC S

It is a pergola with retractable PVC fabric, with 75 x 150 mm pillars and side guides integrated in the front eaves



TECHNICAL SPECIFICATIONS



Retractable lateral guide in the front eaves

CONFIGURATIONS

Multiple modules



W 450 x P 500 cm



W 700 x P 500 cm



CE Mark



Motorised



Wind resistance Class 5



Water drainage

AL Aluminium

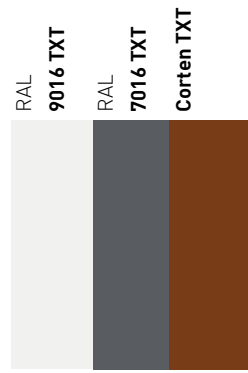


Angle

STANDARD COLOURS

Structure colours

Stock colours

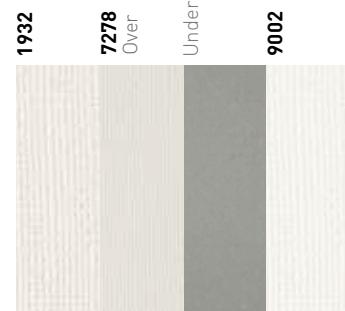


FABRICS

DICKSON-SUNBLOCK



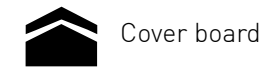
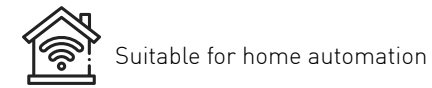
SIOEN



OPTIONAL

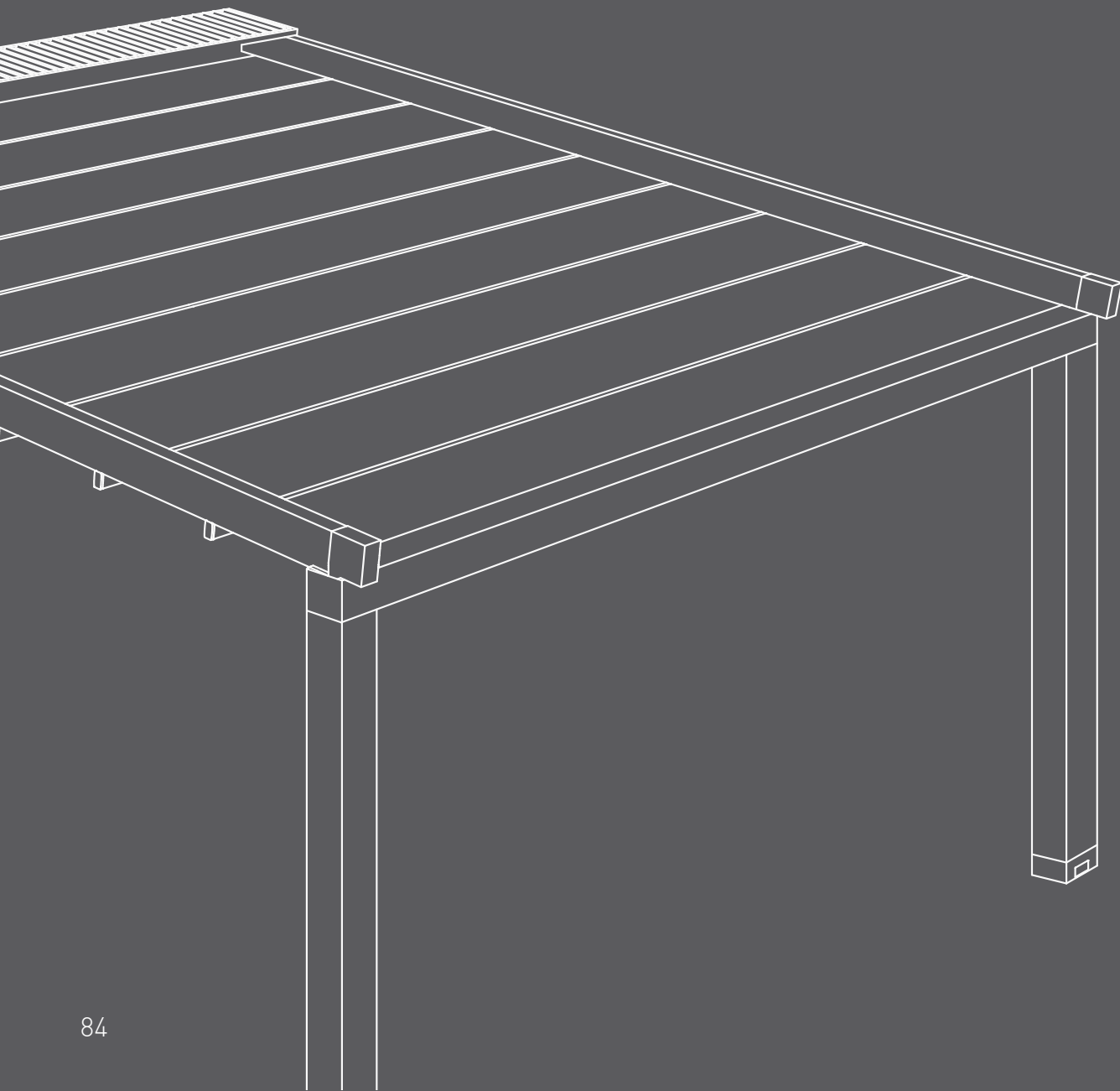


LED strips applied in the crossbeams: you can choose between RGB or white light
Integrated spot lights in the crossbeams

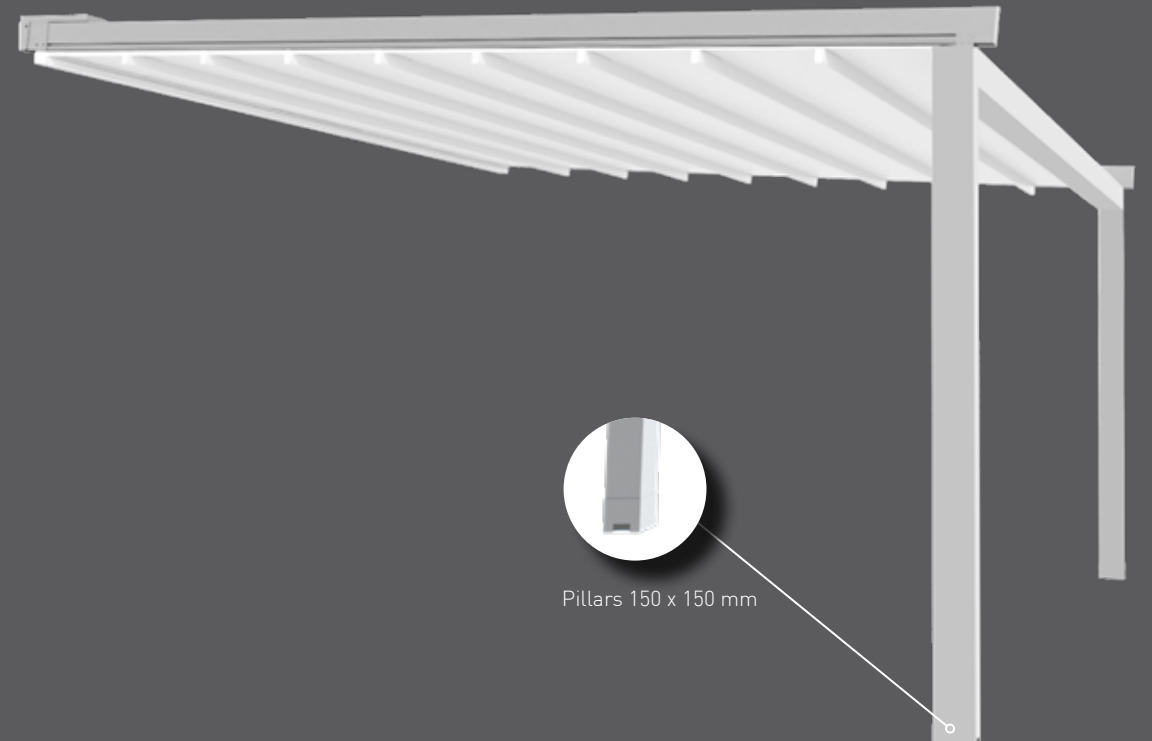


PERGO CLIMA

Pergo Clima is a large, tilted pergola with retractable PVC fabric and 150 x 150 mm pillars



TECHNICAL SPECIFICATIONS



Pillars 150 x 150 mm

CONFIGURATIONS

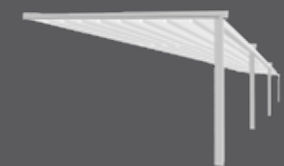
Multiple modules



W 450 x P 550 cm



W 900 x P 550 cm



W 1100 x P 550 cm



CE Mark



Motorised



Wind resistance Class 5



Water drainage

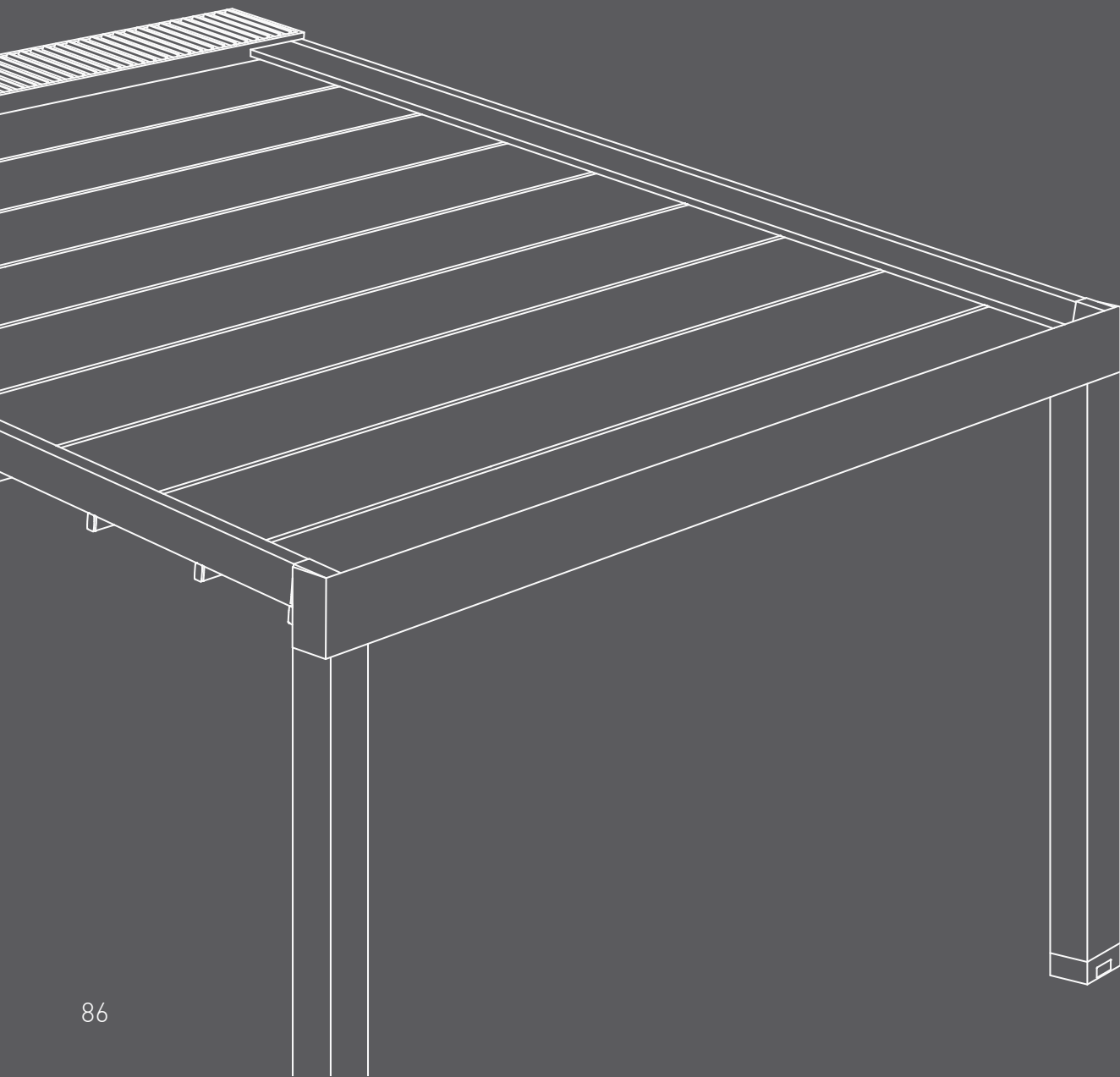
AL Aluminium



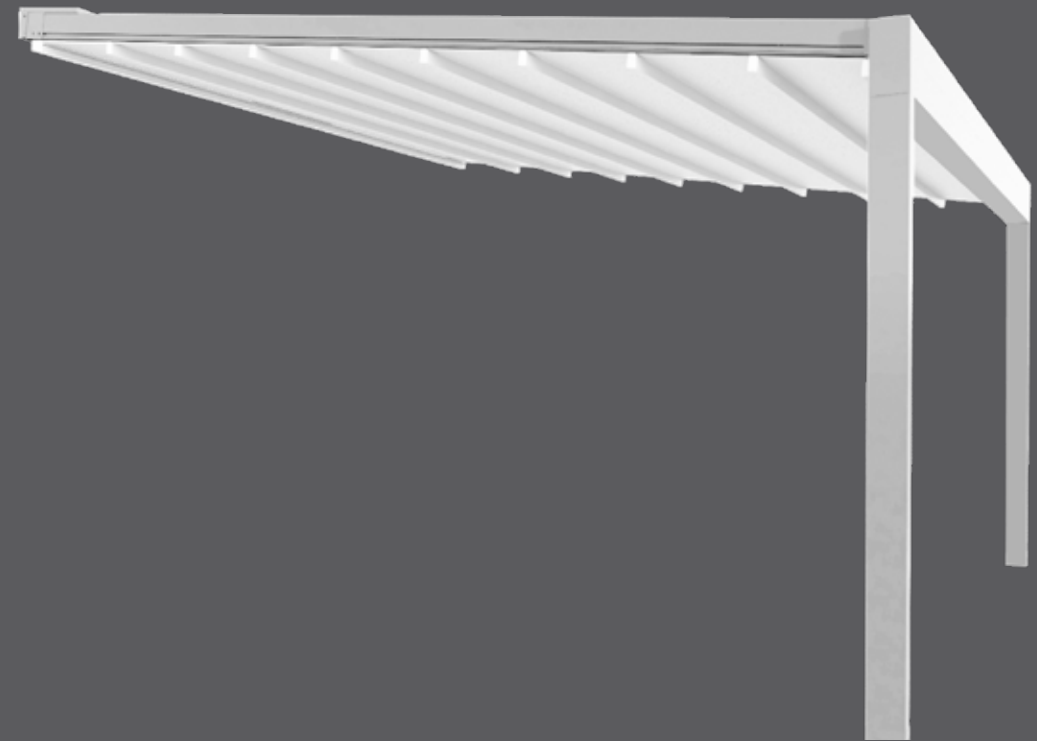
Angle

PERGO CLIMA S

Pergo Clima S is a large, tilted pergola with retractable PVC fabric, 150 x 150 mm pillars and side guides integrated in the front eaves



TECHNICAL SPECIFICATIONS

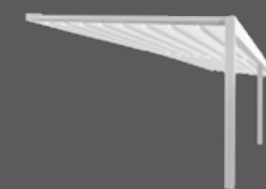


CONFIGURATIONS

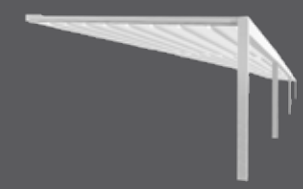
Moduli multipli | Multiple modules | Mehrere Module



W 450 x P 550 cm



W 900 x P 550 cm



W 1100 x P 550 cm



CE Mark



Motorised



Wind resistance Class 5



Water drainage

AL Aluminium

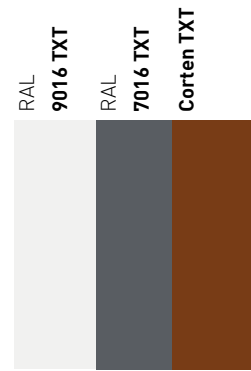


Angle

STANDARD COLOURS

Structure colours

Stock colours

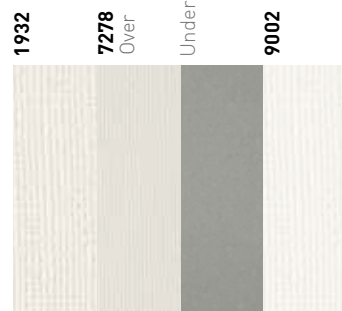


FABRICS

DICKSON-SUNBLOCK



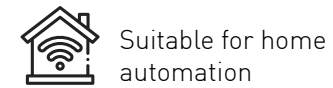
SIOEN



OPTIONAL



Integrated LED strips in the crossbeams: you can choose between RGB or white light.
Spot lights integrated in the crossbeams



Suitable for home automation



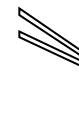
Possibility of perimeter glazing homologation max 1 module: W 400 x P 400 cm, 2 Modules: W 800 x P 450 cm, 3 modules: W 1100 x P 450 cm



App WiFi



Possibility of vertical closures homologation max 1 modul: W 400 X P 500 cm, 2 modules: W 900 x P 500 cm, 3 modules: W 1100 x P 500 cm



Gable



Outdoor floating floor



Cover board

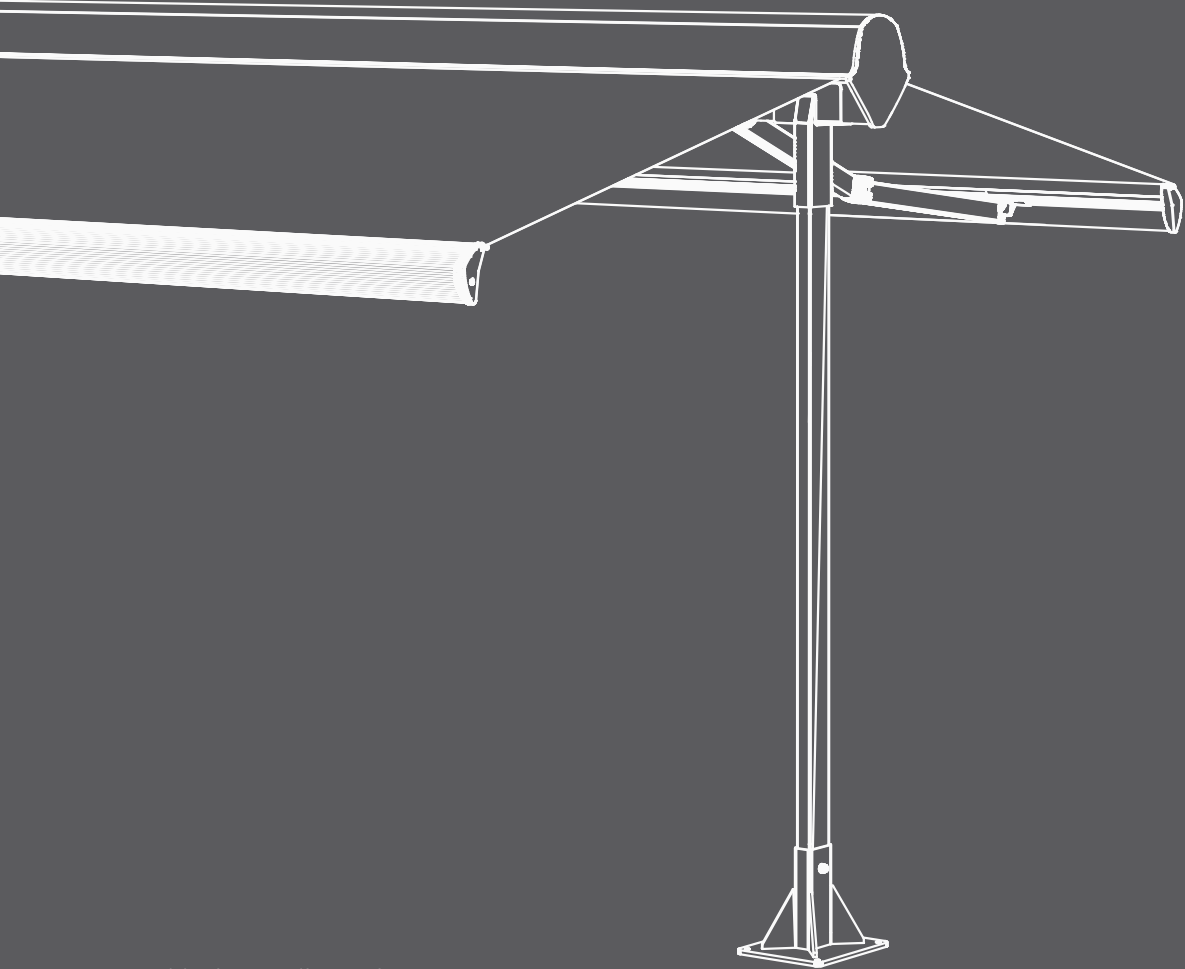


Sunshade

TECHNICAL SPECIFICATIONS

GEMINI

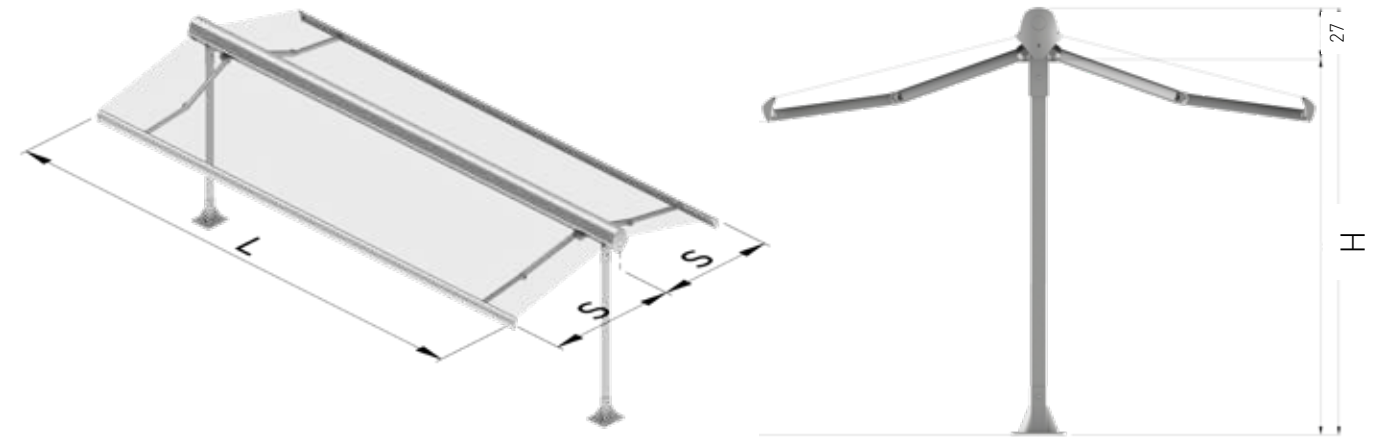
Mobile support structure with folding arm awnings



Maximum dimensions
W 600 x P 600 (2 awnings from 300 cm)

CONFIGURATIONS

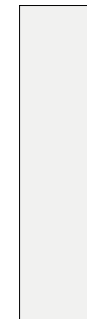
Assembly options and inclination



STANDARD COLOURS

Structure colours

RAL
9016-White



OPTIONAL



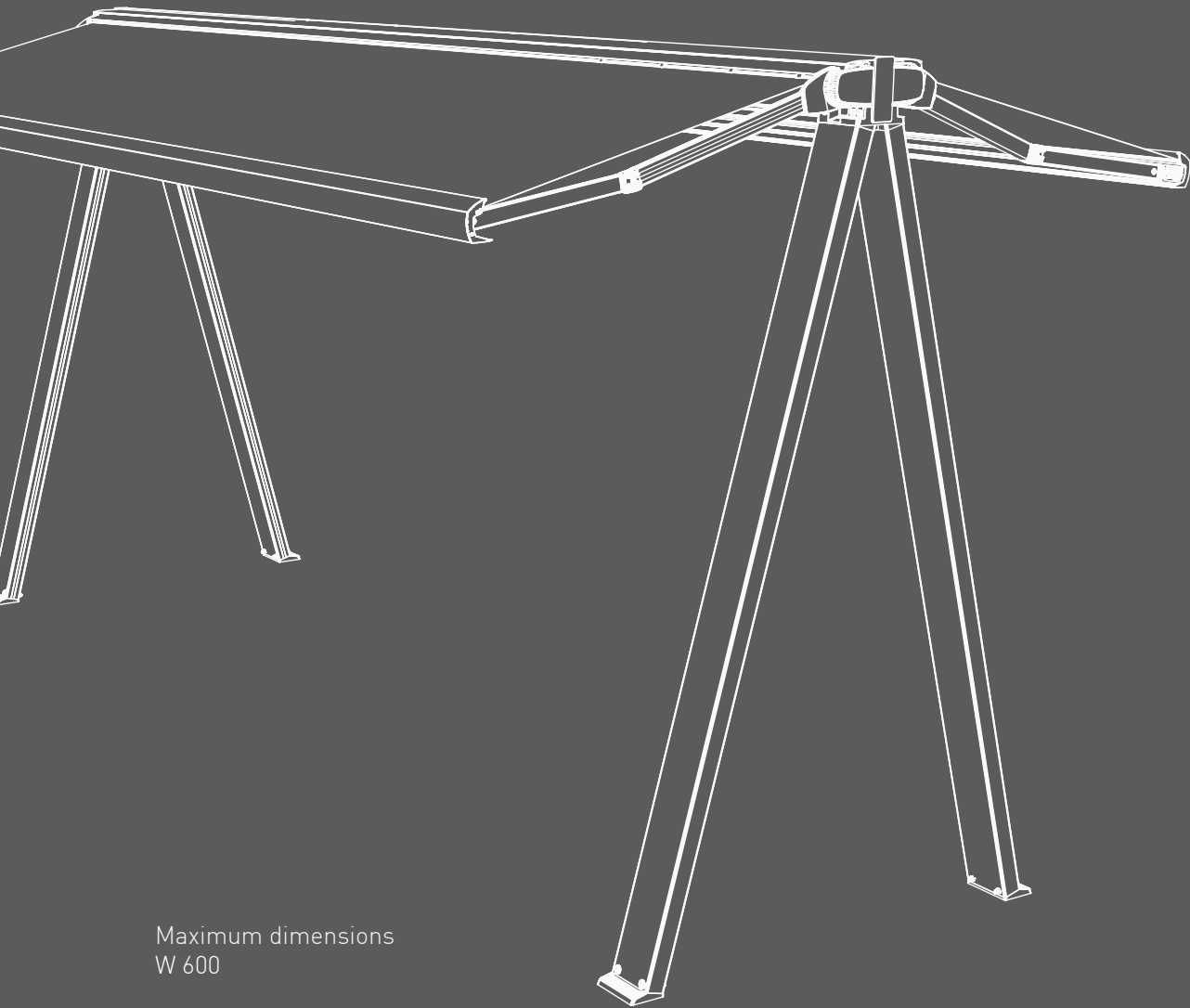
Wind resistance Class 2

AL Aluminium

TECHNICAL SPECIFICATIONS

UVE

Support structure for folding arm awnings



Maximum dimensions
W 600

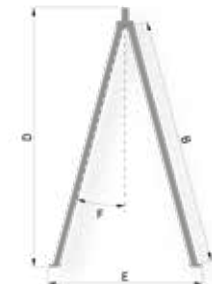


CE CE Mark

AL Aluminium

CONFIGURATIONS

Assembly options and inclination



OPTIONAL



Graphic Project
Gaviota Simbac S.p.a

GAVIOTA UK LTD
(Rear of) Anfield House
Gorley Nurseries
Ringwood Road
Fordingbridge
Hampshire
SP6 2EX



