



Honoured with:



Pergola awning

Plaza Viva

Plaza Viva Stretch/LED | OptiStretch/LED

Plaza Viva stands for reliable sun and rain protection on the patio. It is incredibly wind-resistant, offers rain protection during light summer showers and integrates subtly into the overall look of the house. Not forgetting its practical use on facades that don't have enough load-bearing capacity to mount a folding arm awning. Technical innovations such as the optional lowerable telescopic post, the OptiStretch version, integrated LED lighting and gear handle operated Valance Plus leave almost nothing to be desired.

3-part rain protection system



Compensation joint:

Reduces the load on the entire construction when lowering the post



Wall bracket with floating bearings:

Also reduces the load on the awning when lowering the post



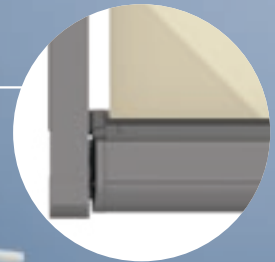
Telescopic post:

Can be lowered using the gear handle to drain rain off reliably



No visible fixings:

Elegant and slimline design



Plaza Viva Stretch:

Held captive on 2 sides, with light gap, with corner reinforcement



Plaza Viva OptiStretch:

Held captive on 4 sides, no light gap, with strip reinforcement

Plaza Viva Highlights

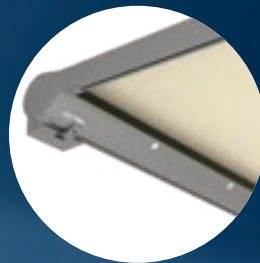
New flat rope:
Quiet and extremely
tear-resistant



02

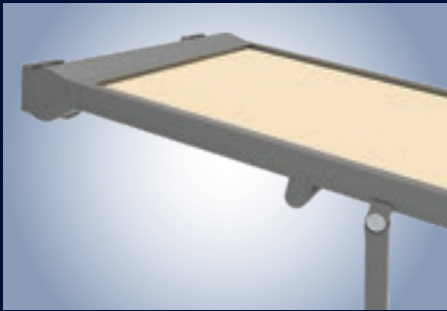


Service opening:
Easier access to the drive and
control components with
BiConnect



Integrated LED lighting:
Moody patio lighting

Plaza Viva Benefits



Large surface protection from the sun – thanks to sturdy aluminium posts

The Plaza Viva stands on solid posts. Making it suitable sun protection for large terraces and offering reliable protection against surging winds.

- For larger dimensions up to 30 m²
- Can also be installed on difficult and insulated facades due to reduced load acting on the fixings in the wall brackets
- Wind-resistant up to wind force 6 on the Beaufort scale
- Elegant design, almost no visible screws

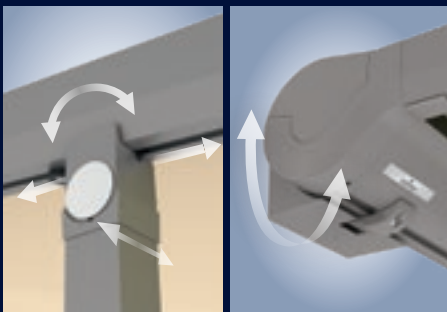


Telescopic post for rain to drain off reliably (optional)

The optional telescopic post can be really easily fully lowered on one side using the gear handle thus ensuring that rain drains off easily with a pitch awning of 4° or more.

- Just one telescopic post possible per construction
- Reliable rain protection
- No pooling

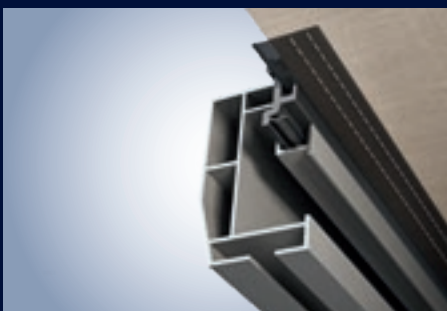
Please observe the important details in the Plaza Viva telescopic post section.



Compensation joint and floating bearing

The combination of a compensation joint and wall bracket with floating bearings reduces the load on the entire construction when the awning is lowered using the gear handle.

- Rain drains off reliably (no danger of pooling)



Clever Stretch and OptiStretch versions

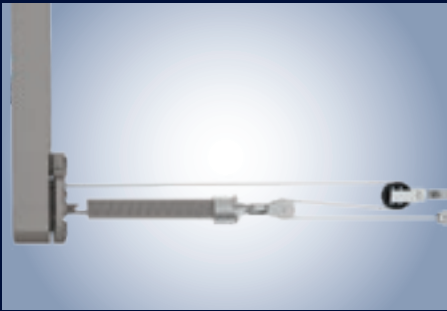
Plaza Viva Stretch: the well positioned and even fabric creates a cosy atmosphere.

- **Stretch:** held captive on 2 sides, cost effective solution, easy to install

Plaza Viva OptiStretch: completely closed all round, ensures a well tensioned fabric without any hanging fabric edges on the side. In very large constructions, it reduces the central sagging of the fabric during extension and retraction.

- **OptiStretch:** held captive on 4 sides, no light gap

Plaza Viva Benefits



Reliable tension system – with new quiet flat rope

The tried and tested clamping system is used with the Plaza Viva with a new flat and at the same time tear-resistant rope. The rope winds up extremely quietly over itself instead of side by side. This prevents the rope from bouncing.

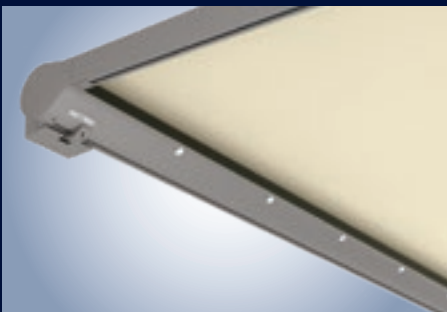
- Long-lasting equalised fabric tautness with pulley block technology
- The flat rope is quiet and tear-resistant, it prevents the rope from twisting and bouncing and does not fray on the sides



Service opening – convenient access

The opening in the cassette offers easy access to the motor input with BiConnect.

- Easier access to components
- The programming of the drive's end positions is made easier by the service opening
- Decoupling of the wind sensors during maintenance



HighPower LED spotlights – for an amazingly beautiful atmosphere

The LED spotlights integrated into the cassette produce atmospheric lighting on the patio.

- 30,000 hours of LED lighting with minimal energy consumption
- Dimmable when used with BiConnect or Somfy io-homecontrol® radio control



Valance Plus – vertical privacy and sun protection

The Valance Plus is elegantly integrated into the Plaza Viva's front profile. It provides privacy and glare protection even with a low-lying sun.

- Gear drive or solar motor from Somfy as modern drive technology (solar motor only possible combined with main drive Somfy io-homecontrol®)
- Patented OptiFlow-System® to keep fabric ideally positioned and to close the bottom rail safely
- Valance Plus may only be extended and retracted when using a telescopic post if the telescopic post is cranked right up to the top

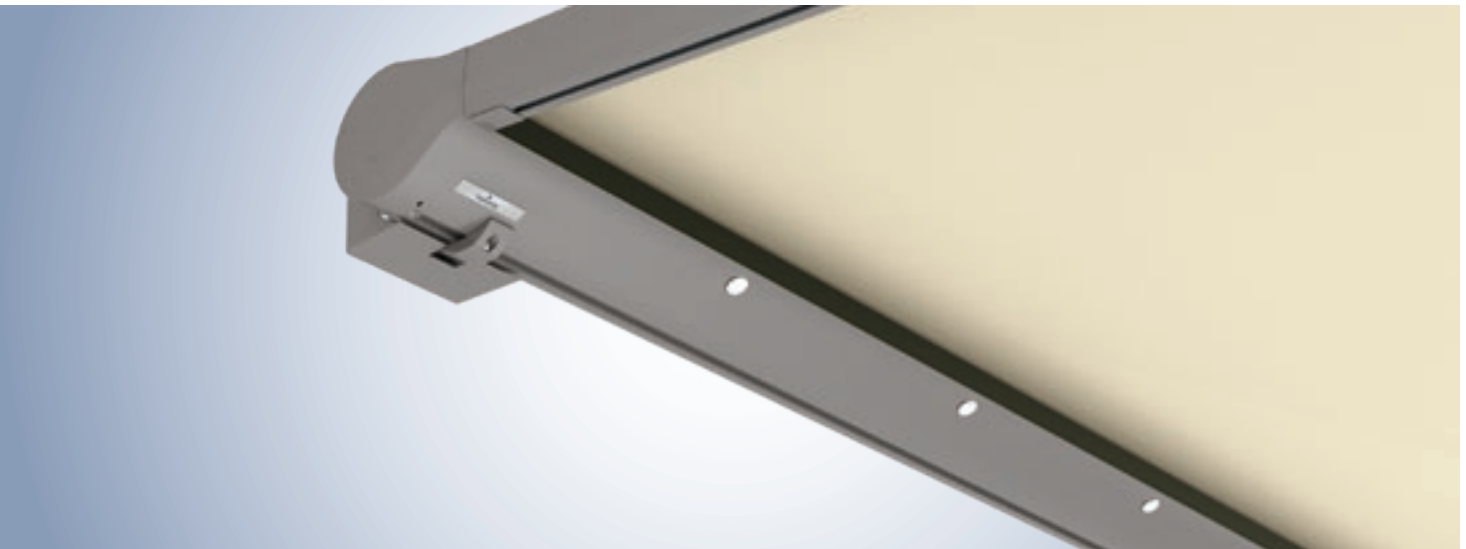
Plaza Viva Technology

Plaza Viva versions	Plaza Viva Stretch	Plaza Viva OptiStretch	Plaza Viva Stretch LED	Plaza Viva OptiStretch LED
Technology				
Max. width (max. total width for multi-section units: 12 meters, max. 50 m ² fabric area)	6,000 mm	6,000 mm	6,000 mm	6,000 mm
Max. projection	5,000 mm	5,000 mm	5,000 mm	5,000 mm
Max. fabric area	30 m ²	30 m ²	30 m ²	30 m ²
Cassette size (w x h)	323 x 166 mm	323 x 166 mm	323 x 166 mm	323 x 166 mm
Motor drive	● as standard	● as standard	● as standard	● as standard
Gear drive	—	—	—	—
Angle of pitch on awning	4° – 25°	4° – 25°	4° – 25°	4° – 25°
Installation alternatives	see installation section		see installation section	
LED lighting (separate spotlights)	—	—	● integrated into the cassette	● integrated into the cassette
Standard post length	2,600 mm	2,600 mm	2,600 mm	2,600 mm
Valance Plus option (can be retrofitted)				
Max. width	6,000 mm	6,000 mm	6,000 mm	6,000 mm
Max. projection	5,000 mm	5,000 mm	5,000 mm	5,000 mm
Solar motor	—	—	—	—
Gear drive	●	●	●	●
Plaza Viva angle of pitch	max. 20°	max. 20°	max. 20°	max. 20°
Valance Plus projection (h)	1,000, 1,500, 2,100 mm	1,000, 1,500, 2,100 mm	1,000, 1,500, 2,100 mm	1,000, 1,500, 2,100 mm
Accessories				
Tempura/Tempura Quadra heating system	○	○	○	○
Fixing materials	see installation section		see installation section	
Controls				
Radio control	○	○	○	○
No remote	●	●	●	●
Weather sensors				
Sun/wind sensor	○	○	○	○
Sun/wind sensor solar powered	○	○	○	○
Sun/wind/rain sensor	○	○	○	○
Quality				
Tested up to	The Plaza Viva has been tested in the maximum dimensions up to wind force 6 on the Beaufort scale (in accordance with wind resistance class 3) and withstands this load			
Rain class 2 is met	With Plaza Viva with fixed posts from a pitch of 14° With Plaza Viva with telescopic posts from a pitch of 4° (Valance Plus option 5°) with fully lowered post			

Important: The product should never be unattended when used as rain protection. If the pitch is less than 14°, there is a risk of water pooling, which can damage the fabric.

● standard ○ optional — unavailable

Plaza Viva LED



LED lighting – 30,000 hours of lighting with extremely low energy consumption

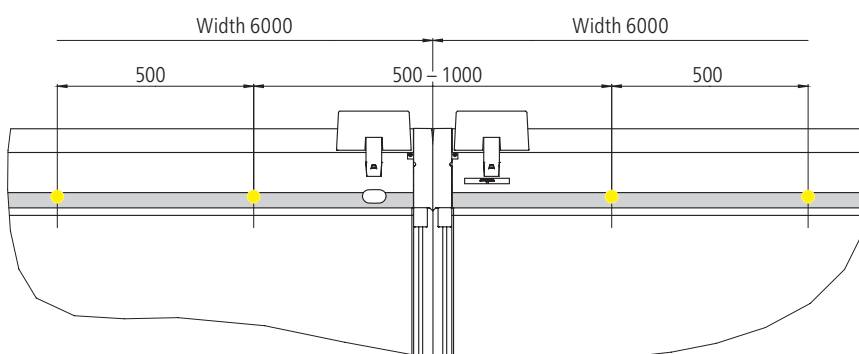
The select high-power LED components are patented and represent the very best in weinor quality:

- Integrated into the cassette
- Atmospheric light thanks to special glass lenses
- Lighting remains on even when awning is retracted
- Highly energy-efficient
- Operating life of 30,000 hours
- Dimmable when used with BiConnect or Somfy io-homecontrol® radio control
- Easy to service: simply replace individual LED lights without uninstalling the awning

Integrated LED lighting

Awning width in cm	Number of separate LED spotlights	Awning width in cm	Number of separate LED spotlights
– 299	5 – 6	450 – 499	9 – 10
300 – 349	6 – 7	500 – 549	10 – 11
350 – 399	7 – 8	550 – 600	11
400 – 449	8 – 9		

Joined systems – distance between LED spots in transition area



The distance between the LED spotlights in a multi-section unit's transition area can be 500 mm to 1000 mm.

Plaza Viva Telescopic post 50/70



Telescopic post 50/70 (optional)

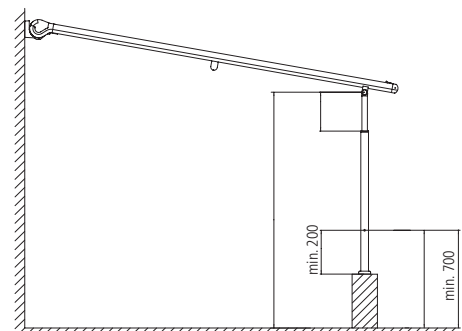
The optional telescopic post 50/70 can be really easily lowered on one side using the gear handle providing an awning pitch of 4° (Valance Plus option 5°) and fully cranked down post so that rain drains off reliably.

Please note: The system is designed for a maximum rainfall class of 2 (56 l/h/m²).

Important information

- The telescopic post 50/70 should ideally always be moved into the highest or lowest position as it can only be locked in place there. If it is moved to a position in between it may lower of its own accord because there is no locking in place.
- The construction may only be extended and retracted if the telescopic post 50/70 is right up the top
- The mounting of telescopic posts 50/70 on both sides is not possible as this would cancel out the benefit. It would then only be guaranteed that rain would drain off reliably from a pitch of 14° again.
- 2 telescopic posts 50/70 are also unsuitable for protection against the low-lying sun as lowering between 150 to 350 mm does not offer sufficient protection. The Valance Plus is ideal for this.

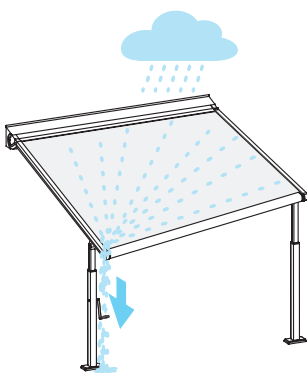
Gear handle position



Standard gear handle height 900 mm.
Different gear handle position on request.

Note:

- Residual water on the inside, e.g. after a rain shower, can come out of the profiles during extension, even with a time delay.



Controlled draining with lowered post.

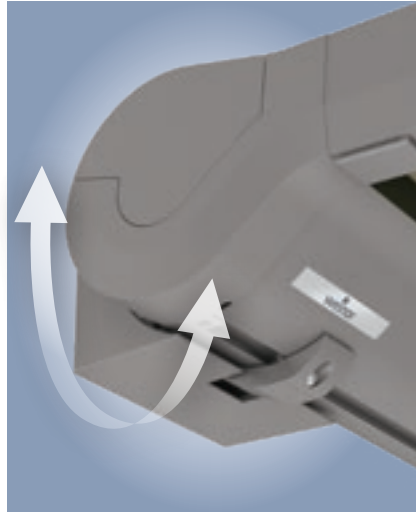
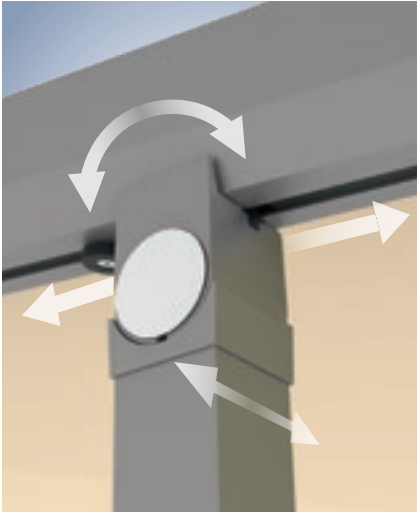


If the post is not lowered, the water may collect on the Plaza Viva leading to pooling.



When exceeding rain class 2 (56 l/h/m²), the Plaza Viva must be retracted. Risk of damage!

Compensation joint and floating bearing



When lowering the top part of the post using the gear handle, it reduces the load on the construction and it remains inherently stable. The wall bracket with floating bearing and compensation joint on the upper part of the post ensure that the entire awning adapts perfectly to the pitch.

02

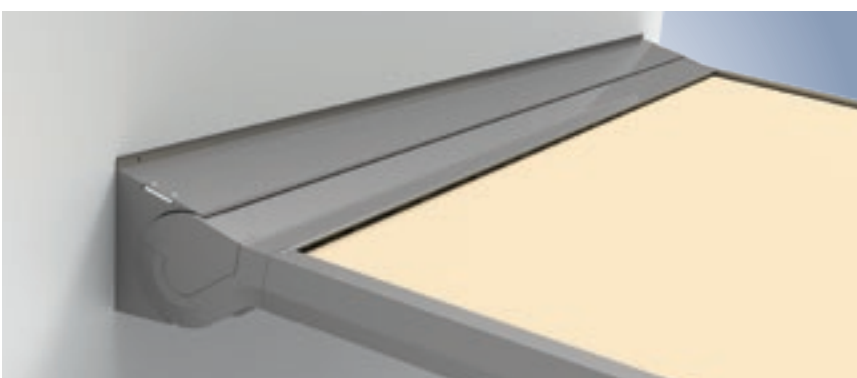
Paravento (optional)



The Paravento side screen is the perfect complement to the Plaza Viva pergola awning.

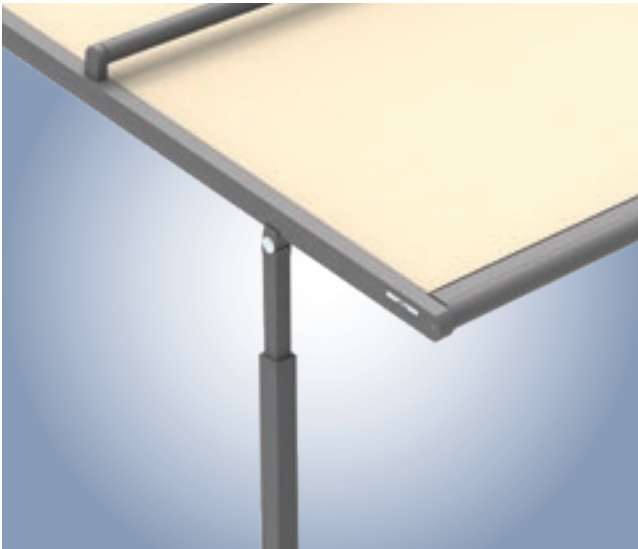
- Protects against cool side winds
- Shelters from prying eyes
- Heights of up to 250 cm and projections of up to 400 cm
- Easy to retrofit by attaching it to the Plaza Viva posts, a separate pole or a wall

Wall sealing profile (optional)

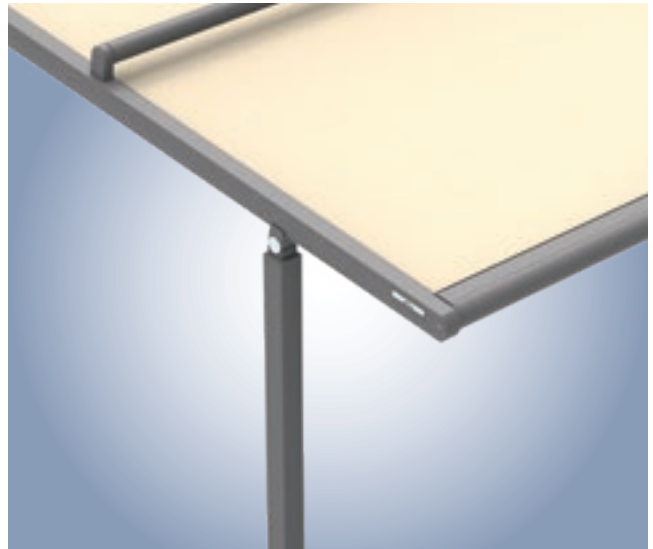


The wall sealing profile conceals the gap between the wall and the cassette. This is a useful option if there is no on-site protection above the cassette, e.g. a roof overhang.

Plaza Viva Fixed posts variants



Fixed post 50/70, with offset



Fixed post 70, continuous

Fixed posts

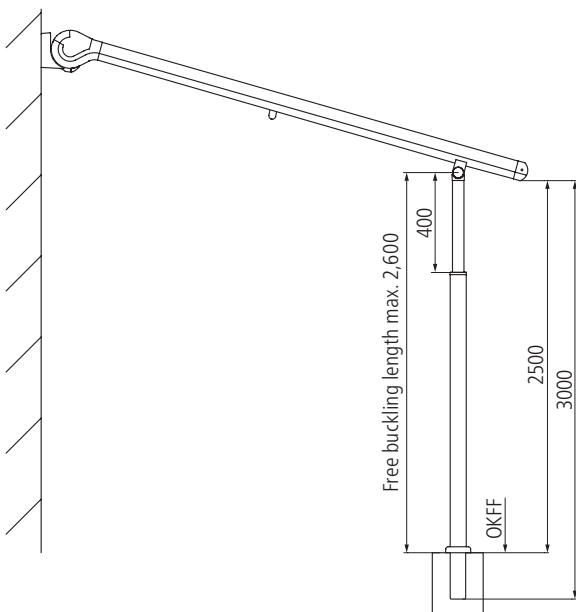
The following applies to both variants: The fixed post's standard length is 2,600 mm.

On request the fixed post's bottom sections can be supplied extra-long (e.g. for setting in concrete)

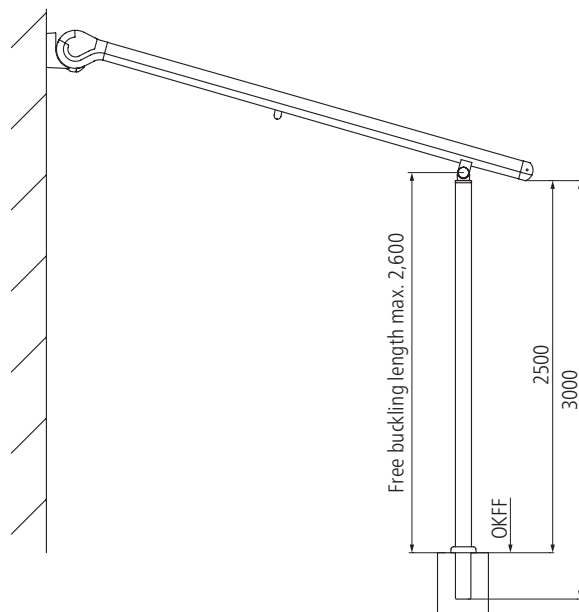
The post's recess measurement is min. 150 mm, max. 25% of the projection, max. 1,000 mm

Fixed post 50/70, with offset

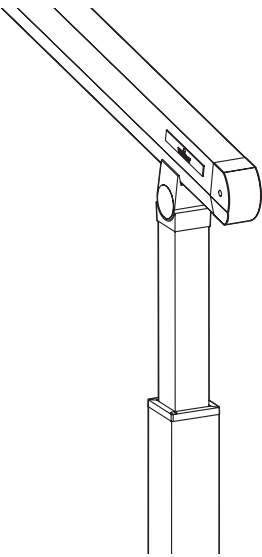
The inside post (50 x 50 mm) is always approx. 400 mm long.



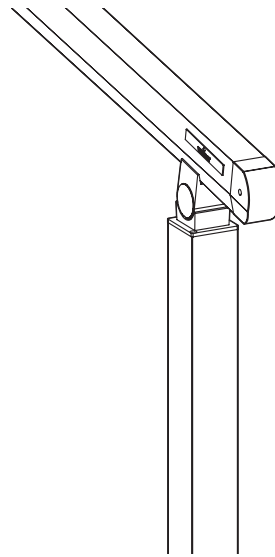
Fixed post 70, continuous



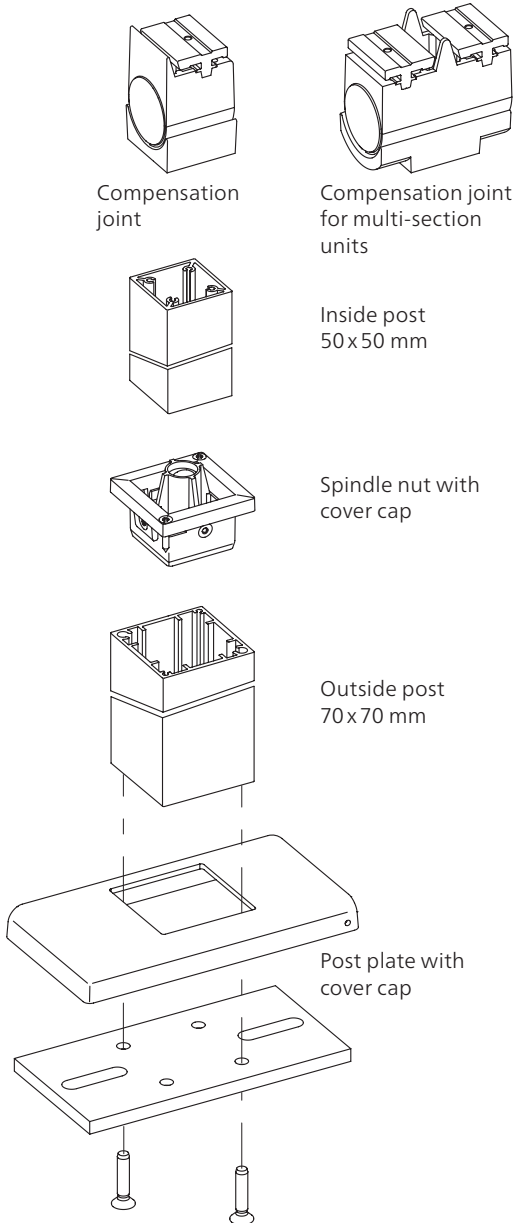
Plaza Viva Fixed posts variants



Fixed post 50/70, with offset



Fixed post 70, continuous



Compensation joint

Compensation joint for multi-section units

Inside post 50x50 mm

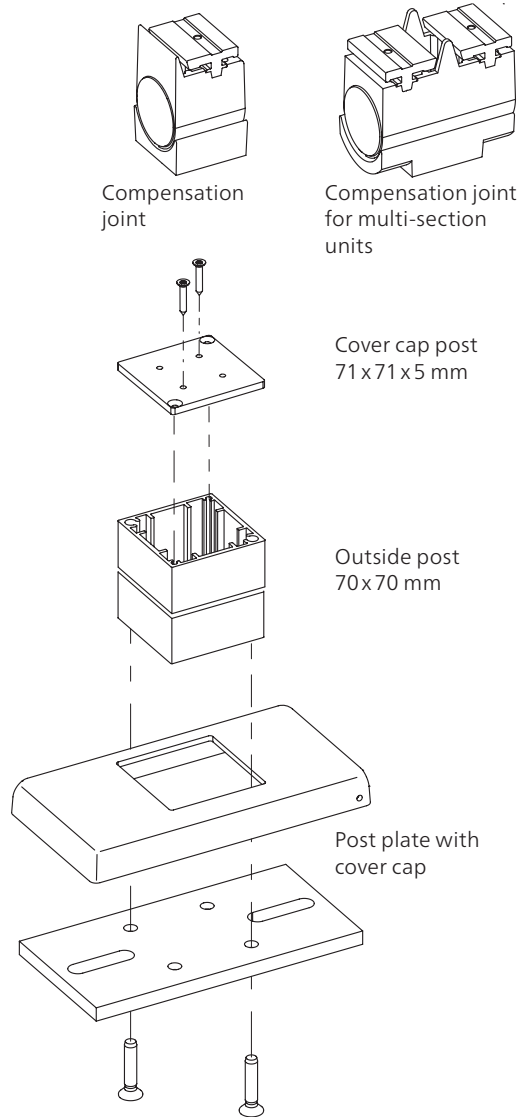
Spindle nut with cover cap

Outside post 70x70 mm

Post plate with cover cap

Post plate with cover cap

Post plate with cover cap



Compensation joint

Compensation joint for multi-section units

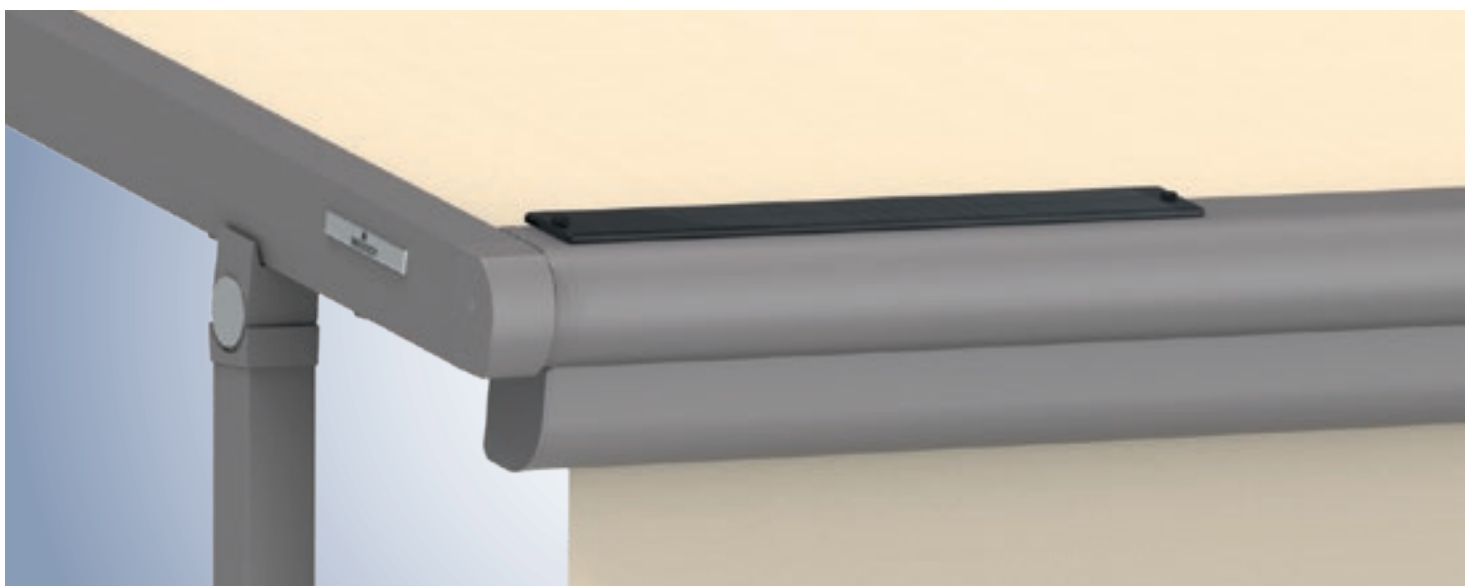
Cover cap post 71x71x5 mm

Outside post 70x70 mm

Post plate with cover cap

Post plate with cover cap

Plaza Viva Volant Plus



More privacy thanks to vertical privacy and sun screen (optional)

The gear or solar motor-driven Valance Plus is elegantly integrated into the Plaza Viva/LED front profile.

- Glare protection and privacy shield up to a maximum valance height of 210 cm
- The telescopic post should be located on the opposite side of the drive / operation and solar module side to ensure regulated water drainage.
- Only extend and retract the Valance Plus with the telescopic post cranked up
- Valance Plus use up to a Plaza Viva pitch of 4° to 20°.
- Valance Plus can be retrofitted
- With Valance Plus, the fabric support roller is always mounted above the side channel, this can also be retrofitted.
- Valance Plus with solar motor only possible combined with main drive Somfy io-homecontrol®
- Solar motor is not compatible with Somfy weather sensors
- The Valance Plus with gear drive should be extended and retracted slowly to guarantee that the fabric winds up neatly.

Technical data for solar module battery

Solar motor Somfy io-homecontrol® 12 V battery	
Voltage	12 V
Battery capacity	2200 mAh (at least 40 runs possible with a fully charged battery)
Charge time	approx. 11 h (solar panel, approx. 196 mA)

Should the solar charging performance be insufficient, the matching charging device (RS 100 Solar, article no. 9028028) can be ordered from Somfy. The front profile cover must be removed for connection.



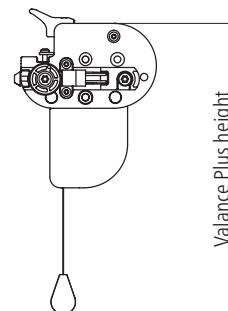
Volant Plus with solar motor



Volant Plus with gear drive



With retracted Valance Plus



V-shaped waves

On wider units and units which are mounted with special facades technology (distance tube, spreader plates, into insulated walls) symmetric v-shaped waves can occur from the sides. Reason for this, are the weight and structure on the fabric and the bending of the roller tube, which are transferring additional load onto the main brackets and the special fixings.

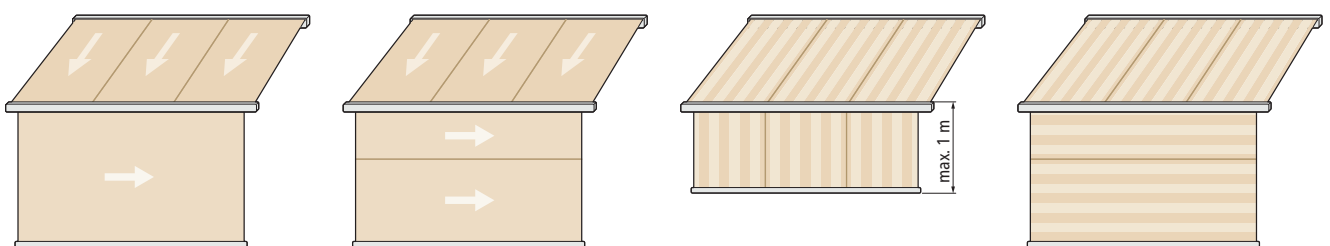
Please note: For Valance Plus, the Valance Plus front profile may close unevenly.



Available fabrics for the Valance Plus

	Soltis® 86, 92	Soltis® 86, 92	Acryl	Polyester			StarScreen	Fibreglass screen
Pattern	unicolour	unicolour	stripes	unicolour	unicolour	stripes	unicolour	
Roll width	177 cm	267 cm	120 cm	120 cm	250 cm**	120 cm	120 cm	325 cm
Valance length								
100 cm	N	N	L	N	–	L	N	N
150 cm	N	N	–	–	N	–	–	N
210 cm	Q	N	–	–	N	–	–	N

* max. roll widths are stipulated in the collection brochure – not available
 ** Seamless acrylic fabric: 3-509-250, 3-708-250, 3-716-250, 3-719-250, 3-720-250



N – Single colour seamless
 Seamless fabric, structure of the textile crosswise to the structure of the awning’s textile (recommended version).

Q – Single colour horizontal seam
 Fabric with horizontal seam (glued) either in the top or bottom third (recommended version).

L – Vertical block stripes
 Structure of the textile lengthwise to the structure of the awning’s textile, shifts of the patterns cannot be excluded.

Horizontal block stripes
 Structure of the textile crosswise to the main awning with horizontal seam (glued). **Only on request.**

We do not recommend striped fabrics with Valance Plus over 1 m, as the stripes have to be horizontally in this case.

The arrows show the direction of the fabric’s structure. The different running direction may lead to a subjective perception of the colour/brightness of the fabric.

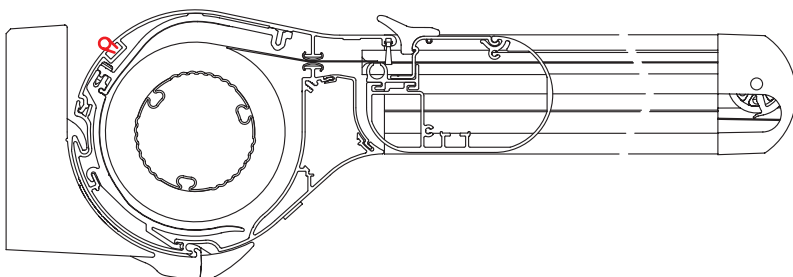
Plaza Viva Controls



Installation location for receiver, power supply pack and further electrical components

The receiver is accommodated in the cassette. The faceplate (not shown here) can be really easily opened for servicing purposes. The receiver is then easily accessible.

❶ The cover can be opened for servicing purposes, e.g. to disconnect the drive from the control components (only BiConnect).



Cables can be inserted into the channel on the back of the cassette using the V2 cable fixing elements.

weinor BiConnect radio technology

Product	Electronics	BiConnect control	Remote receiver	Transmitter
Plaza Viva	Plaza Viva drive	<ul style="list-style-type: none"> • BiRec receiver integrated into cassette 	BiRec MA-K	<ul style="list-style-type: none"> • BiEasy 1M/5M/15M Go! hand transmitter • 1MW-3V wall transmitter
Plaza Viva LED	Plaza Viva drive and LED lighting	<ul style="list-style-type: none"> • BiRec combi-receiver for main drive and LED spotlights (with integrated power supply pack) integrated into cassette • Dimmable LED 	BiRec MLED	<ul style="list-style-type: none"> • BiEasy 5M/15M Go! hand transmitter
Accessories (optional)	Tempura/Tempura Quadra heating system	<ul style="list-style-type: none"> • Dimmable, additional receiver required • Installation of the receiver in the design bar provided for this purpose or the Tempura Quadra box 	BiRec HD	<ul style="list-style-type: none"> • BiEasy 5M/15M Go! hand transmitter

Note: Plaza Viva Valance Plus is only available with gear drive

❶ We do not recommend any sensors when using telescopic posts and/or the Valance Plus. Nevertheless, if sensors are used, the Valance Plus or telescopic posts may only be used if the sensors are switched to manual operation.

Somfy io-homecontrol® radio technology

Product	Electronics	Somfy io-homecontrol control	Remote receiver	Transmitter
Plaza Viva	Plaza Viva drive	<ul style="list-style-type: none"> Somfy io remote-controlled motor integrated into cassette 	Somfy io remote-controlled motor	<ul style="list-style-type: none"> Situo 1 io Pure II/Situo 5 io Pure II/Situo 5 Variation A/M io Pure II hand transmitter Smooove 1 io Pure Shine wall transmitter
Plaza Viva LED	Plaza Viva drive and LED lighting	<ul style="list-style-type: none"> Somfy io remote-controlled motor integrated into cassette Additional Somfy receiver for the LED spotlights (with downstream power supply pack) integrated into cassette LED dimmable 	Somfy io remote-controlled motor and Lighting Receiver Variation io (dimmable)	<ul style="list-style-type: none"> Situo 5 io Pure II/Situo 5 Variation A/M io Pure II hand transmitter
Plaza Viva Volant Plus*	Plaza Viva and Valance Plus drive	<ul style="list-style-type: none"> Somfy io-homecontrol control Somfy io remote-controlled motor integrated into cassette Somfy io solar motor installed in front profile No table retraction protection 	Somfy io remote-controlled motors	<ul style="list-style-type: none"> Situo 5 io Pure II/Situo 5 Variation A/M io Pure II hand transmitter
Accessories (optional)	Tempura/Tempura Quadra heating system	<ul style="list-style-type: none"> Dimmable, additional receiver required Installation of the receiver in the design bar provided for this purpose or the Tempura Quadra box 	Heating Receiver Variation io 1.5 kW STAS3/STAK3 (dimmable)	<ul style="list-style-type: none"> Situo 5 io Pure II/Situo 5 Variation A/M io Pure II hand transmitter Smooove 1 io Pure Shine wall transmitter

*Solar motor is not compatible with Somfy weather sensors

Somfy RTS radio technology

Product	Electronics	Somfy RTS control	Remote receiver	Transmitter
Plaza Viva	Plaza Viva drive	<ul style="list-style-type: none"> Somfy RTS remote-controlled motor integrated into cassette 	Somfy RTS remote-controlled motor	<ul style="list-style-type: none"> Situo 1 RTS Pure II/Situo 1 Soliris RTS Pure II/Situo 5 RTS Pure II/Situo 5 Soliris RTS Pure II hand transmitter Smooove 1 RTS Pure Shine wall transmitter
Plaza Viva LED	Plaza Viva drive and LED lighting	<ul style="list-style-type: none"> Somfy RTS remote-controlled motor integrated into cassette Additional Somfy receiver for the LED spotlights (with downstream power supply pack) integrated into cassette LED not dimmable 	Somfy RTS remote-controlled motor and Lighting Slim Receiver RTS	<ul style="list-style-type: none"> Situo 5 RTS Pure II/Situo 5 Soliris RTS Pure II hand transmitter



Note:

Please see the "Accessories" technical brochure for further details regarding the drive and control.

Some options are subject to a surcharge. For prices, please refer to the weinor awnings price list.

Plaza Viva Controls

Hard wired with Somfy control

Product	Electronics	Hard wired Somfy control	Control
Plaza Viva	Plaza Viva drive	<ul style="list-style-type: none"> Somfy control for awning drive 	e.g. Soliris Smoove Uno
Plaza Viva LED	Plaza Viva drive and LED lighting	<ul style="list-style-type: none"> Somfy control for awning drive Switch on site for the LED spotlights LED power supply pack integrated into the cassette LED not dimmable 	e.g. Soliris Smoove Uno and suitable light switch (on site)
Accessories (optional)	Tempura/Tempura Quadra heating system	<ul style="list-style-type: none"> Not dimmable 	Suitable switch (on site)

Hard wired (existing switch/power supply on site)

Product	Electronics	Hard wired control	Control
Plaza Viva	Plaza Viva drive	<ul style="list-style-type: none"> Awning switch for the awning drive 	e.g. double rocker switch switch (on site)
Plaza Viva LED	Plaza Viva drive and LED lighting	<ul style="list-style-type: none"> Awning switch for the awning drive Switch on site for the LED spotlights LED power supply pack integrated into the cassette LED not dimmable 	e.g. double rocker switch and suitable light switch (on site)
Accessories (optional)	Tempura/Tempura Quadra heating system	<ul style="list-style-type: none"> Not dimmable 	Suitable switch (on site)

Power supply pack for option LED (hard wired)



Power supply pack for LED option

The power supply pack provides the voltage and current intensity required to operate the LED. It is only necessary for the LED option.

Product	Position of the power supply pack
Plaza Viva LED Plaza Viva LED OptiStretch	<ul style="list-style-type: none"> In the cassette
Plaza Viva Plaza Viva OptiStretch	<ul style="list-style-type: none"> No power supply pack necessary

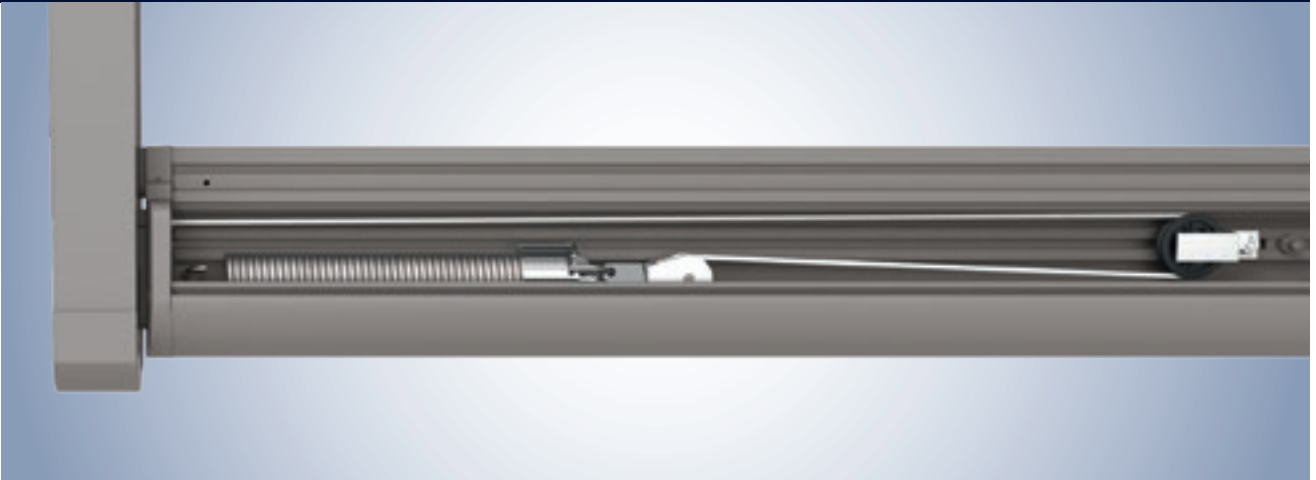


Installation location for power supply pack for option LED

The power supply pack is located in the cassette and is easily accessible. The installation location is not required for drives without LED options and remains empty.

Plaza Viva Stretch/OptiStretch

The Stretch and OptiStretch system in comparison



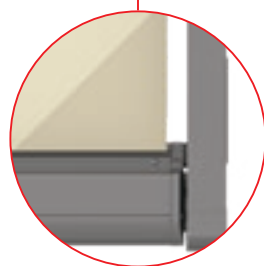
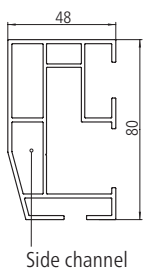
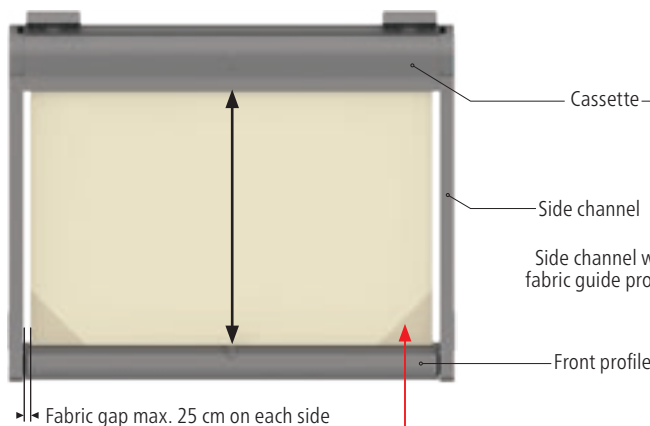
02

The Plaza Viva Stretch and OptiStretch consist of identical frame constructions and use the same tried and tested weinor clamping system with a new flat rope that winds up extremely quietly. The fabric guide is the difference between the two systems.

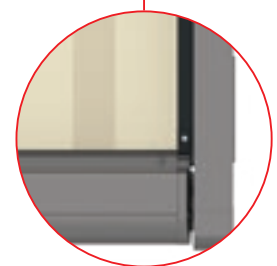
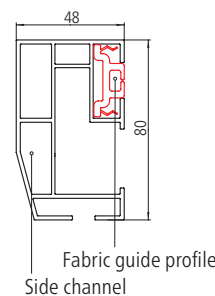
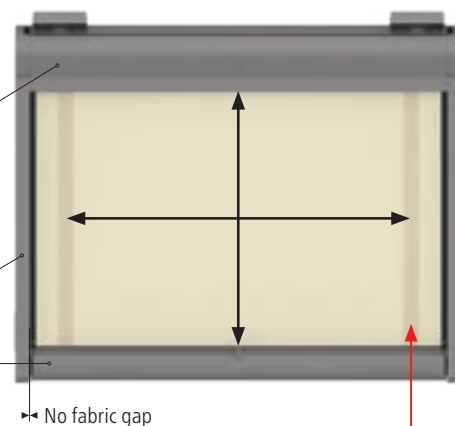
In the Stretch System, the fabric is tensioned between the fabric roller bearing and the front profile in the ascending direction, while in the OptiStretch, the fabric is additionally guided sideways in the guide rail.

The OptiStretch thus achieves a significantly higher degree of fabric tensioning. The fabric slack depends on the width and drop of the Plaza Viva and can be up to 15 cm.

The Stretch system



The OptiStretch system

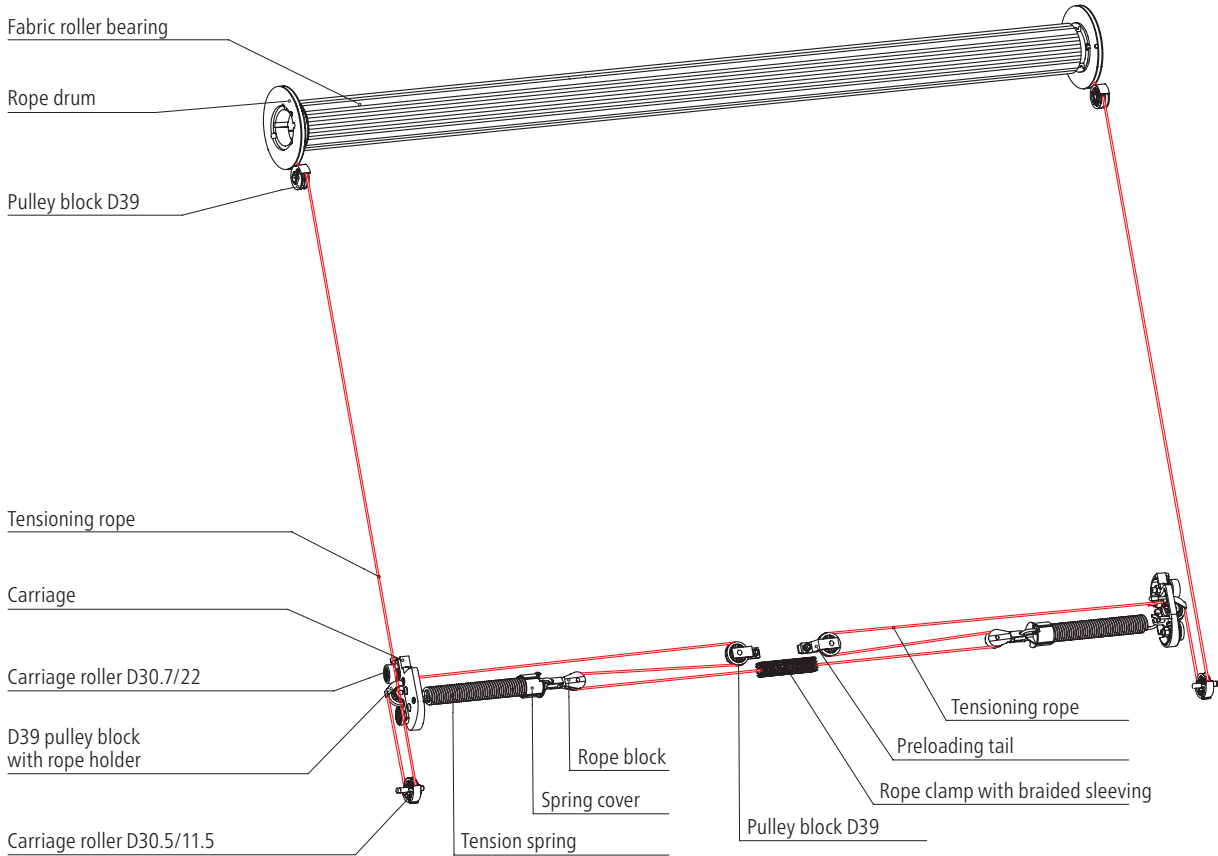


- Held captive on 2 sides
- With corner reinforcement
- Cost-effective solution
- Easy installation
- Fabric gap up to 25 mm
- Good fabric tension also for Soltis® fabrics

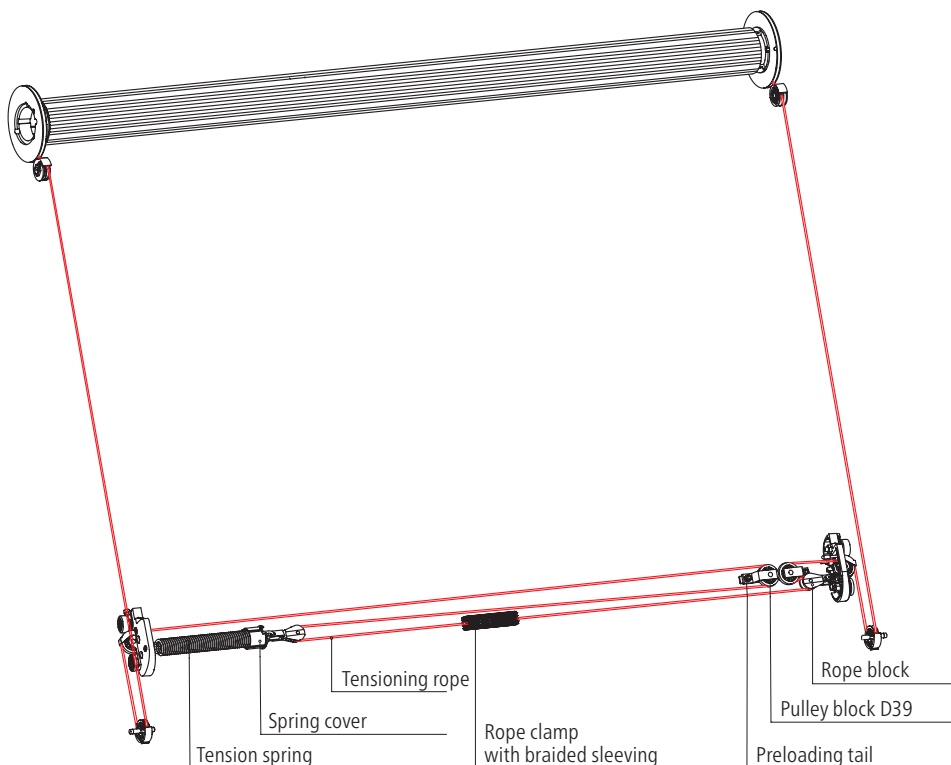
- Held captive on 4 sides
- With strip reinforcement
- No edges hanging down the sides
- No light gap
- Soltis® fabrics are not available for the OptiStretch version

Fabric tensioning technology Rope clamping system

Tension system with 2 tensioned springs (number of springs depends on the projection and width)

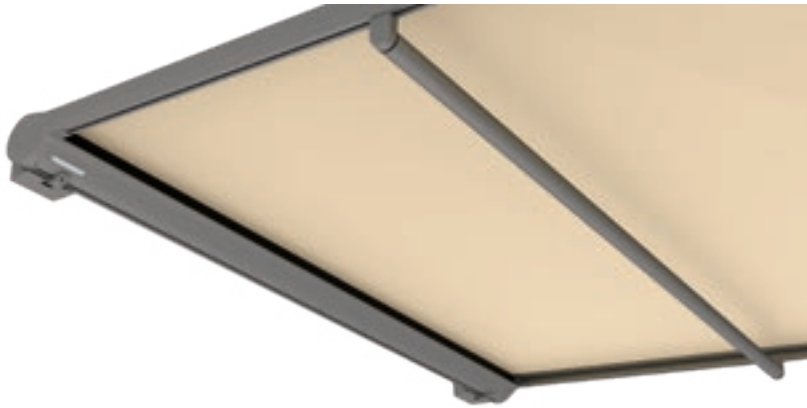


Tension system with 1 tensioned spring (depends on projection and length of spring)



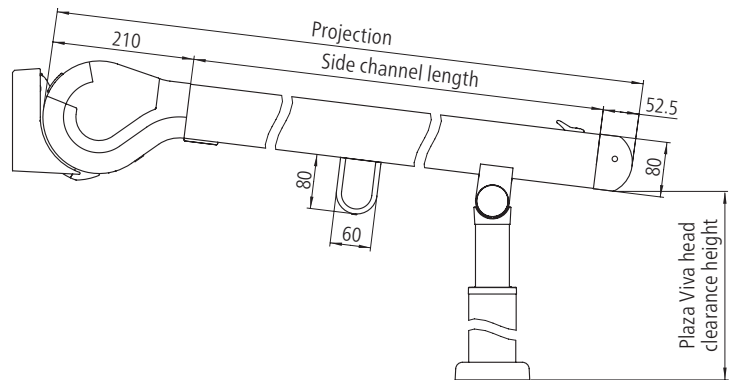
Plaza Viva Planning

Use of fabric support roller at bottom



A fabric support roller is used at the bottom as standard with a projection > 4000 mm. With locations exposed to winds we recommend using additional fabric roller supports (option). The fabric support rollers can be retrofitted at any time without too much effort.

Plaza Viva head clearance height

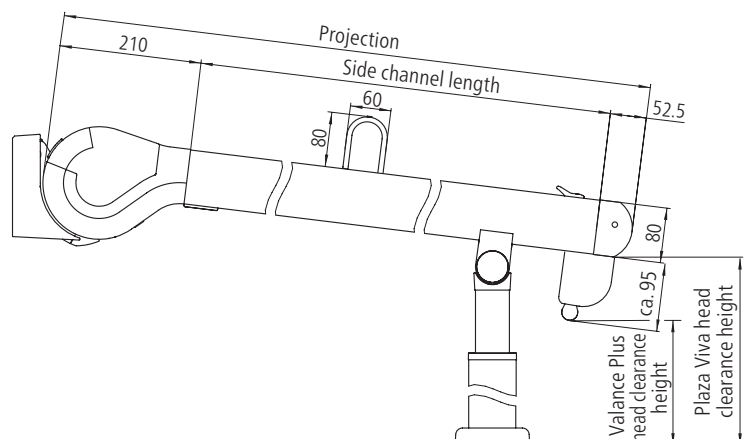


Use of fabric support roller at top (with Valance Plus option)



With the Valance Plus option the fabric support roller (from a projection > 4000 mm) is fitted at the top as standard, can also be retrofitted.

Plaza Viva with Valance Plus head clearance height



The Plaza Viva with Valance Plus head clearance height depends on the angle of pitch and is a maximum of approx. 95 cm less than the calculated Plaza Viva head clearance height.

Multi-section units

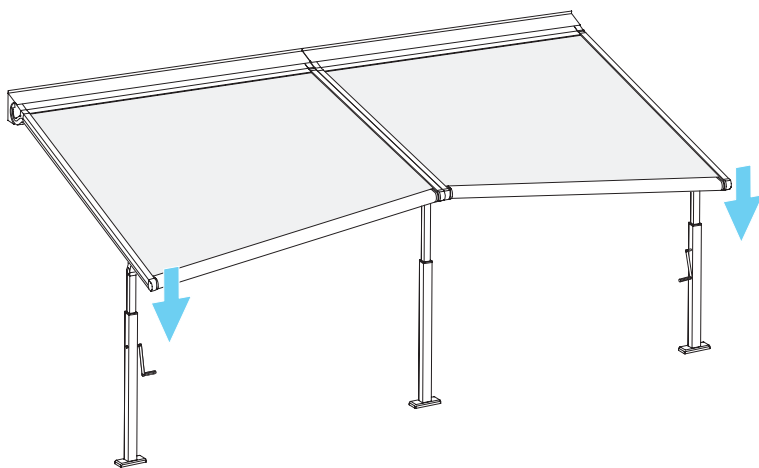


The maximum size of a Plaza Viva is 6,000 x 5,000 mm. Wider systems can be extended easily to become a multi-section unit by placing single-unit systems next to each other, the total width for multi-section units is 12 meters, max. 50 m² fabric area (see table below).
 The single-unit systems installed next to each other have a separate motor drive and can thus be retracted and extended separately. The telescopic post can only be used on the right and left but not in the centre.

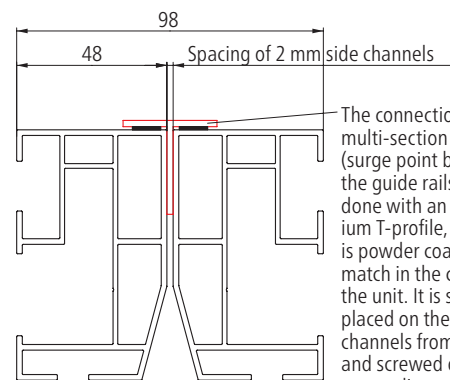
Fabric area Plaza Viva multi-section units

Projection in cm	Width in cm											
	650	700	750	800	850	900	1,000	1,050	1,100	1,150	1,200	
200												
250												
300												
350												
400											46 m ²	48 m ²
450									47.25 m ²	49.5 m ²		
500								50 m ²				

producible



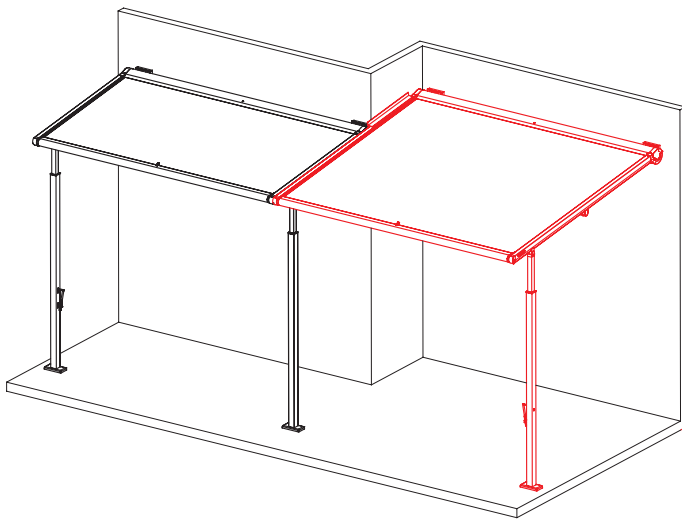
Multi-section unit with telescopic post on right and left



Sealing multi-section units

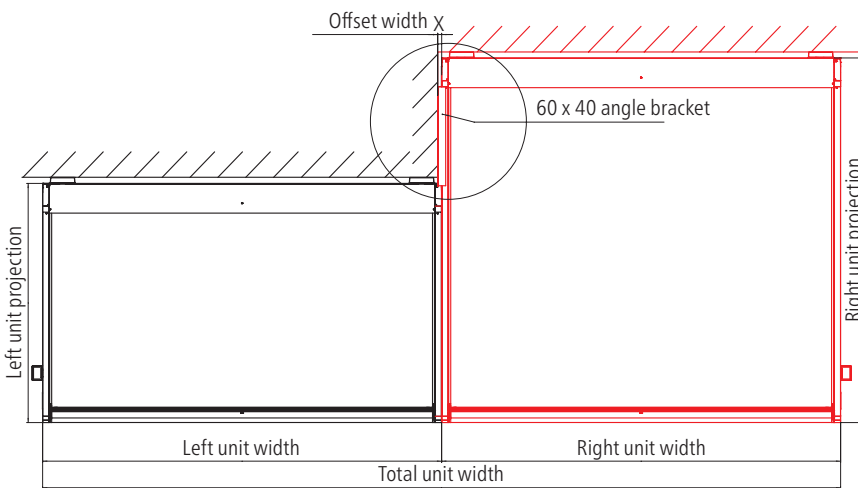
The connection of multi-section units (surge point between the guide rails), is done with an aluminium T-profile, which is powder coated to match in the colour of the unit. It is simply placed on the side channels from above and screwed on, corresponding adhesive tape for sealing is already attached. Then, only the round contour on the cassette will need to be sealed with a permanently elastic jointing compound.

Multi-section units with wall offset

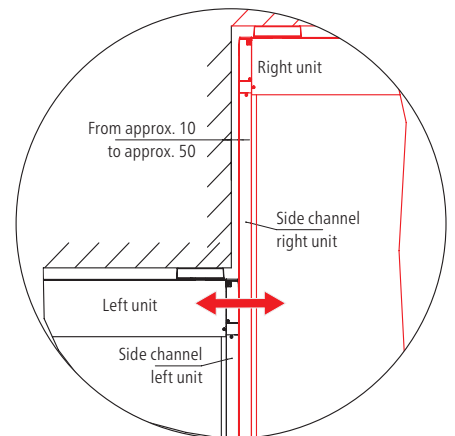


Multi-section unit with offset (profile view)

On request, various offset versions can be produced (e.g. wall offset).

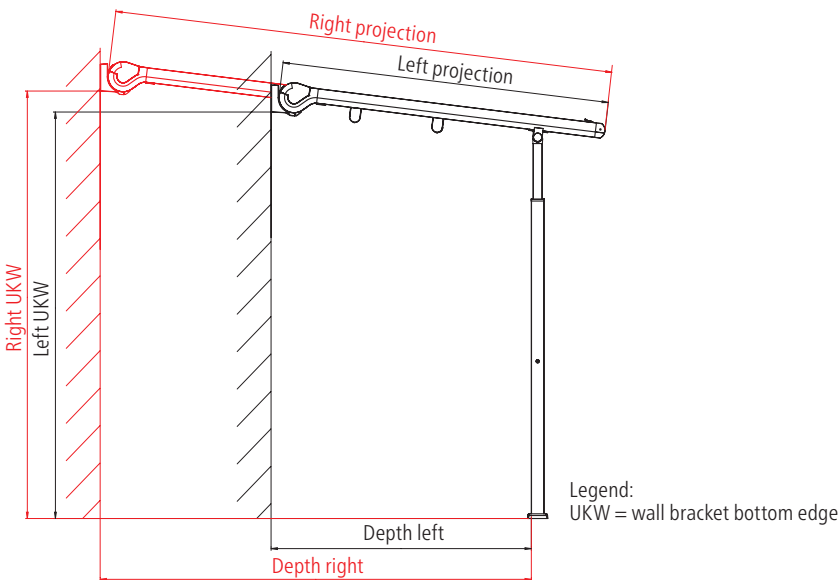


Multi-section unit with offset (top view)



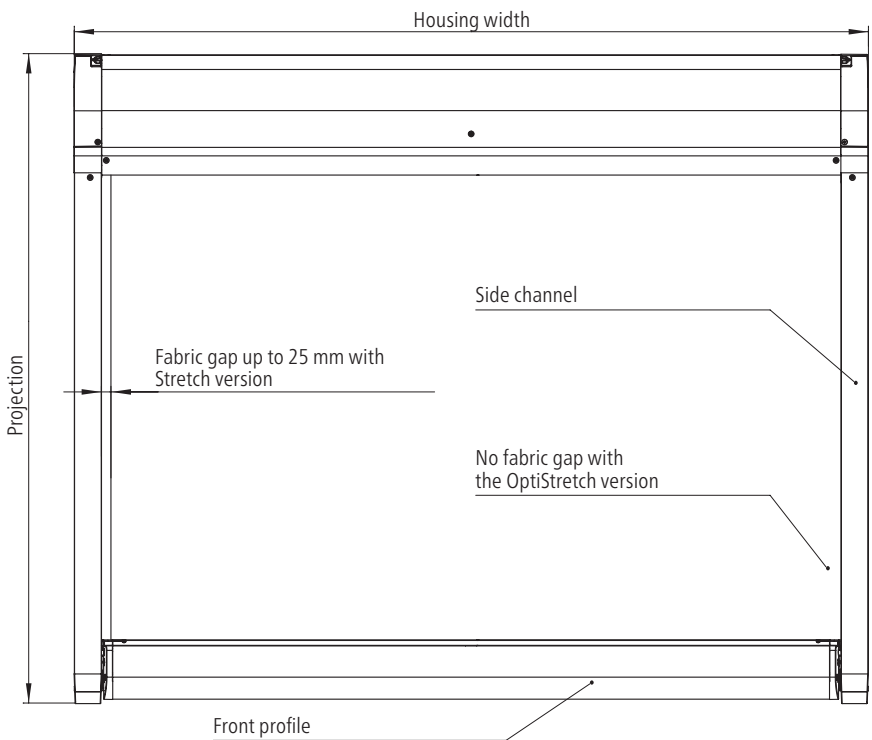
The gap (10-50 mm) between the wall offset and unit can optionally be covered with a bracket.

The gap between the wall and cassette can also optionally be covered with a wall sealing profile.



Multi-section unit with offset (profile view)

General view

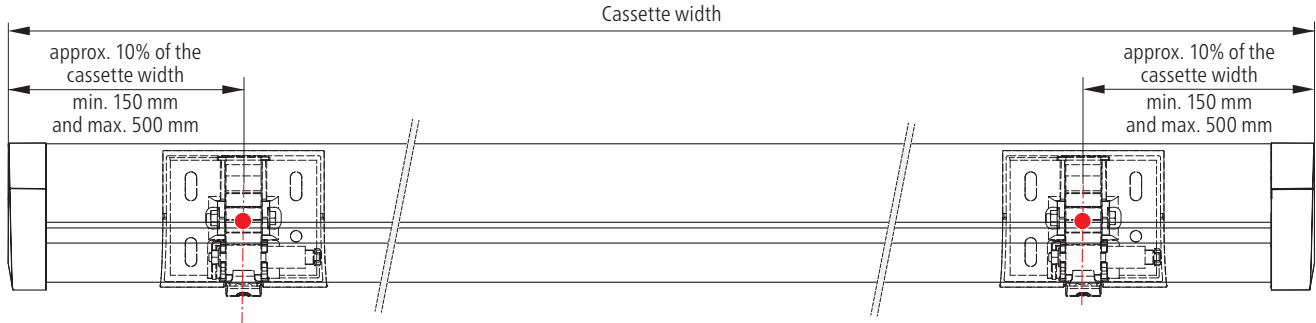


Top view of Plaza Viva Stretch

The fabric gap at the side is up to 25 mm in the Stretch version, depending on the cassette width and the projection.

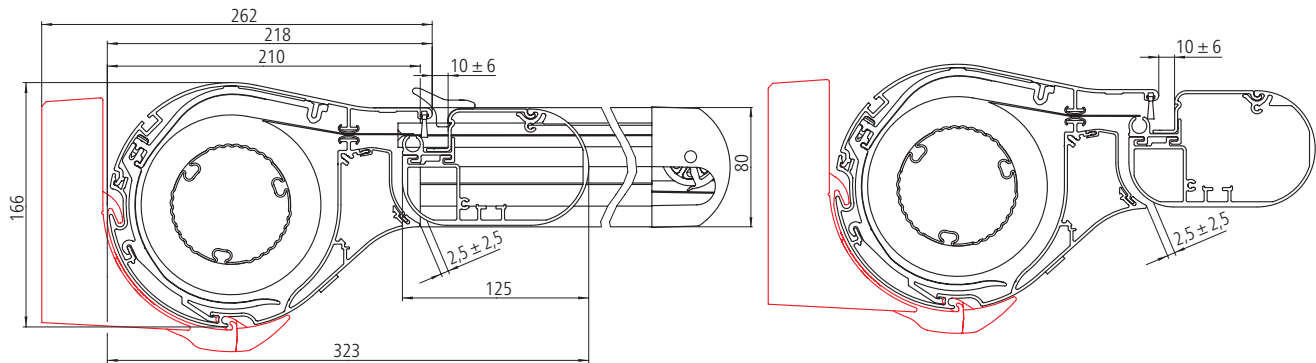
There is no fabric gap in the OptiStretch version.

Position of wall brackets



Plaza Viva cross-section

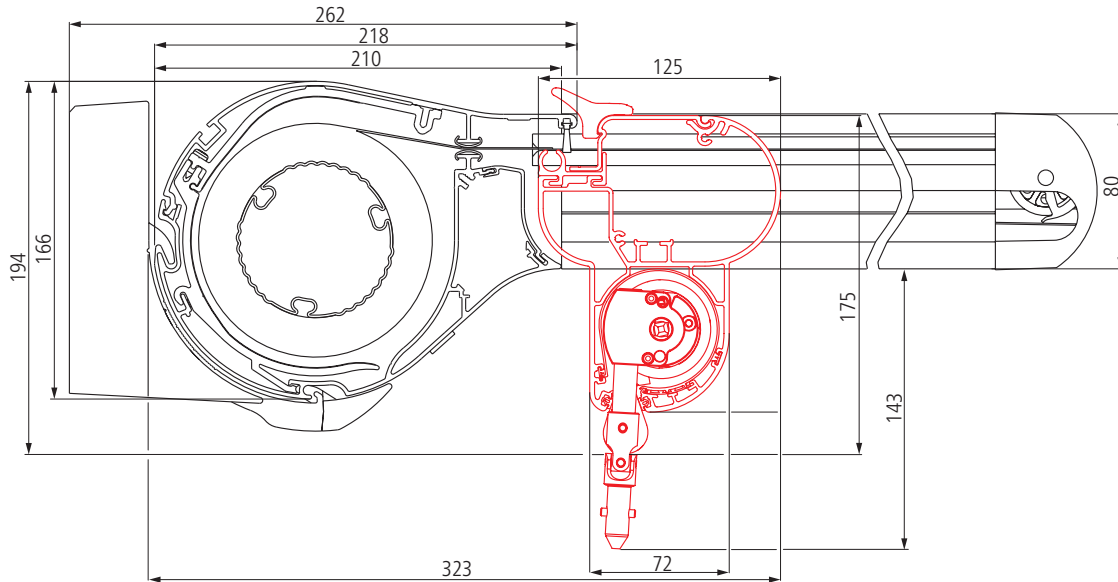
Plaza Viva cross sections and dimensions



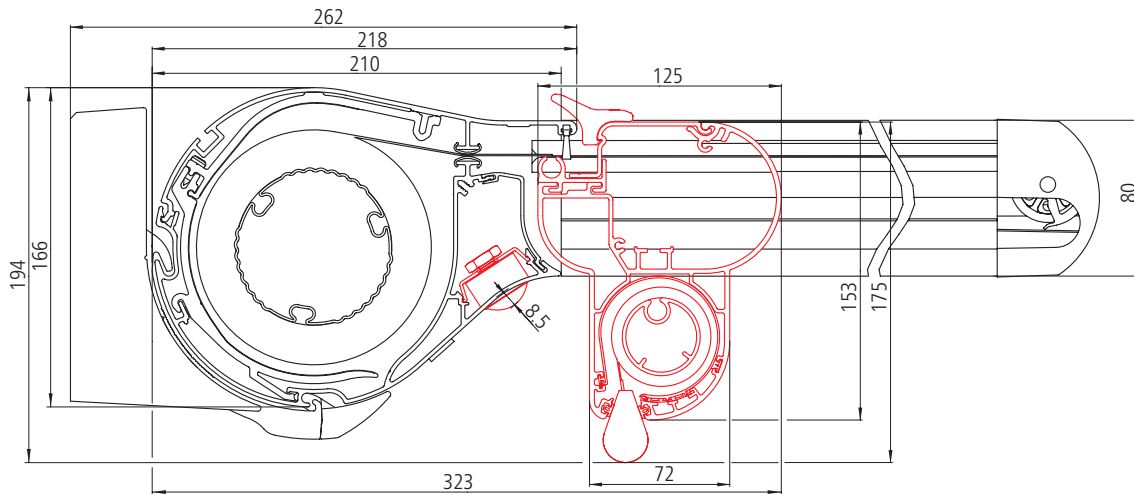
Note: Please observe the tolerances.

Cross-sections

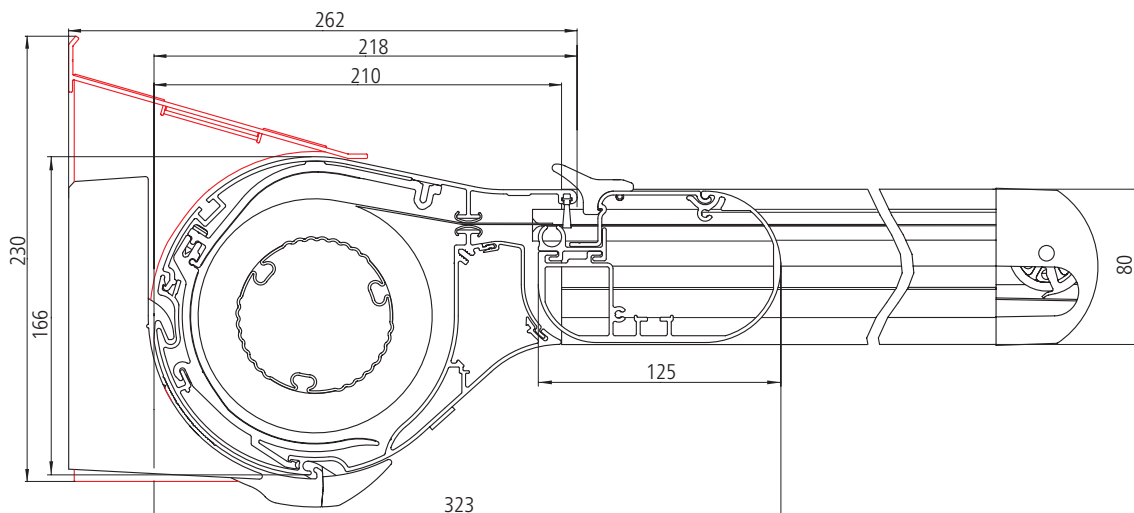
Plaza Viva Valance Plus cross sections and dimensions with gear handle



Plaza Viva LED and Valance Plus cross sections and dimensions



Plaza Viva with wall connection roof cross sections and dimensions



Determining dimensions

The patio depth (T) and projection (B) as well as installation height and delta using the example of the angle of pitch 4°, 5°, 10°, 14°, 20° and 25° can be determined using the following tables.

Fixed post: determining the patio depth (T) and projection (B)

Determining the patio depth (T) (up to inside edge of post)

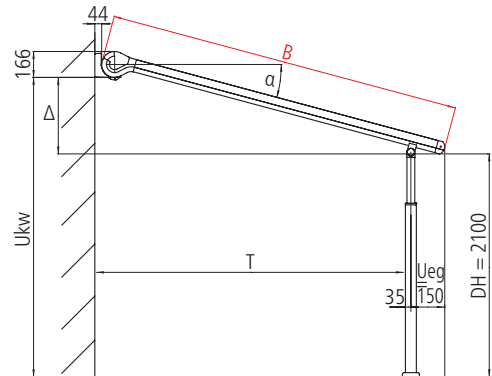
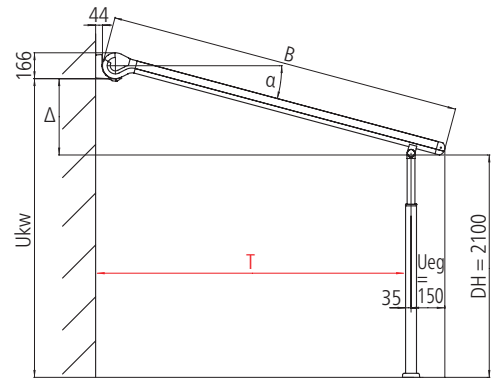
Angle of pitch (α)	Projection B (in mm)					
	2500	3000	3500	4000	4500	5000
4°	2355	2854	3353	3851	4350	4849
5°	2352	2850	3348	3846	4344	4842
10°	2326	2819	3311	3804	4296	4788
14°	2294	2779	3265	3750	4235	4720
20°	2224	2693	3163	3633	4103	4573
25°	2146	2599	2923	3506	3959	4412

Patio depth (T) in mm (rounded figures)

Determining the projection (B)

Angle of pitch (α)	Patio depth (T) in mm					
	2500	3000	3500	4000	4500	5000
4°	2645	3147	3648	4149	4650	
5°	2649	3151	3653	4155	4657	
10°	2676	3184	3692	4200	4707	
14°	2712	3227	3743	4258	4773	
20°	2794	3326	3859	4391	4923	
25°	2890	3442	3994	4546		

Projection (B) in mm (rounded figures)



Telescopic post: determining the patio depth (T) and projection (B)

Determining the patio depth (T) (up to inside edge of post)

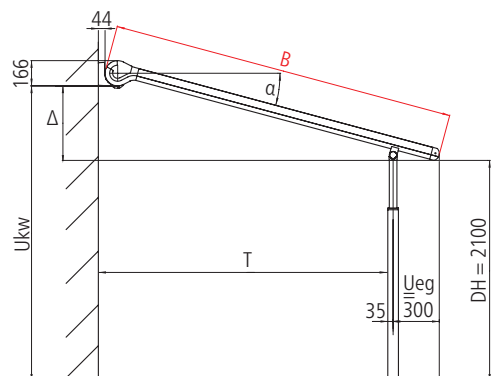
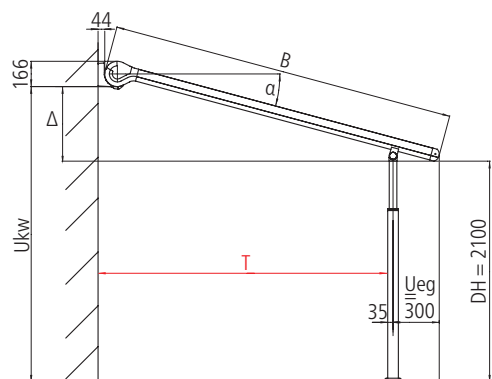
Angle of pitch (α)	Projection B (in mm)					
	2500	3000	3500	4000	4500	5000
4°	2225	2724	3223	3721	4220	4719
5°	2222	2720	3218	3716	4214	4712
10°	2196	2689	3181	3674	4166	4658
14°	2164	2649	3135	3620	4105	4590
20°	2094	2563	3033	3503	3973	4443
25°	2016	2469	2923	3376	3829	4282

Patio depth (T) in mm (rounded figures)

Determining the projection (B)

Angle of pitch (α)	Patio depth (T) in mm					
	2500	3000	3500	4000	4500	5000
4°	2776	3277	3778	4279	4781	
5°	2779	3281	3783	4285	4787	
10°	2808	3316	3824	4332	4839	
14°	2846	3361	3877	4392	4907	
20°	2933	3465	3997	4529		
25°	3034	3586	4137	4689		

Projection (B) in mm (rounded figures)



Determining dimensions

Determining the installation height (Ukw) and delta (Δ)

Determining the patio depth (T) (up to inside edge of post)

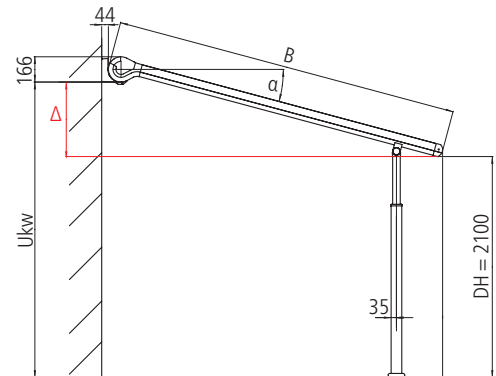
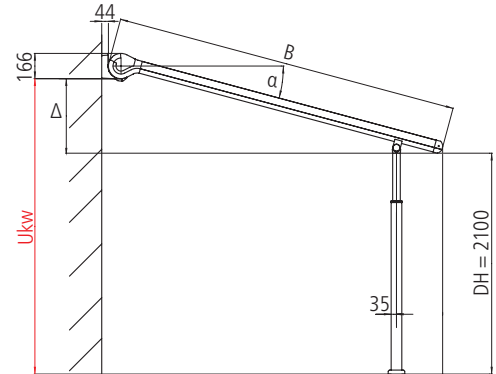
Angle of pitch (α)	Projection B (in mm)					
	2500	3000	3500	4000	4500	5000
4°	2202	2237	2272	2307	2342	2377
5°	2244	2288	2332	2375	2419	2462
10°	2452	2539	2625	2712	2799	2886
14°	2615	2736	2857	2978	3099	3220
20°	2854	3025	3196	3367	3539	3710
25°	3047	3258	3470	3681	3892	4104

Wall bracket bottom edge installation height (Ukw) in mm (rounded figures)

Determining the delta: difference between the wall bracket bottom edge (Ukw) and head clearance height (DH)

Angle of pitch (α)	Projection B (in mm)					
	2500	3000	3500	4000	4500	5000
4°	102	137	172	207	242	277
5°	144	188	232	275	319	362
10°	352	439	526	613	700	787
14°	515	636	757	878	999	1120
20°	754	925	1096	1267	1438	1609
25°	947	1158	1370	1581	1792	2004

Delta (Δ) in mm (rounded figures)

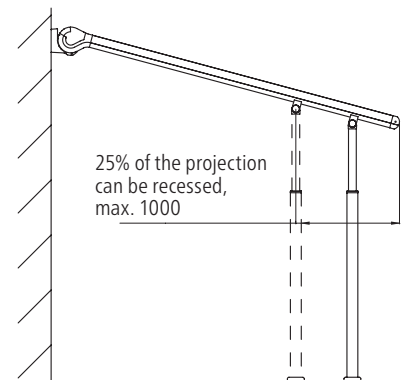


Recess measurement

The posts can be recessed by up to approx. 25% of the projection and a maximum of 1000 mm. Installation tolerances are specified made-to-order on the installation sheet.

Important:

- Plaza Viva with fixed post: there is no risk of pooling from a pitch of 14°
- Plaza Viva with telescopic post: there is no risk of pooling from a pitch of 4° and with fully lowered post
- The Plaza Viva with fixed posts complies with rain class 2 from a pitch of 14°
- With telescopic posts it already complies with rain class 2 from a pitch of 4° with fully lowered telescopic post



Legend:

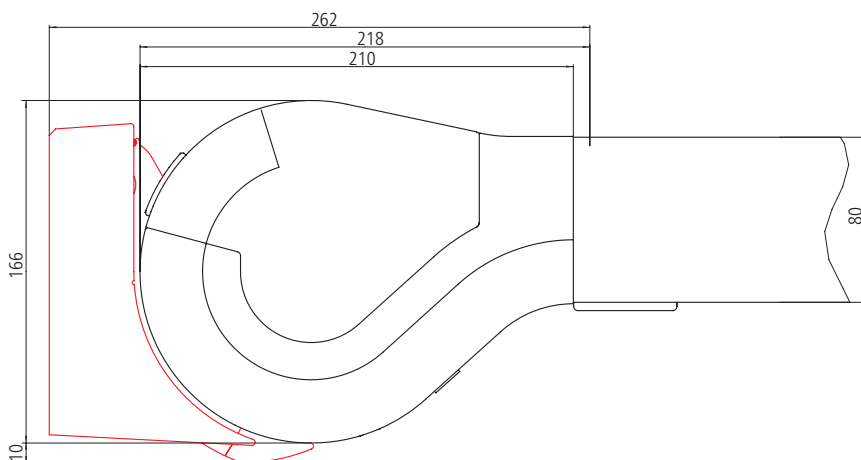
- B = projection
- α = angle of pitch (roof pitch)
- Ukw = wall bracket bottom edge
- Δ = height difference (Ukw – DH)
- T = patio depth
- Ueg = straight overhang
- DH = head clearance height

Plaza Viva installation

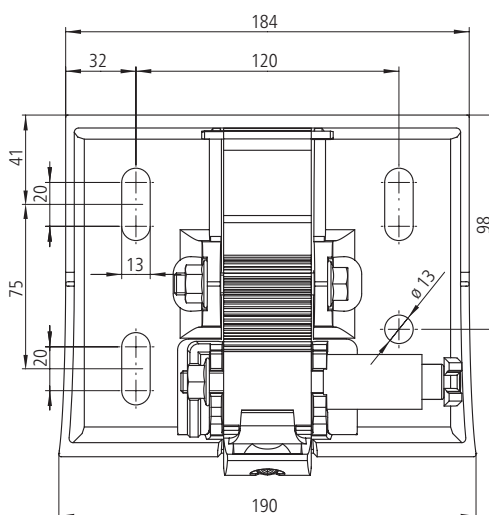
Wall mounting



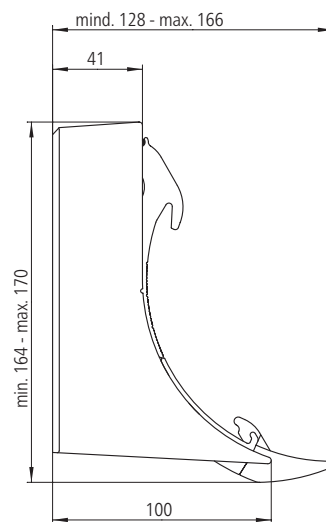
Wall bracket



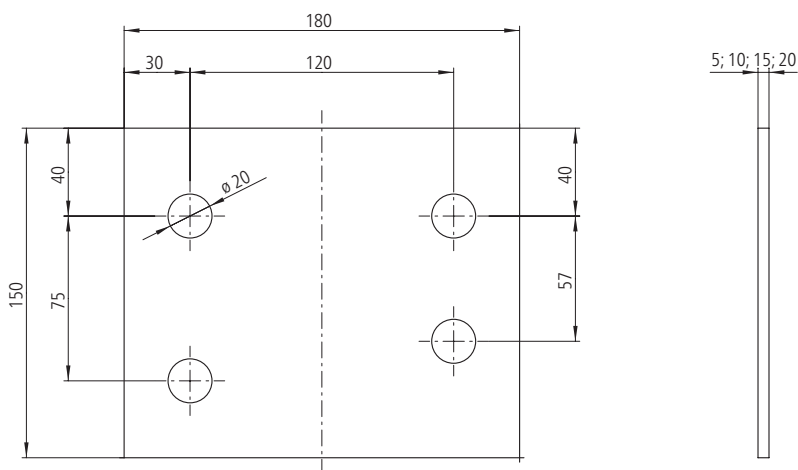
Wall bracket (fixed view)



Wall bracket (floating view)



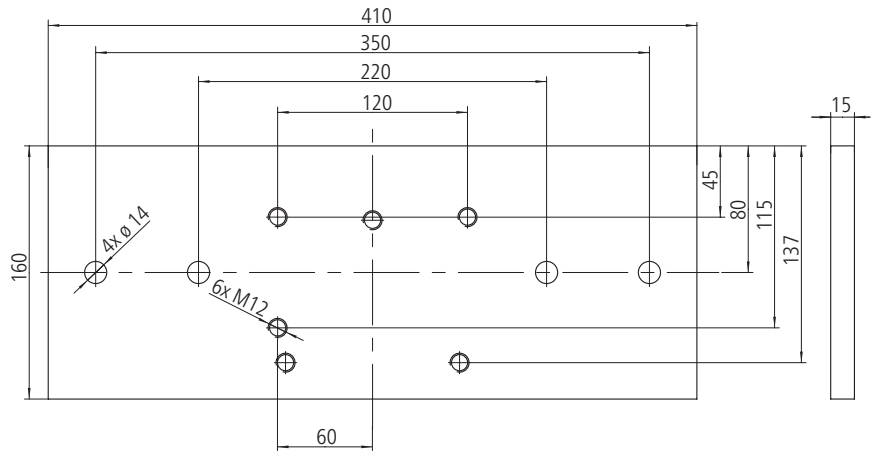
Wall bracket base plate



Wall mounting – mounting plates



Ceiling front plate 410 x 160 x 15 mm

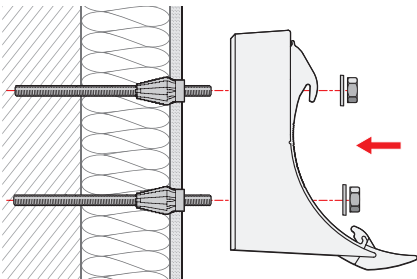


02

Note for front ceiling mounting:

The indicated extraction forces apply to a storey above with a thickness of at least 160 mm. Here, the fixings are installed exactly in the centre of the storey above, so that there is a minimum upward and downward edge distance of 80 mm. For this mounting type, a lining, e.g. with 150 x 50 mm box sections, is required. Here, the lower edge of the box section must be flush with the lower edge of the storey above.

Installation on insulated facades using Fischer Thermax 12/16



The Thermax 12/16 stand-off installation system from Fischer is suitable for insulated facades as it allows for secure fixing.

Plaza Viva Installation

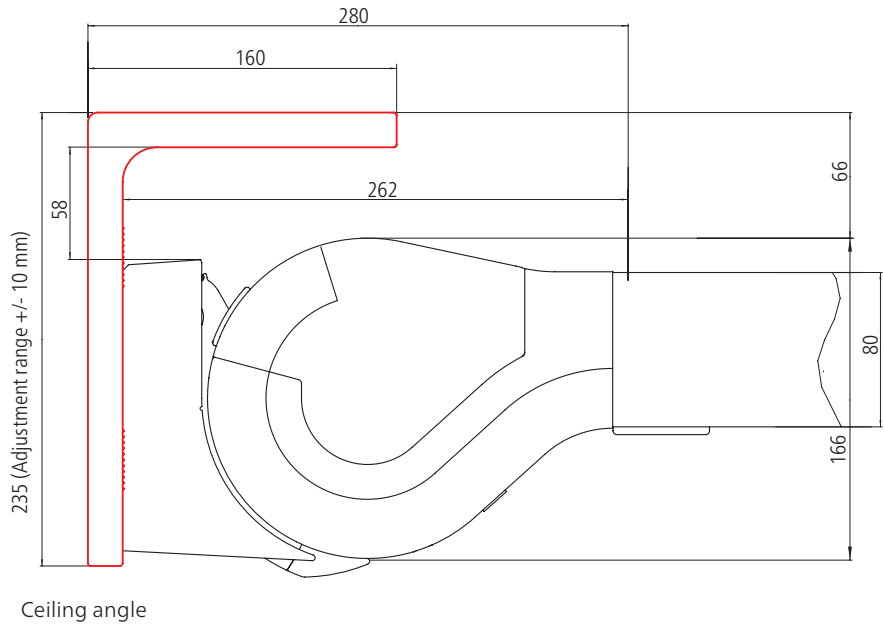
Ceiling mounting



235 x 160 x 18 x 180 mm roof mounting with angle bracket, complete



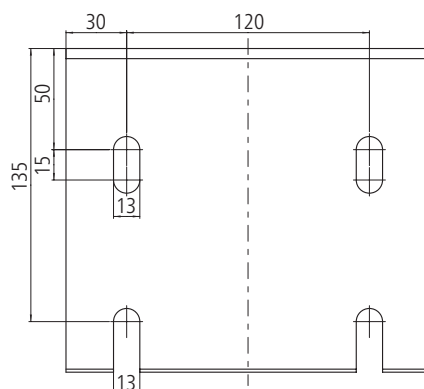
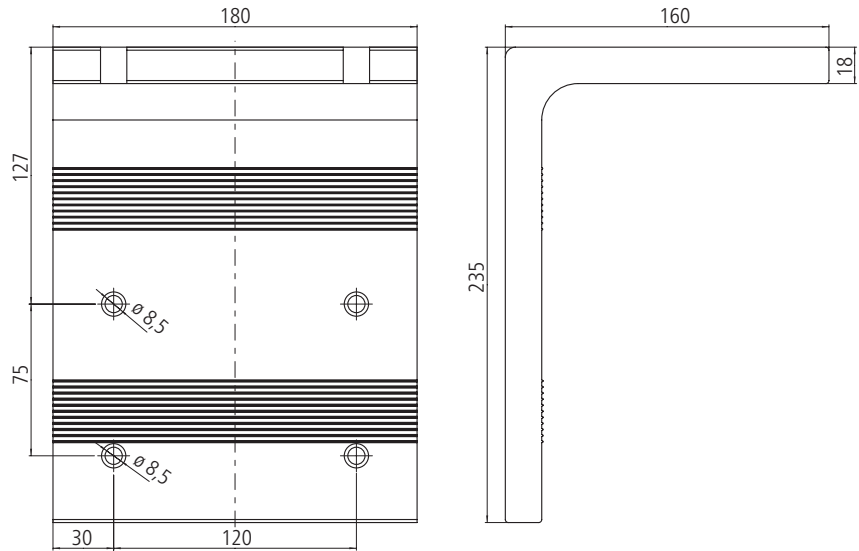
235 x 160 x 18 x 180 mm angle bracket, complete (roof mounting)



Possible use on roof



Front and rear installation option for ceiling bracket



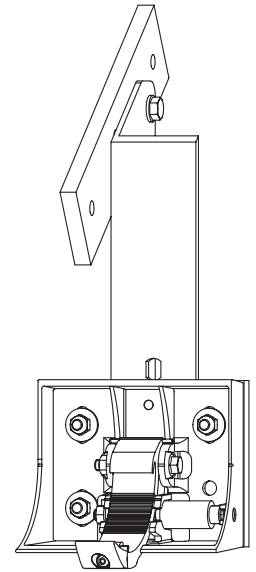
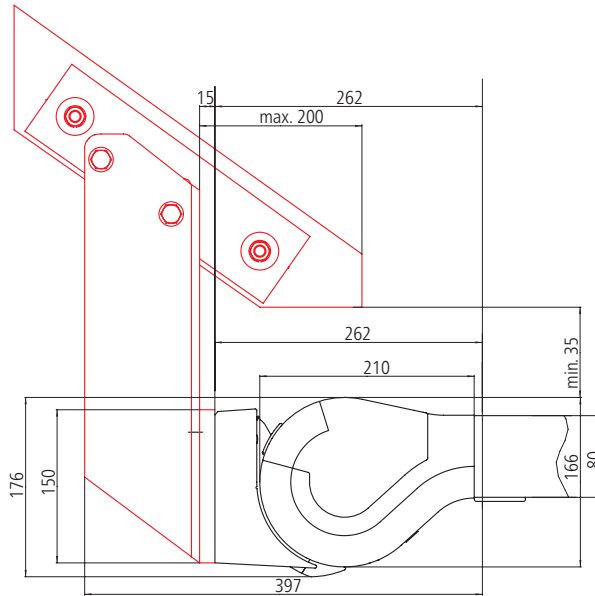
Rafter mounting



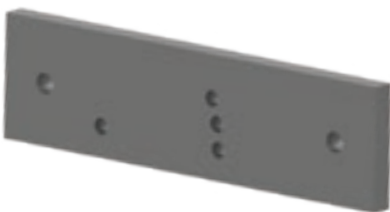
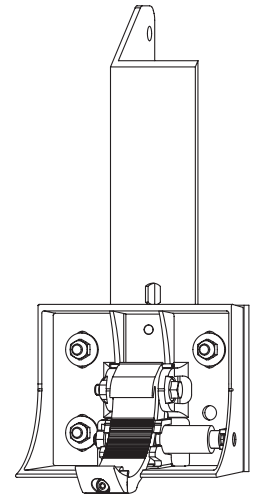
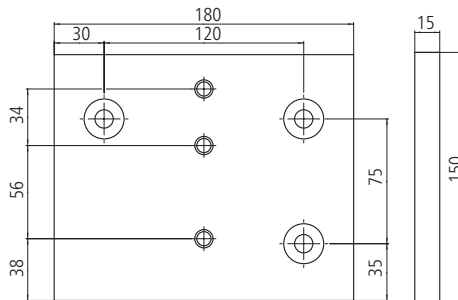
Rafter bracket



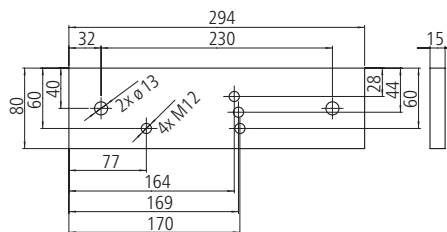
Rafter bracket with mounting plate and wall bracket



Adaptor plate for rafter bracket
180 x 150 x 15 mm



Mounting plate for rafter bracket
294 x 80 x 15 mm



Plaza Viva Installation

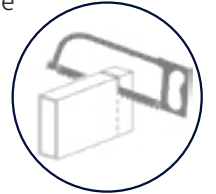
Installation with stand off bracket (special bracket)



80 to 300 mm gaps can be bridged using the stand off bracket.

The stand off bracket can be cut to size on site if required. But for a more durable quality and better

appearance weinor recommends ordering the bracket to the required dimensions, as it will be fully powder coated leaving no raw edges.



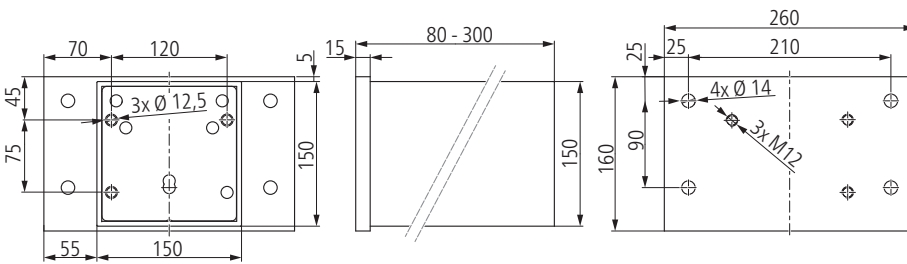
Plaza Viva with stand off bracket, e.g. to overcome a soil pipe



Stand off bracket for wall bracket



Stand off bracket with wall bracket



Installation on roof using a stilt (special bracket)



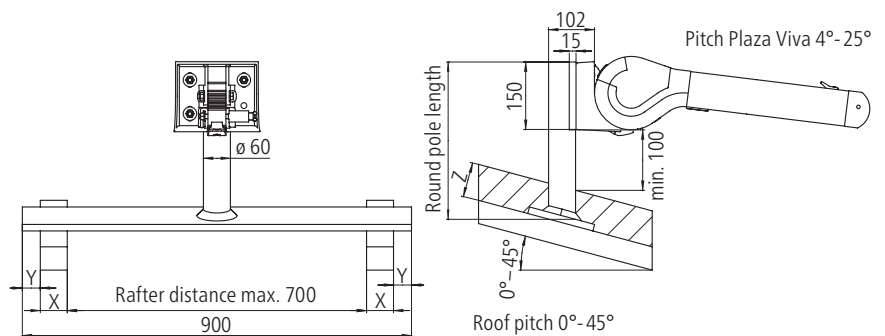
Use of stilt

This special bracket is used for example under roof tiles. The longer plate is mounted under the roof tiles and sealed again on site. This mounting holes are drilled on site after determining the position.

Please note: We need the house roof angle and length of the round pole (stilt) to install the stilt.



Three-piece special bracket (mounting plate, stilt, wall bracket)



Use for installation on a roof

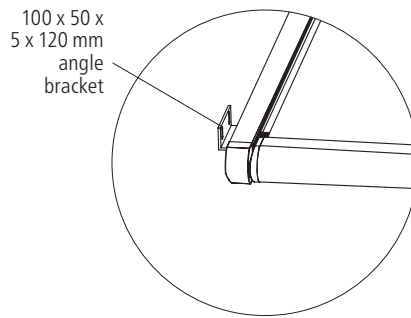
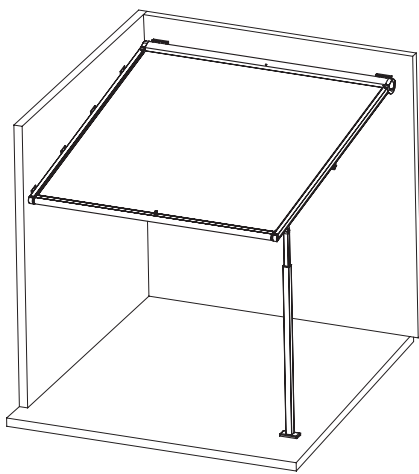
X = rafter thickness

Y = stilt adjustment range = $(900 - \text{rafter distance} - 2x) / 2$

Z = height of roof structure (tiles etc. ...)

Plaza Viva Installation

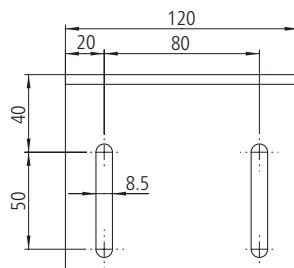
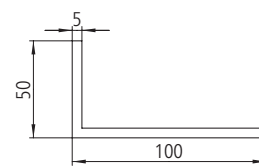
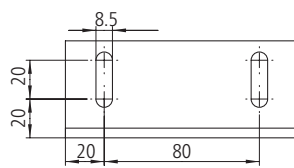
Installation of Plaza Viva laterally on a wall or in a niche



The Plaza Viva can also be mounted on a lateral wall, niche or next to a Terrazza using the 100 x 50 x 5 x 120 mm wall-mount angle bracket.



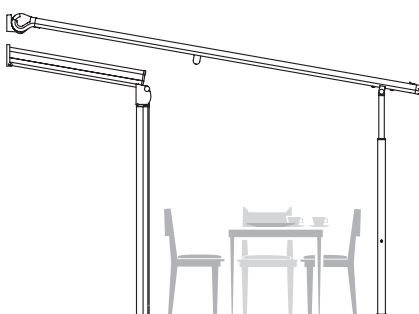
100 x 50 x 5 x 120 mm wall-mount angle bracket



Other application examples

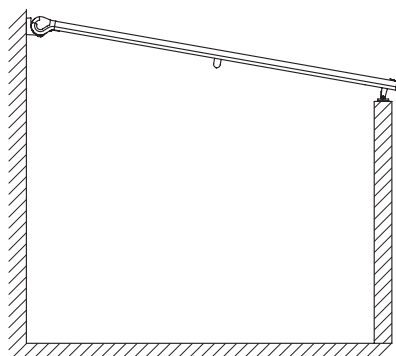
Plaza Viva installation beyond a patio roof and/or conservatory

The Plaza Viva is installed on the wall on site using wall brackets and the projection is extended (the head clearance height must be noted for this). With installation without telescopic posts, the Plaza Viva can also be fixed onto the conservatory using support brackets.



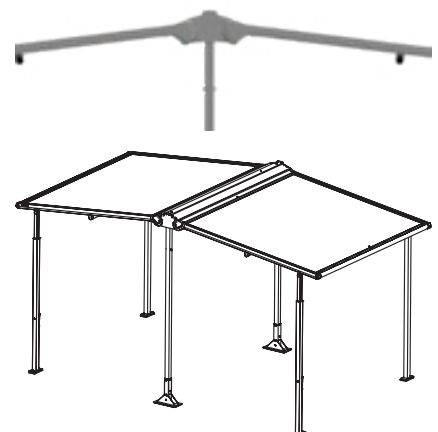
Installation on a wall (without posts)

If there is a wall on the opposite side, it is possible to mount the Plaza Viva onto the wall without posts using adjustable support brackets.



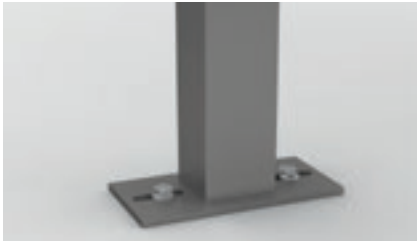
Duofix supporting structure

Two Plaza Viva can be mounted on our Duofix supporting structure to achieve an even larger area of sun shade.



Post installation

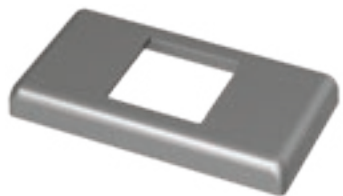
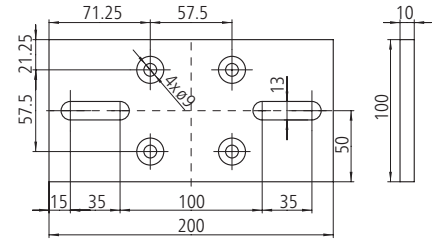
Post plates



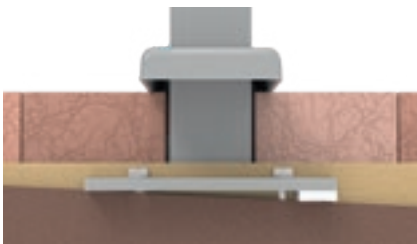
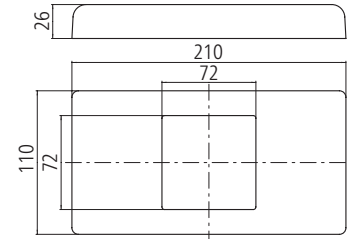
Standard post plate
(installation on even ground)



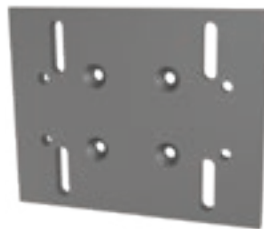
Post plate 200 x 100 x 10 mm



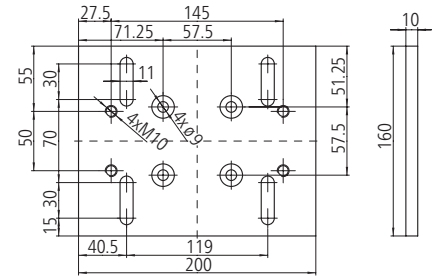
Post plate cover cap 210 x 110 x 26 mm



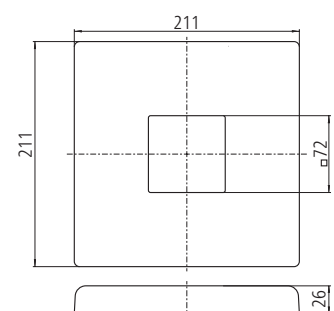
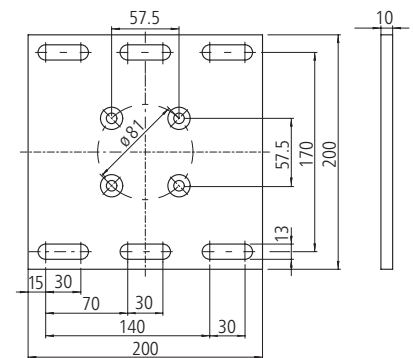
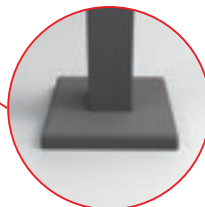
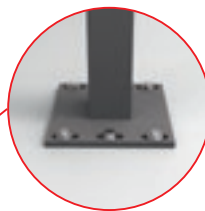
Adjustable post plate for installation
on uneven ground and Krinner screw
foundation systems KSF F



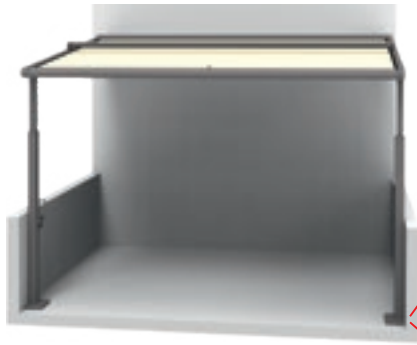
Post plate 200 x 160 x 10 mm



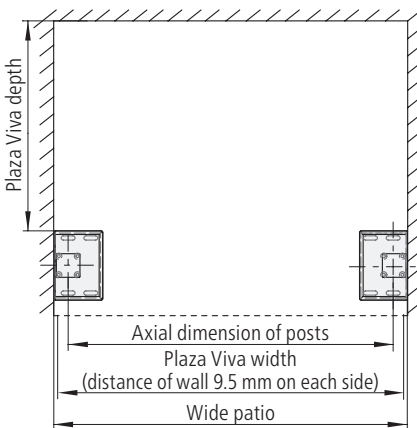
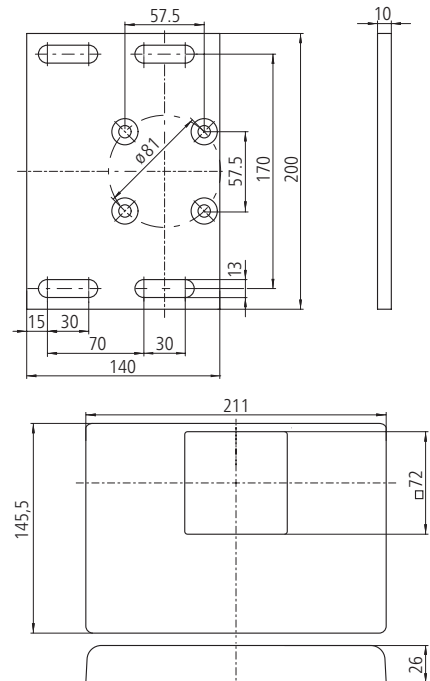
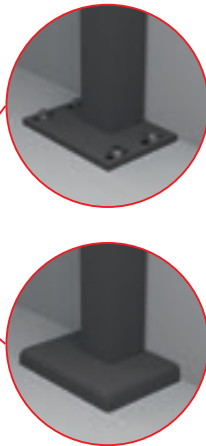
Post plate 200 x 200 x 10 mm



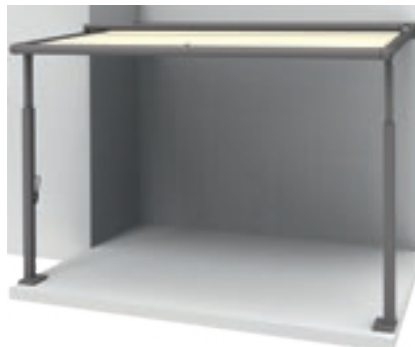
Post installation



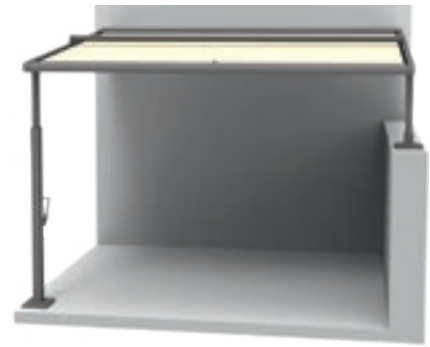
Post plate 200 x 140 x 10 mm on lateral wall



Plaza Viva mounting on a terrace with lateral wall

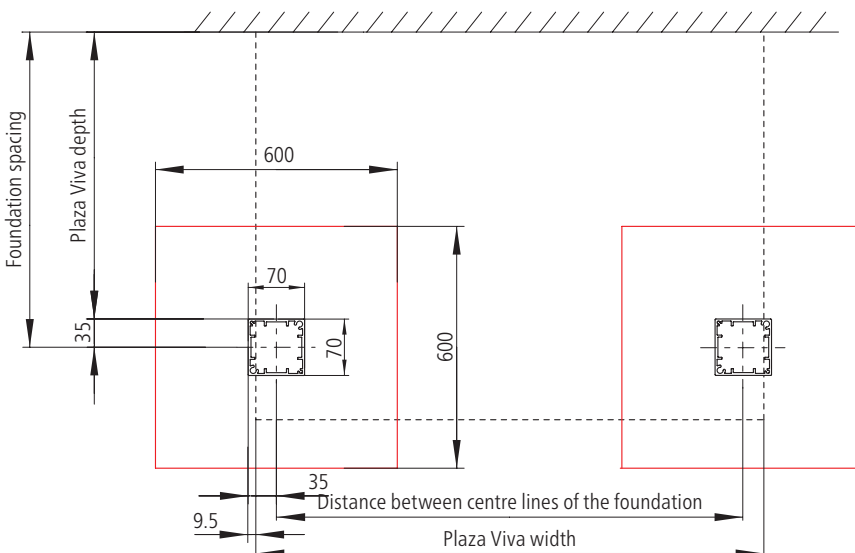


Mounting post plate 200 x 140 x 10 mm with lateral wall offset



Mounting post plate 200 x 140 x 10 mm on a wall

Post foundation planning



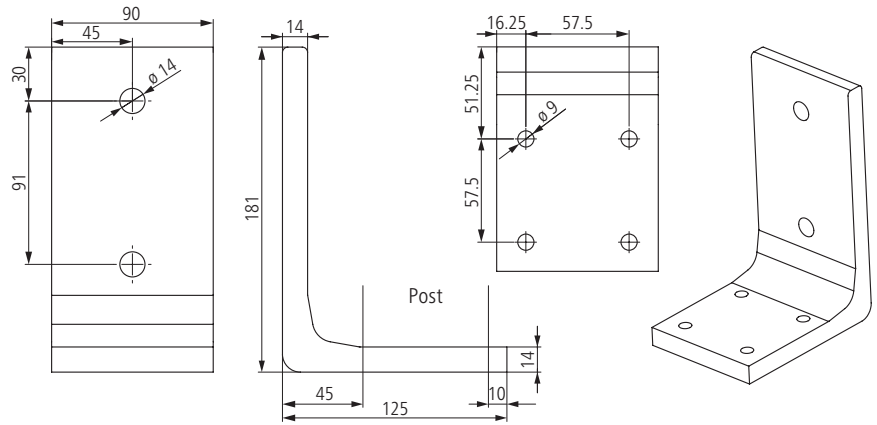
Note

The size of the foundation depends on the quality of the ground, the acting loads and the climate conditions (frost depth). The size specified here assumes unfavourable conditions. A smaller foundation may also be adequate depending on the structural conditions.

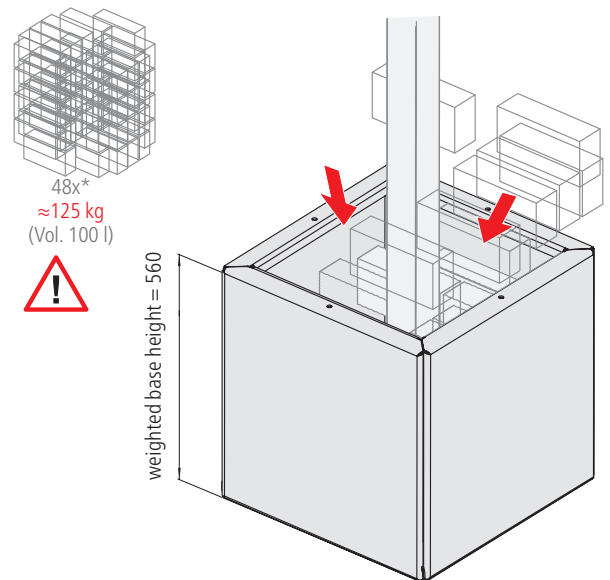
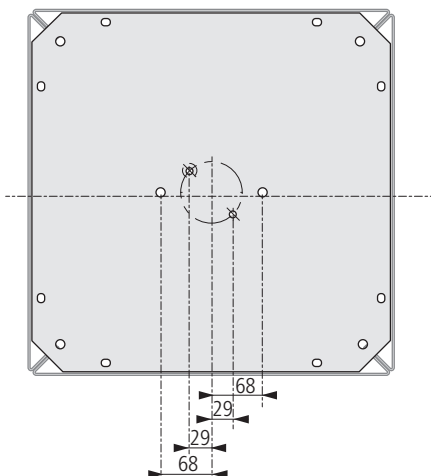
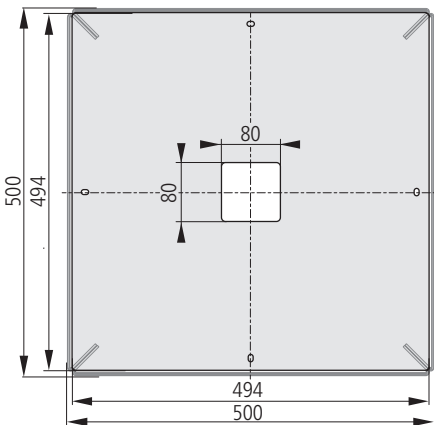
Installation with angle bracket



Angle bracket with posts



Post installation weighted base for posts

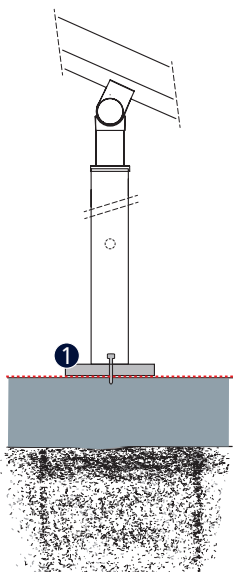


- Note:**
- The weighted base for posts has a size of approx. 500 x 500 mm, the height is approx. 560 mm.
 - As a weighting it is recommended to use 48 stones in size 200 x 100 x 60 mm. This corresponds to a weight of about 125 kg.
 - The weighted base for posts is not suitable for use on wind-exposed places.

Post installation

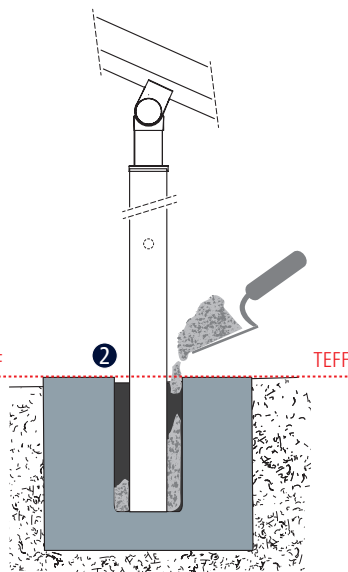
Post fixation on concrete floor slabs ①

The standard configuration is the installation of the Plaza Viva with post plates on a given concrete floor. The finished cut length of the post is always indicated on the assembly sheet.



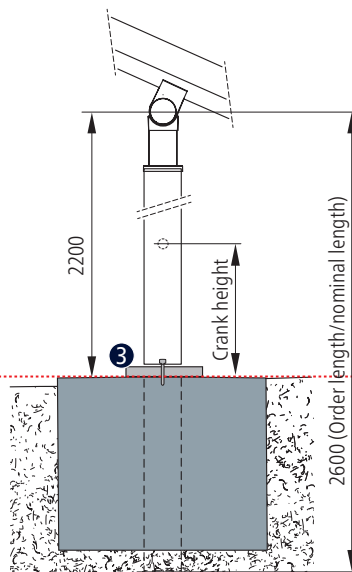
Bucket foundation ②

Posts are securely fitted into a strong non moving base. The concrete is pured and set at the end of the installation, which simplifies the alignment of the posts.



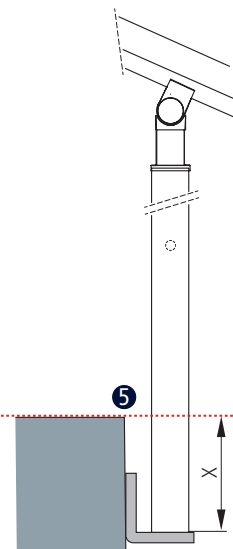
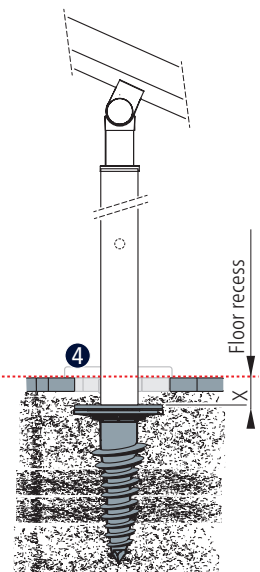
Deep-seated foundation ③

The easy and flexible screw attachment on a 700 (w) x 800 (h) x 700 (d) mm screw foundation is carried out like the standard fixation (item 1). The reference height for the crank position as well as for the post height is always TEFF.



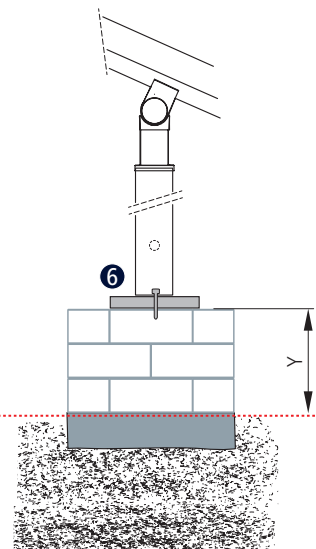
Screw foundation ④

When fixing the posts into soil/earth they are an alternative to conventional foundation fixing. The post length as mentioned on the mounting sheet is increased by the floor level (X).



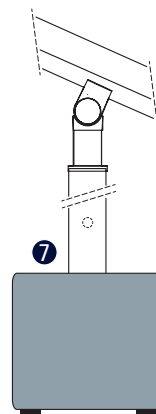
Mounting with angle bracket ⑤

Is suitable, for example, when mounting in front of a balcony or a terrace. The calculated post length is increased by the floor level (X).



Mounting on wall ⑥

When the post is mounted on a wall, the height of the post is reduced by the height of the wall (Y).



Weighted base for posts ⑦

If it is not possible to fix the post into the ground then the base option can be used. For example a public/pedestrian area, indoor installation, or on a balcony.

TEFF: Top edge of finished floor
X: Floor recess
Y: Height wall