



## Cassette awning

# I/K/N 2000

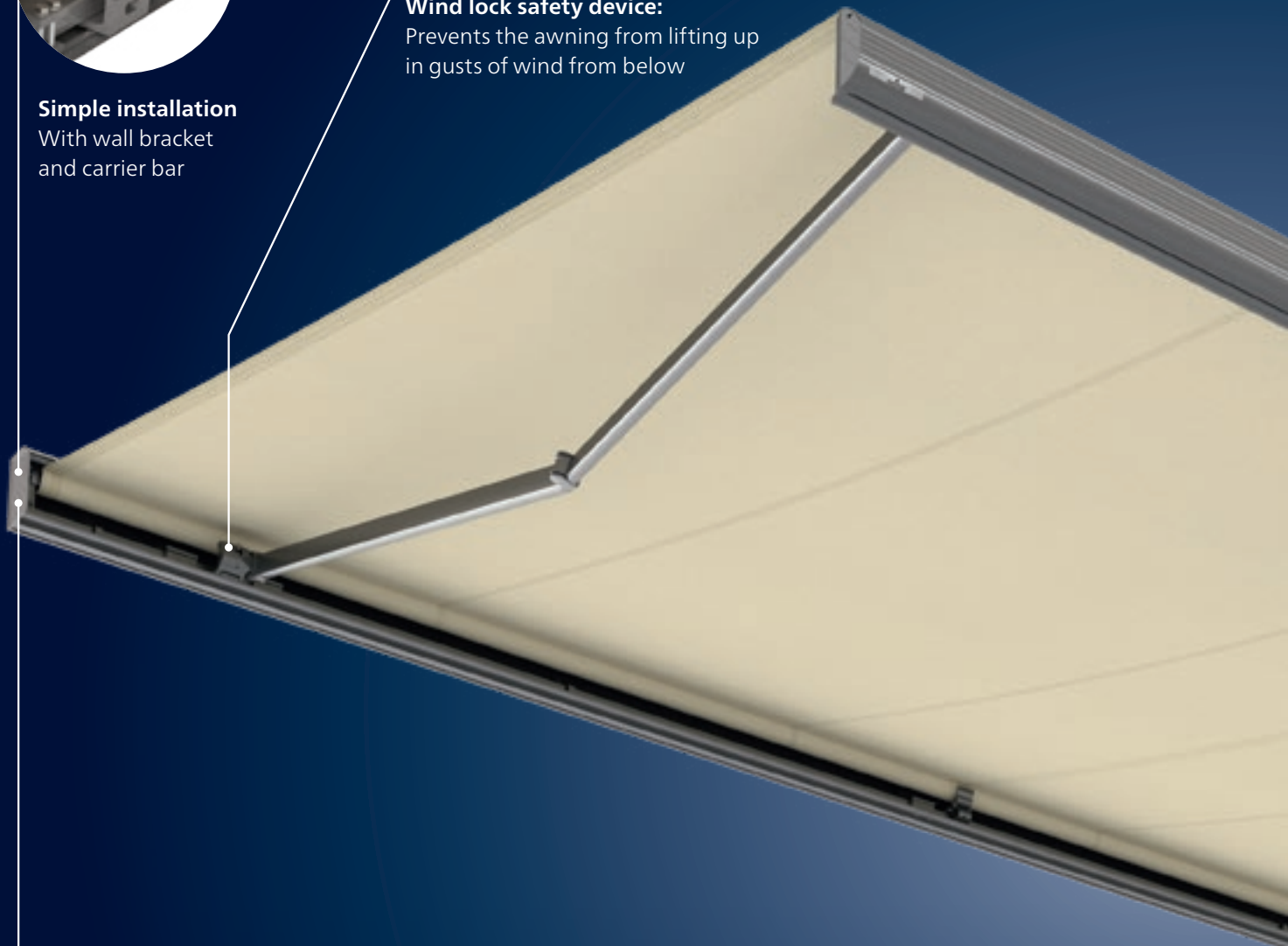
The **I/K2000** is the tried-and-tested, classic cassette awning – as an **I2000** without rear wall for level building facades, as the **K2000** with back plate for uneven bases. The sturdy weinor awning with its carrier bar can be used almost anywhere. As the decor on the front profile and the side caps suggest, the **I/K2000** tends towards a more traditional design. The optional LED light bar makes the awning part of any stylish evening. The **N2000** is literally a niche item: with its projection profile, the awning disappears almost completely into the facade – with simple, straight lines, it is designed to meet a specific need.



**Simple installation**  
With wall bracket  
and carrier bar



**Wind lock safety device:**  
Prevents the awning from lifting up  
in gusts of wind from below



**I 2000:**  
Without back plate



**K 2000:**  
With back plate



**N 2000:**  
For niche installations

# I/K/N 2000 Highlights

**Coupled/joined units:**  
With roller supports

or jockey cover



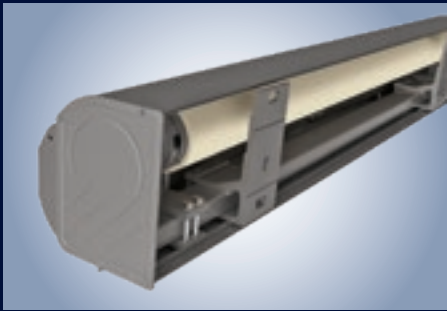
**Optional LED Design light bar:**  
Highly energy-efficient



**weinor LongLife arm:**  
Very durable and low-noise



# I/K/N 2000 Benefits



## **I 2000: open cassette – perfect for wall installation**

The I 2000 cassette awning is open on the side facing the wall.

- Extremely well suited to wall mounting, e.g. beneath roof overhangs
- Shapely front profile allows it to close precisely and provide perfect protection for fabric and fittings



## **K 2000: closed cassette – back plate for extra protection**

The K 2000 features an additional rear wall, completely closing it off.

- For every constructional situation
- Back plate profile makes it equally suitable for
  - wall installation
  - ceiling installation
  - rafter installation
  - installation on special brackets



## **weinor LongLife Arm – durable, quiet operation**

The weinor LongLife arm features an exceptionally robust high-tech belt.

- Tested to more than 100,000 cycles
- Extremely quiet operation
- No maintenance required
- Drop forged aluminium in joint – light but highly robust



### **N 2000: niche cassette – flush to facade installations**

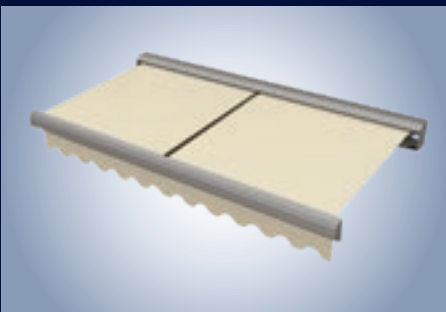
- The N 2000 is specially designed for niche installation.
- Embedded in the building facade
  - Edge of front profile fits flush with the building facade
  - Tilting mechanism ensures the front profile closes securely



### **Wind lock safety device – reliable protection**

The ultramodern technology prevents the awning from lifting up when wind gusts from below.

- Patented wind lock safety device
- Via a tilting mechanism, the front profile and awning arm are tilted when ascending
- Proven, maintenance-free technology
- All components made of forged and extruded aluminium



### **Multi-section units – to shade especially large areas**

The I/K 2000 also comes as a combined multi-section unit for very large terraces – coupled or in series.

- As a 2-part unit up to 1,200 cm
- Jockey cover or roller support with continuous fabric

# I/K/N 2000 Technology

I/K/N 2000 versions	I/K 2000	N 2000
<b>Technology</b>		
Max. width, 1-section/2-section with jockey cover or roller support	700 cm/1,200 cm	600 cm
Max. projection	400 cm	350 cm
Cassette size (w x h) incl. standard bracket	198/200 mm x 211 mm	210 mm x 197 mm
Coupled systems	○	—
Gear drive	○	○
Motor drive	● as standard	● as standard
Angle of pitch on awning	5° to 40°	5° to 40°
Installation alternatives	can be installed on walls, ceilings and rafters	
LongLife arm	● as standard	● as standard
<b>Accessories</b>		
Heating system Tempura/Tempura Quadra	○	○
LED Design light bar	○	○
BiSens Agido-3V product protection sensor	○	○
<b>Controls</b>		
Radio control	○	○
No remote	●	●
<b>Weather sensors</b>		
Sun/wind sensor	○	○
Sun/wind sensor solar powered	○	○
Sun/wind/rain sensor	○	○
<b>Quality</b>		
Tested up to	wind resistance class 1 according to DIN 13561 (wind strength 5 on the Beaufort scale)	

● standard ○ optional — unavailable

# I/K/N 2000 Controls

## weinor BiConnect radio controller

01

Product	Electronics	BiConnect control	Remote receiver	Transmitter
I/K/N 2000	I/K/N 2000 drive	<ul style="list-style-type: none"> <li>• BiRec receiver integrated into cassette</li> </ul>	BiRec MA-K	<ul style="list-style-type: none"> <li>• BiEasy 1M/5M/15M Go! hand transmitter</li> <li>• 1MW-3V wall transmitter</li> </ul>
I/K/N 2000 LED	I/K/N 2000 drive and LED lighting	<ul style="list-style-type: none"> <li>• BiRec combi-receiver for main drive and LED light bar (with integrated power supply pack) integrated into light bar</li> <li>• Dimmable LED</li> </ul>	BiRec MA-K and BiRec LED	<ul style="list-style-type: none"> <li>• BiEasy 5M/15M Go! hand transmitter</li> </ul>
Accessories (optional)	Tempura/Tempura Quadra heating system	<ul style="list-style-type: none"> <li>• Dimmable, additional receiver required</li> <li>• Installation of the receiver in the design bar provided for this purpose or the Tempura Quadra box</li> </ul>	BiRec HD	<ul style="list-style-type: none"> <li>• BiEasy 5M/15M Go! hand transmitter</li> </ul>

Requires: awning with BiConnect remote control and sensors require a BiEasy 1M, 5M or 15M Go!

## Somfy io-homecontrol® radio technology

Product	Electronics	Somfy io-homecontrol control	Remote receiver	Transmitter
I/K/N 2000	I/K/N 2000 drive	<ul style="list-style-type: none"> <li>• Somfy io remote-controlled motor integrated into cassette</li> </ul>	Somfy io remote-controlled motor	<ul style="list-style-type: none"> <li>• Situo 1 io Pure II/Situo 5 io Pure II/Situo 5 Variation A/M io Pure II hand transmitter</li> <li>• Smoove 1 io Pure Shine wall transmitter</li> </ul>
I/K/N 2000 LED	I/K/N 2000 drive and LED lighting	<ul style="list-style-type: none"> <li>• Somfy io remote-controlled motor integrated into cassette</li> <li>• Additional Somfy receiver for the LED light bar (with downstream power supply pack) integrated into light bar</li> <li>• LED dimmable</li> </ul>	Somfy io remote-controlled motor and io Lighting Receiver Variation (dimmable)	<ul style="list-style-type: none"> <li>• Situo 5 io Pure II/Situo 5 Variation A/M io Pure II hand transmitter</li> </ul>
Accessories (optional)	Tempura/Tempura Quadra heating system	<ul style="list-style-type: none"> <li>• Dimmable, additional receiver required</li> <li>• Installation of the receiver in the design bar provided for this purpose or the Tempura Quadra box</li> </ul>	Heating Receiver Variation io 1.5 kW STAS3/STAK3 (dimmable)	<ul style="list-style-type: none"> <li>• Situo 5 io Pure II/Situo 5 Variation io Pure II hand transmitter</li> <li>• Smoove 1 io Pure Shine wall transmitter</li> </ul>

## Somfy RTS radio technology

Product	Electronics	Somfy RTS control	Remote receiver	Transmitter
I/K/N 2000	I/K/N 2000 drive	<ul style="list-style-type: none"> <li>• Somfy RTS remote-controlled motor integrated into cassette</li> </ul>	Somfy RTS remote-controlled motor	<ul style="list-style-type: none"> <li>• Situo 1 RTS Pure II/Situo 1 Soliris RTS Pure II/Situo 5 RTS Pure II/Situo 5 Soliris RTS Pure II hand transmitter</li> <li>• Smoove 1 RTS Pure Shine wall transmitter</li> </ul>
I/K/N 2000 LED	I/K/N 2000 drive and LED lighting	<ul style="list-style-type: none"> <li>• Somfy RTS remote-controlled motor integrated into cassette</li> <li>• Additional Somfy receiver for the LED light bar (with downstream power supply pack) integrated into light bar</li> <li>• LED not dimmable</li> </ul>	Somfy RTS remote-controlled motor and Lighting Slim Receiver RTS	<ul style="list-style-type: none"> <li>• Situo 5 RTS Pure II/Situo 5 Soliris RTS Pure II hand transmitter</li> </ul>

## I/K/N 2000 Controls

### Hard wired with Somfy control

Product	Electronics	Hard wired Somfy control	Control
I/K/N 2000	I/K/N 2000 drive	<ul style="list-style-type: none"> <li>• Somfy control for awning drive</li> </ul>	e.g. Soliris Smooove Uno
I/K/N 2000 LED	I/K/N 2000 drive and LED lighting	<ul style="list-style-type: none"> <li>• Somfy control for awning drive</li> <li>• Switch on site for the LED light bar</li> <li>• LED power supply pack integrated into light bar</li> <li>• LED not dimmable</li> </ul>	e.g. Soliris Smooove Uno and suitable light switch (on site)
Accessories (optional)	Tempura/Tempura Quadra heating system	<ul style="list-style-type: none"> <li>• Not dimmable</li> </ul>	Suitable switch (on site)

### Hard wired (existing switch/power supply on site)

Product	Electronics	Hard wired control	Control
I/K/N 2000	I/K/N 2000 drive	<ul style="list-style-type: none"> <li>• Awning switch for the awning drive</li> </ul>	e.g. double rocker switch switch (on site)
I/K/N 2000 LED	I/K/N 2000 drive and LED lighting	<ul style="list-style-type: none"> <li>• Awning switch for the awning drive</li> <li>• Switch on site for the LED light bar</li> <li>• LED power supply pack integrated into light bar</li> <li>• LED not dimmable</li> </ul>	e.g. double rocker switch and suitable light switch (on site)
Accessories (optional)	Tempura/Tempura Quadra heating system	<ul style="list-style-type: none"> <li>• Not dimmable</li> </ul>	Suitable switch (on site)

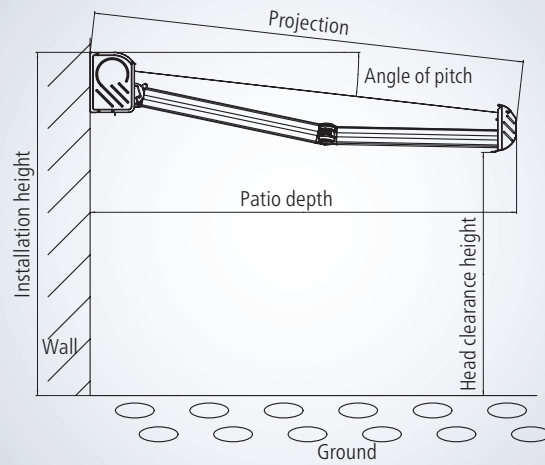
#### Note:

Please see the "Accessories" technical brochure for further details regarding the drive and control.

Some options are subject to a surcharge. For prices, please refer to the weinor awnings price list.



# I/K/N 2000 Planning



## Site measurements – determining the projection and head clearance height

- Find the projection by looking in the “Projection” table for the terrace depth.
- Using the projection from the table and the required angle of pitch, consult the “head clearance height” table for the head clearance height. This head clearance height refers to an installation height of 300 cm.
- Add/subtract the difference between 300 cm and the actual installation height to/from the head clearance height in the table.

### Determining the projection

Angle of pitch	Terrace depth in cm					
	150	200	250	300	350	400
5°	150	200	250	300	350	400
15°	160	210	260	310	360	–
25°	170	220	270	330	390	–

Projection in cm (rounded figures)

This table can be used to find the awning projection for any given horizontal patio depth.

### Determining the head clearance height

Angle of pitch	Projection in cm					
	150	200	250	300	350	400
5°	270	270	270	260	260	250
15°	250	240	220	210	200	180
25°	220	200	180	160	140	120

Head clearance height in cm (rounded figures)

This table is used to find the head clearance heights for various projections when the angle of pitch is 5°, 15° or 25°.

This table is based on the example of an installation height of 300 cm (upper edge of awning).

## Wall bracket

### Sizes and bracket recommendations

#### Wall mounting on pressure-resistant surface

Minimum number of required wall brackets so that the function of the awning is ensured, regardless of the mounting surface. Selection of the brackets using the weinor bracket overview and using the maximum extraction forces of the fixings used!



Width in cm	Number of arms	Diagonal in 10 cm steps					
		up to 150	160-200	210-250	260-300	310-350	360-400
up to 200	2	2					
201-250	2	2	2				
251-300	2	2	2	2			
301-350	2	2	2	2	2		
351-400	2	2	2	2	2	2+1	
401-450	2	3	3	3	3	2+1	2+1
451-500	2	3	3	3	3	5	2+1
501-550	2	3	3	3	5	5	5
551-600	2	3	3	3	5	5	5
601-650	2	3	3	3	5	5	5
651-700	3	4	4	4	7	7	7

#### Overlapping possible, observe size limits!

Observe size limits; unit must have X more width than projection:

- in the case of 1 x wall bracket 85 mm or 1 x wall bracket 260 mm per arm:  
X = 40 cm
- in the case of 2 x wall bracket 85 mm or 1 x wall bracket 295 mm per arm:  
X = 62 cm
- in the case of 2 x wall bracket 260 per arm: X = 95 cm

- 2 2x wall bracket 85 mm
- 3 3x wall bracket 85 mm (1 x as a central bracket)
- 4 4x wall bracket 85 mm alternatively:  
2x wall bracket 295 mm
- 5 5x wall bracket 85 mm (1 x as a central bracket) alternatively:  
2x wall bracket 295 mm + 1x wall bracket 85 mm (as a central bracket)
- 2+1 2x wall bracket 260 mm + 1x wall bracket 85 mm (1 x as a central bracket)
- 7 7x wall bracket 85 mm (1 x as a central bracket)

#### Two brackets per arm required:

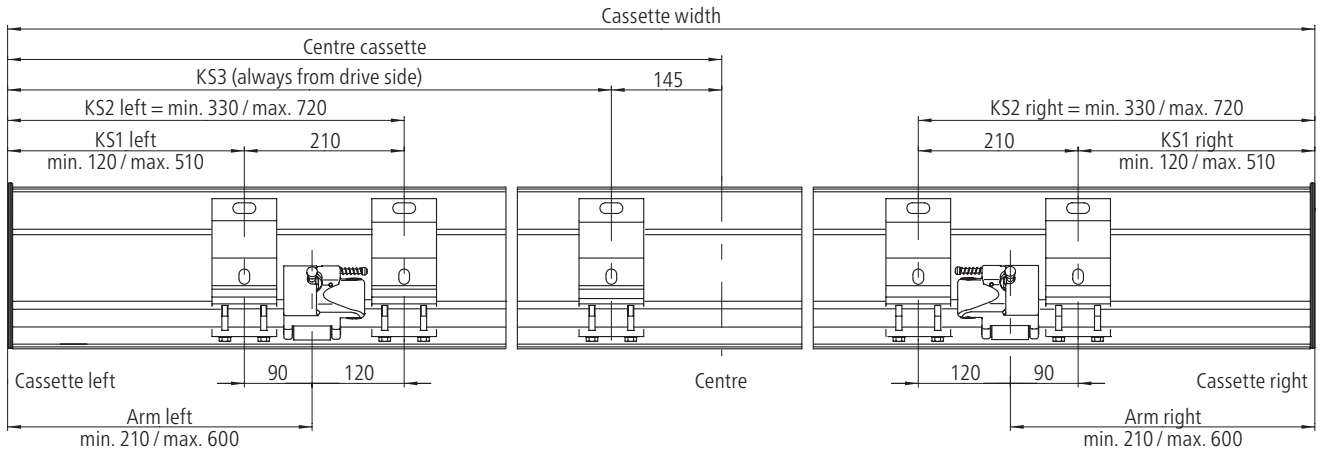
- a. projection  $\geq$  310 cm
- b. width  $\geq$  501 cm and projection  $\geq$  260 cm

#### Use of central bracket dependent on width/projection:

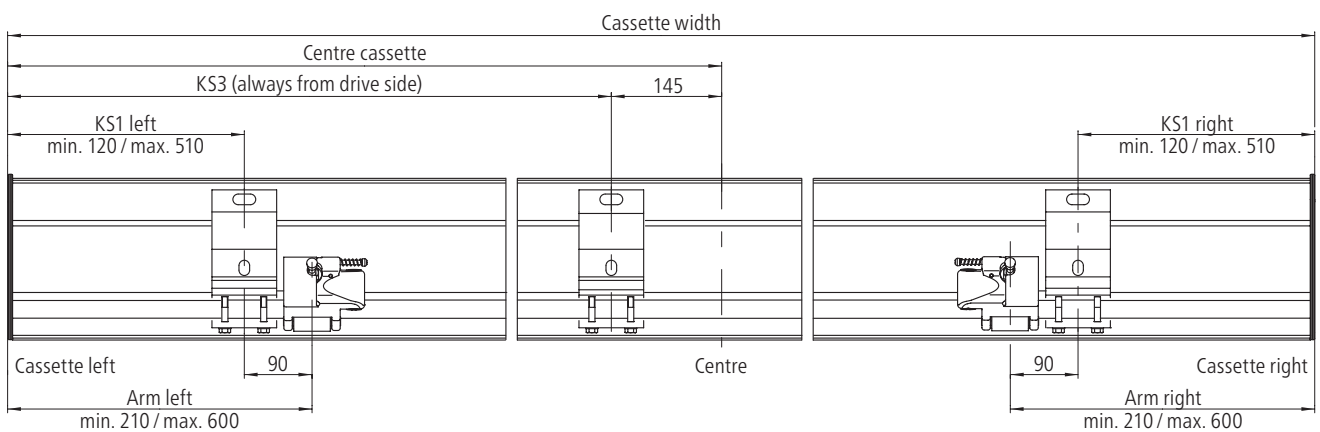
- a. width  $\geq$  401 cm
- b. projection  $\geq$  310 cm

Position of wall brackets and cassette I/K 2000

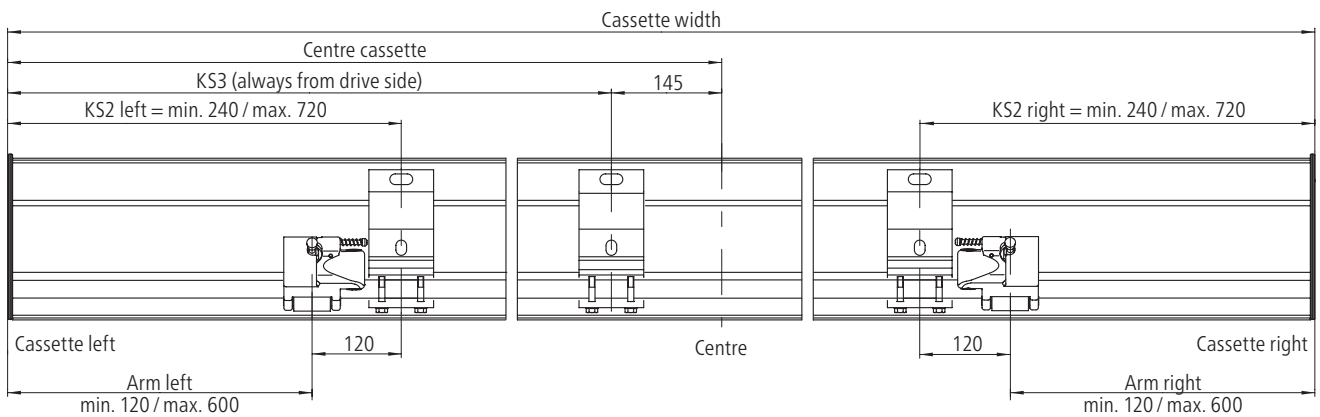
Wall bracket 85 mm on both sides (KS1 and KS2)



Wall bracket 85 mm outside (KS1)



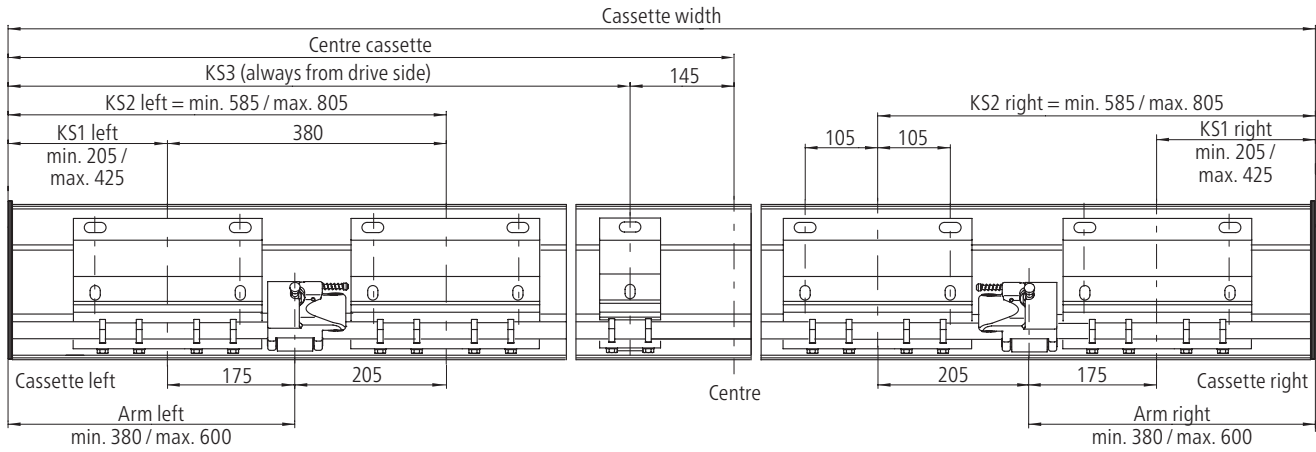
Wall bracket 85 mm inside (KS2)



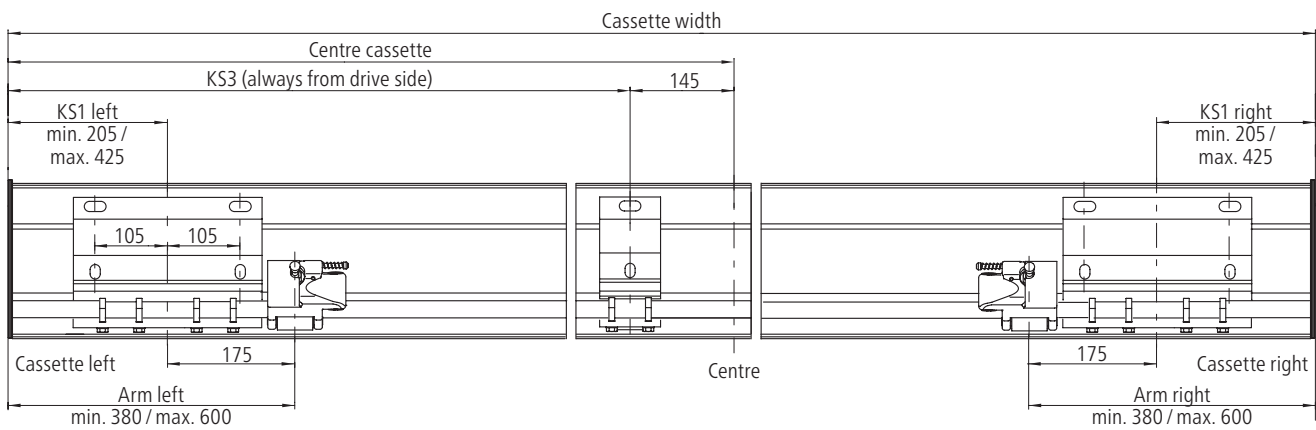
Notes:  
 KS1 = outside bracket  
 KS2 = inside bracket  
 KS3 = centre bracket

## Position of wall brackets and cassette I/K 2000

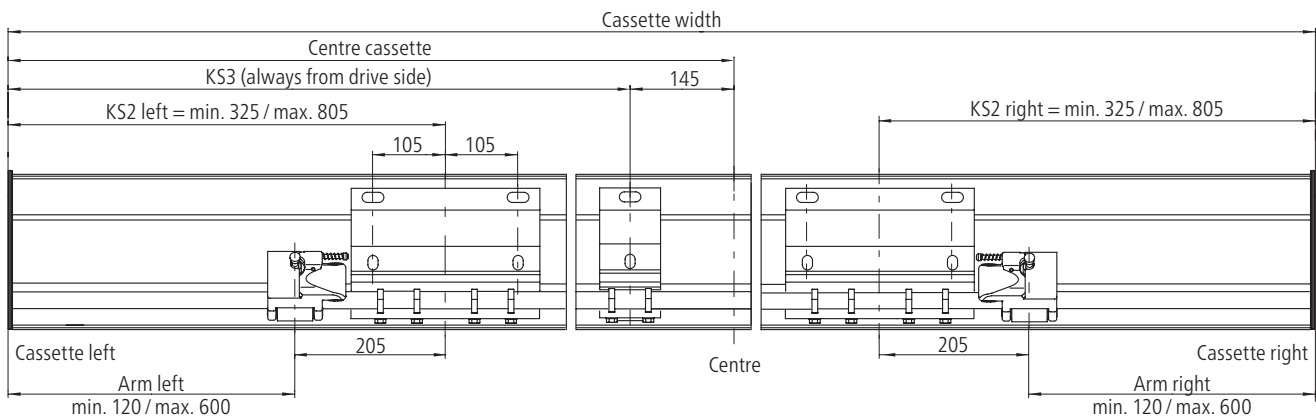
### Wall bracket 260 mm on both sides (KS1 and KS2)



### Wall bracket 260 mm outside (KS1)



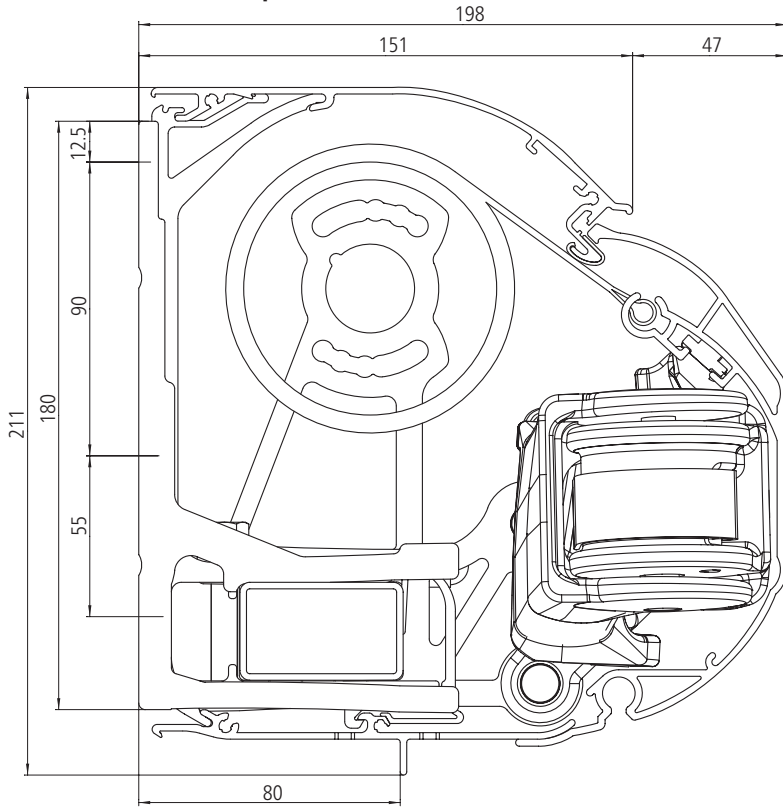
### Wall bracket 260 mm inside (KS2)



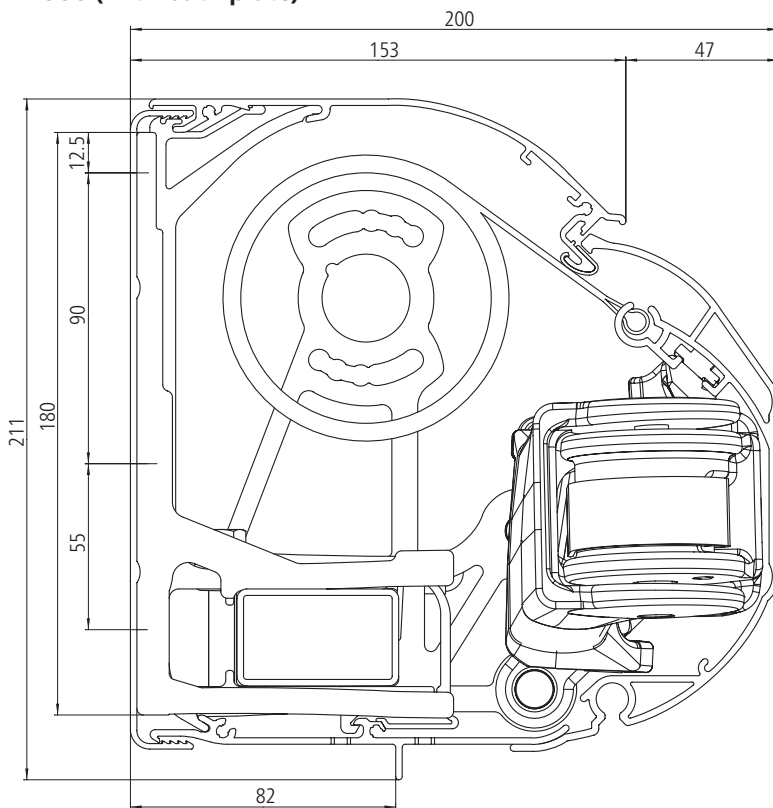
- Notes:  
 KS1 = outside bracket  
 KS2 = inside bracket  
 KS3 = centre bracket

Cross-sections

I2000 (without back plate)

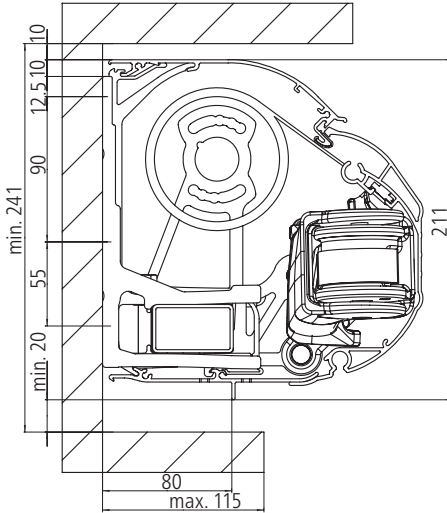


K2000 (with back plate)

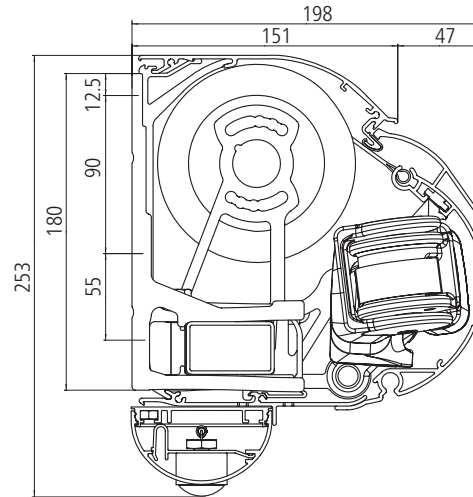


**Cross-sections**

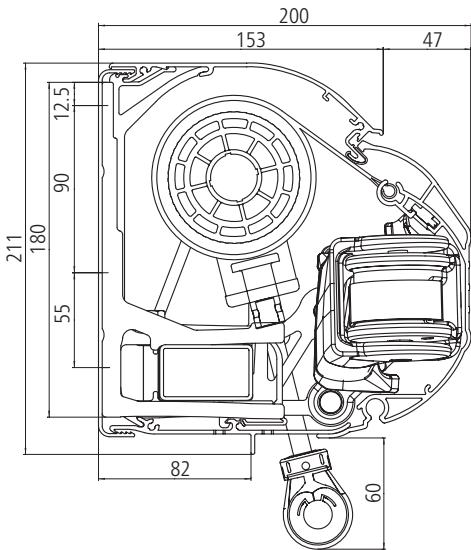
**I2000 (without back plate) niche installation**



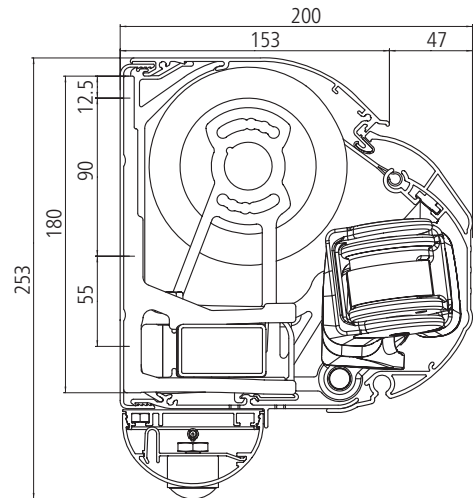
**I2000 (without back plate) with LED Design light bar**



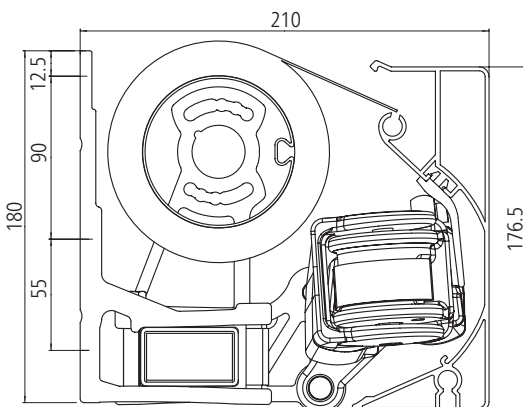
**K2000 with gear box (with back plate)**



**I2000 (with back plate) with LED Design light bar**



**N2000**

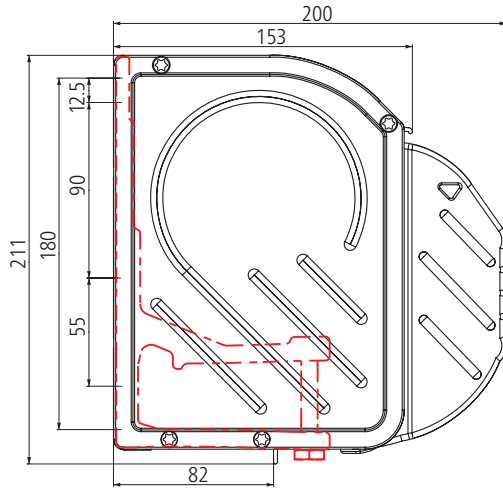


# I/K/N 2000 Installation

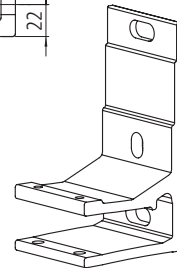
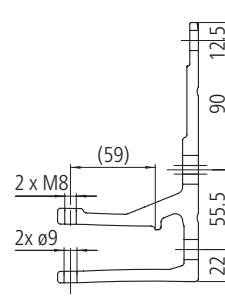
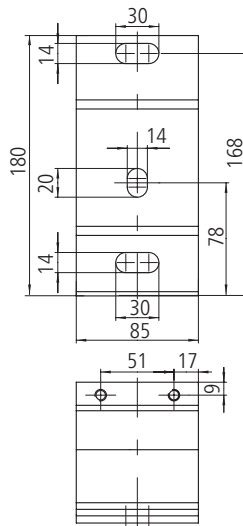
## Wall mounting – brackets



Wall bracket



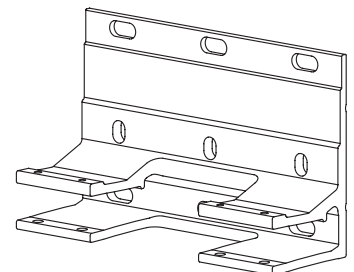
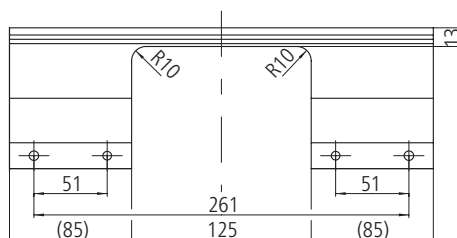
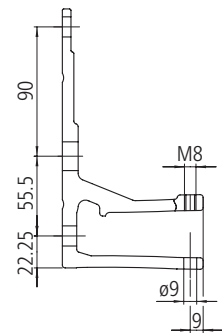
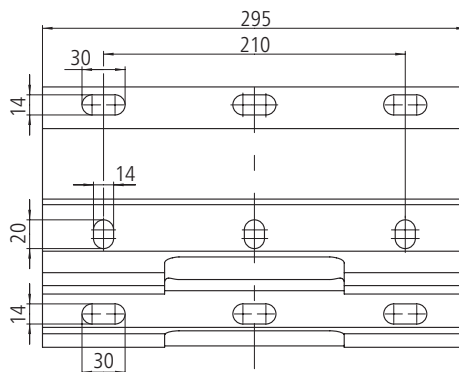
Wall bracket 85 mm



Wall bracket 85 mm (Niche installation)



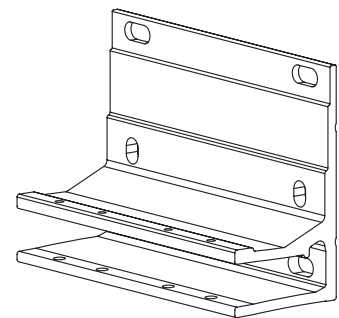
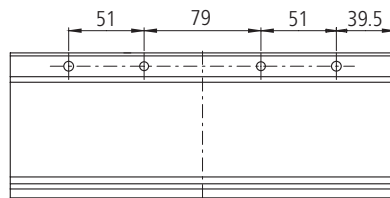
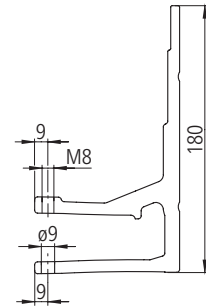
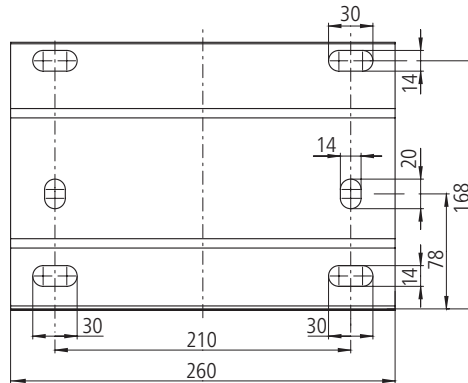
Wall bracket 295 mm (arm enclosure)



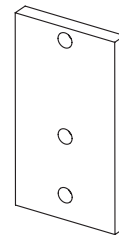
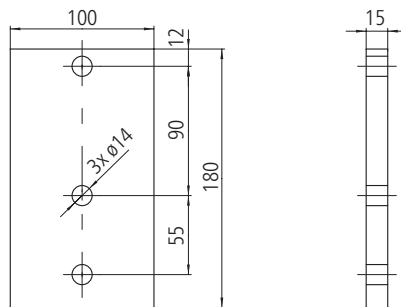
Wall mounting – brackets



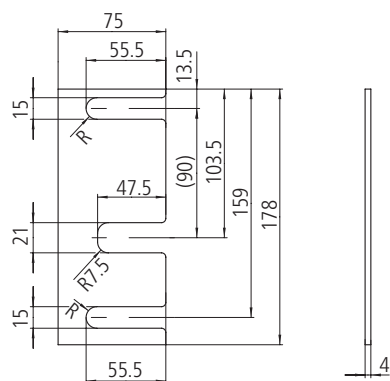
Wall bracket 260 mm



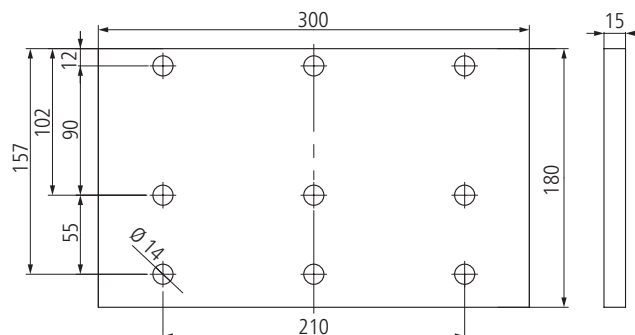
Baseplate (100 x 180 x 15 mm)



Baseplate (75 x 178 x 4 mm)



Baseplate (300 x 180 x 15 mm)

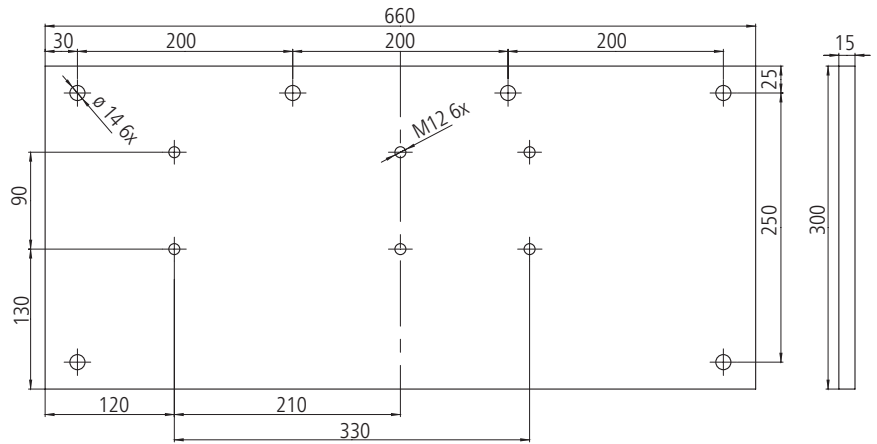
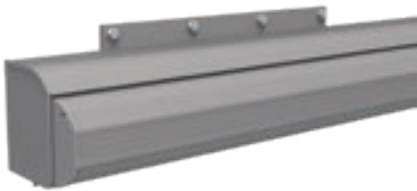




Wall mounting – mounting plates



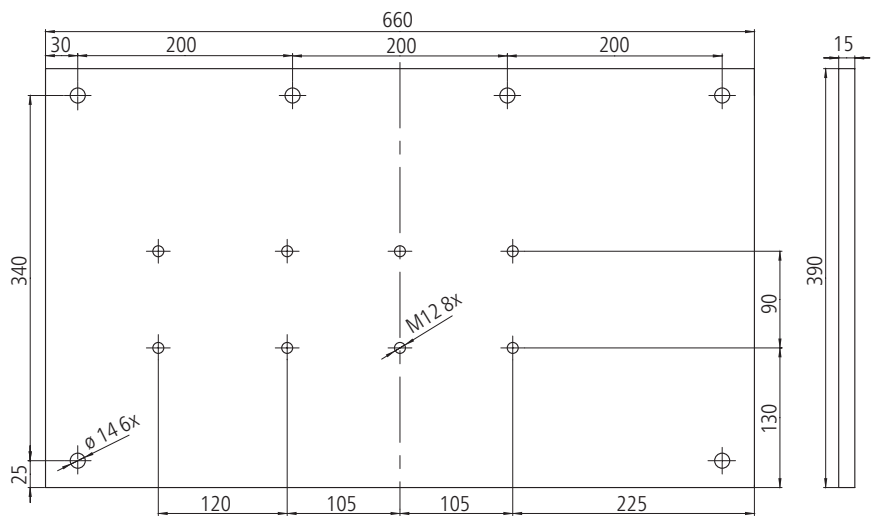
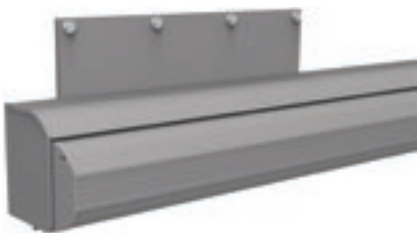
Mounting plate 660 x 300 x 15 mm\*



Position of the mounting plates using the I/K 2000 500 x 300 cm\*\* as an example.



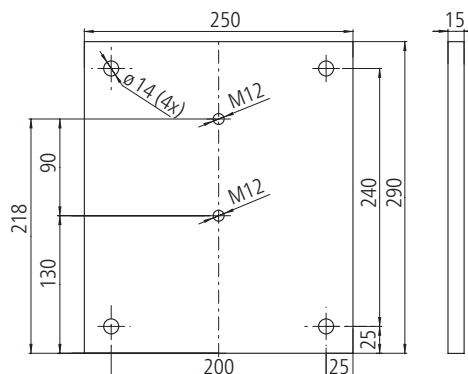
Mounting plate 660 x 390 x 15 mm\*



Position of the mounting plates using the I/K 2000 500 x 300 cm\*\* as an example.



Mounting plate 250 x 290 x 15 mm



\* Mounting plate also possible with 2 wall brackets 85 mm.

\*\* Depending on the width of the awning, the positioning of the mounting plates may vary.

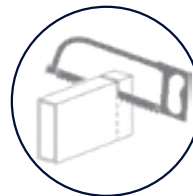
**Installation with stand off bracket (special bracket)**



I/K 2000 with stand off bracket, e.g. to overcome a soil pipe

80 to 300 mm gaps can be bridged using the stand off bracket.

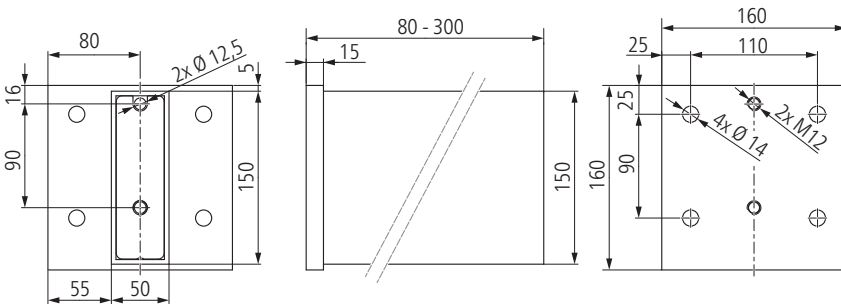
The stand off bracket can be cut to size on site if required. But for a more durable quality and better appearance weinor recommends ordering the bracket to the required dimensions, as it will be fully powder coated leaving no raw edges.



Stand off bracket for wall bracket 85 mm



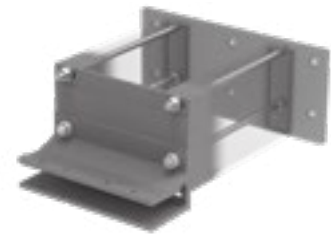
Stand off bracket with wall bracket 85 mm



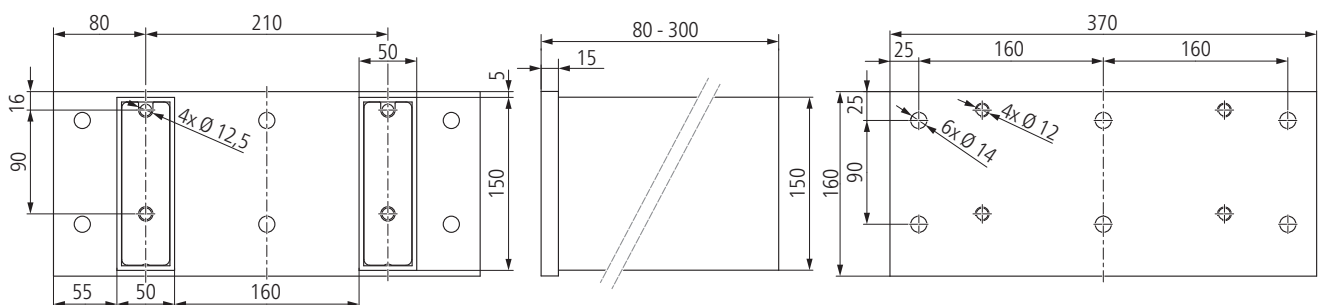
Stand off bracket for two wall brackets 85 mm or one wall bracket 260 mm



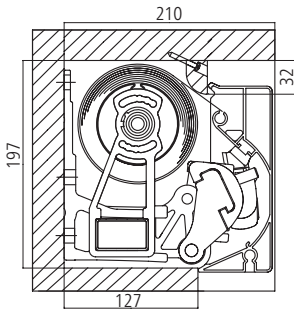
Stand off bracket with two wall brackets 85 mm



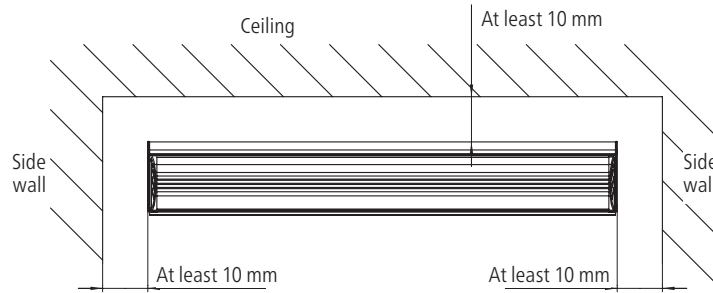
Stand off bracket with wall bracket 260 mm



Minimum spacing distances for installation



Type N niche installation

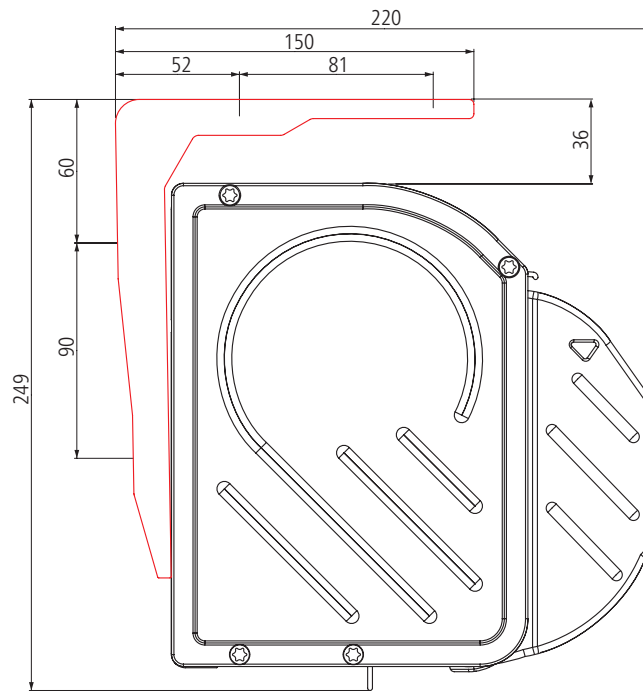


Type I und Type K with niche installation

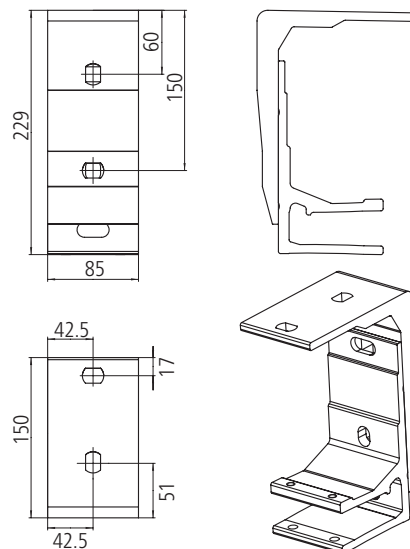
Ceiling mounting



Ceiling bracket



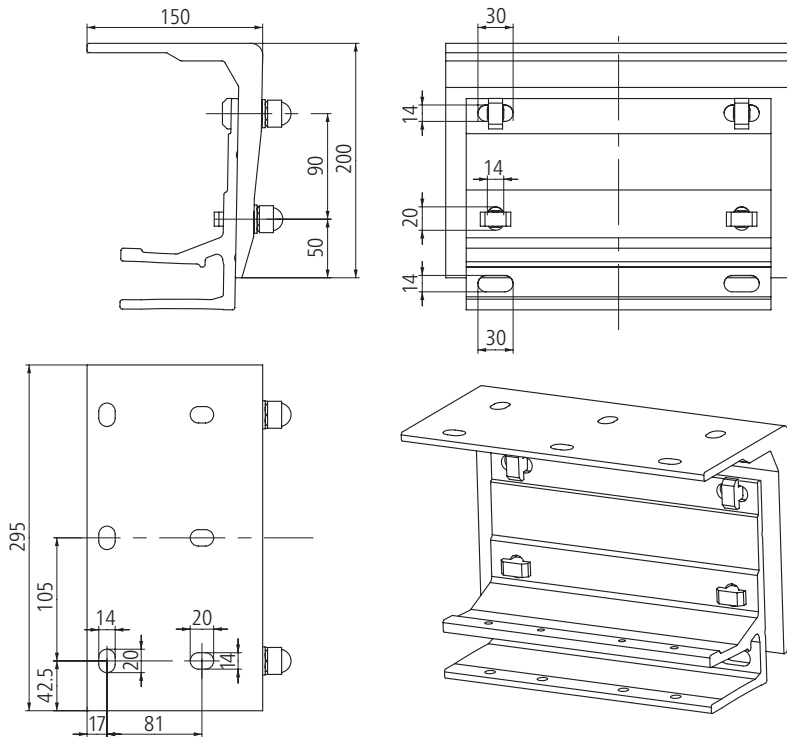
Ceiling bracket



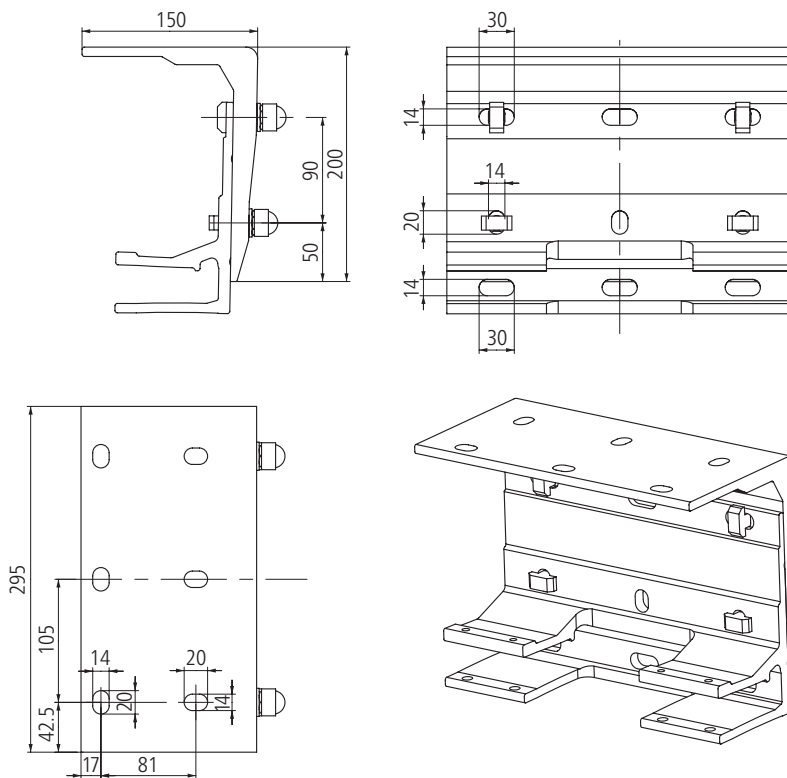
Ceiling mounting



Ceiling bracket 295 mm with wall bracket 260 mm



Ceiling bracket 295 mm with wall bracket 295 mm  
(Cannot be used with three-arm constructions!)





## Extraction forces

The extraction force is the force with which the awning weight and the wind load pull on each upper and/or front fixing. The tables indicate this force in N per upper fixing. It varies depending on the awning size and the wall bracket / mounting plate used.

### Selecting the wall bracket and anchoring system:

1. Consult relevant table for extraction force per fixing for selected awning size.
2. Select a wall bracket / mounting plate for which there is fixing material which can resist the indicated extraction force. Remember to take into account the spacing, the area which will be damaged if the fixing breaks out, the type of fixing material used and the mounting base.

Use the separate bracket overview for an exact planning of the awning attachment.

### Extraction force in N per upper fixing for wall mounting

Brackets **without** mounting plates

**Wall mounting** with up to 200 mm facing (non-pressure-resistant surface)

Please observe the width to projection dimension limits for number of brackets per arm, as the width to projection ratio decreases when two brackets are used per arm.

For the variant "Type N 2000", the extraction forces increase by approximately 20%!

- 1 x wall bracket 85 mm per arm  
or
- 2 x wall bracket 85 mm per arm  
Number of fixings: 4 or 8
- 1 x wall bracket 260 mm per arm  
or
- 2 x wall bracket 260 mm per arm  
Number of fixings: 8 or 16
- 1 x wall bracket 295 mm per arm  
Number of fixings: 12

#### Please note:

**from a width of 401 cm or a projection of 310 cm additional**

1 x wall bracket 85 mm as centre bracket is required.

This means an additional 2 fixings will be required always.

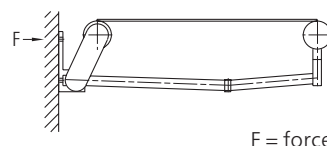
Taking the width to projection dimension limits into account, two brackets can also be used per arm instead of one bracket per arm.

**Here, the indicated extraction force halves!**

**Does not apply to red-bordered cells and 295 mm wall bracket!**

In the event of installation on a pressure-resistant surface, the indicated extraction force decreases (see bracket overview)

Width in cm	Projection in cm					
	150	200	250	300	350	400
200	1330					
	665					
	443					
250	1567	2338				
	783	1169				
	522	779				
300	1804	2693	3789			
	902	1347	1894			
	601	898	1263			
350	2041	3048	4283	5807		
	1020	1524	2141	2903		
	680	1016	1428	1936		
400	2278	3403	4777	6462	4116	
	1139	1701	2388	3231	2058	
	759	1134	1592	2154	2744	
450	2514	3757	5271	7117	4535	6472
	1257	1879	2636	3558	2268	3236
	838	1252	1757	2372	3023	4315
500	2751	4112	5765	7772	5595	7078
	1376	2056	2883	3886	2798	3539
	917	1371	1922	2591	3730	4719
550	2988	4467	6259	8423	6080	7684
	1494	2233	3130	4210	3040	3842
	996	1489	2086	2809	4053	5123
600	3225	4822	6753	9119	6565	8290
	1613	2411	3377	4559	3282	4145
	1075	1607	2251	3041	4376	5526
650	3462	5176	7247	9845	7050	8896
	1731	2588	3624	4923	3525	4448
	1154	1725	2416	3266	4700	5930
700	2597	3885	5303	7132	5299	6710
	1298	1942	2651	3566	2649	3355



F = force

Extraction forces

Extraction force in N per upper fixing for wall mounting

Brackets **with** mounting plates

**Wall mounting** with up to 200 mm facing (non-pressure-resistant surface)

Please observe the width to projection dimension limits for number of brackets per arm, as the width to projection ratio decreases when two brackets are used per arm.

For the variant "Type N 2000", the extraction forces increase by approximately 20%!

- 1 x mounting plate 250 x 290 x 15 mm incl. 1 x wall bracket 85 mm per arm  
Number of fixings: 8
- 1 x mounting plate 450 x 200 x 30 mm incl. 1 x wall bracket 85 mm per arm  
or
- 1 x mounting plate 450 x 200 x 30 mm incl. 2x wall bracket 85 mm per arm  
Number of fixings: 12
- 1 x mounting plate 640 x 200 x 30 mm incl. 1 x wall bracket 85 mm per arm  
or
- 1 x mounting plate 640 x 200 x 30 mm incl. 2x wall bracket 85 mm per arm  
Number of fixings: 24
- 1 x mounting plate 660 x 300 x 15 mm incl. 1 x wall bracket 85 mm per arm  
or
- 1 x mounting plate 660 x 300 x 15 mm incl. 2x wall bracket 85 mm per arm  
Number of fixings: 12
- 1 x mounting plate 660 x 390 x 15 mm incl. 1 x wall bracket 85 mm per arm  
or
- 1 x mounting plate 660 x 390 x 15 mm incl. 2x wall bracket 85 mm per arm  
Number of fixings: 12

**Please note:**  
from a width of 401 cm or a projection of 310 cm additional

– for mounting plates with a thickness of 15 mm

- 1 x wall bracket 85 mm incl.
- 1 x shim plate 100 x 180 x 15 mm as central bracket required.

– for mounting plates with a thickness of 30 mm

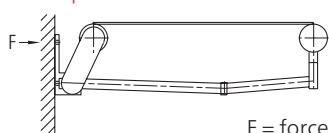
- 1 x wall bracket 85 mm incl.
- 2x shim plate 100 x 180 x 15 mm as central bracket required.

This means an additional 2 fixings will be required always.

Taking the width to projection dimension limits into account, two brackets can also be used per arm instead of one bracket per arm.

**This has no impact on the extraction force! Does not apply to 250 x 290 x 15 mm mounting plate!**

In the case of red-bordered cells, the bracket sub-assemblies are equipped with two brackets per arm.



F = force

Width in cm	Projection in cm					
	150	200	250	300	350	400
200	126					
	273					
	136					
	121					
	89					
250	149	221				
	321	477				
	161	239				
	143	213				
	105	156				
300	171	255	358			
	370	550	771			
	185	275	385			
	164	245	344			
	121	180	253			
350	194	289	405	549		
	418	622	871	1179		
	209	311	436	589		
	186	277	389	527		
	137	204	286	387		
400	216	322	452	610		
	467	694	972	1312	1669	
	233	347	486	656	834	
	208	309	434	586	746	
	153	227	319	431	548	
450	239	356	498	672		
	515	767	1072	1445	1838	2620
	258	383	536	722	919	1310
	229	342	478	645	822	1172
	168	251	352	475	604	862
500	261	389	545	734		
	564	839	1173	1578	2268	2865
	282	420	586	789	1134	1433
	251	374	523	705	1014	1282
	184	275	385	518	746	942
550	284	423	592			
	612	911	1273	1711	2465	3111
	306	456	637	855	1232	1555
	272	406	568	764	1102	1391
	200	299	418	562	810	1023
600	306	457	639			
	661	984	1374	2079	2661	3356
	331	492	687	1039	1331	1678
	294	438	613	928	1190	1501
	216	322	451	683	875	1104
650	329	490	685			
	710	1056	1474	2232	2858	3601
	355	528	737	1116	1429	1801
	315	471	658	997	1277	1611
	232	346	484	733	939	1184
700	246	368	576			
	532	793	1240			
	266	396	620			
	237	353	553	750	960	1215
	174	260	407	551	706	894

In the event of installation on a pressure-resistant surface, the indicated extraction force decreases (see bracket overview)

## Extraction forces

### Extraction force in N per front fixing for ceiling mounting

Please observe the width to projection dimension limits for number of brackets per arm, as the width to projection ratio decreases when two brackets are used per arm.

For the variant "Type N 2000", the extraction forces increase by approximately 20%!

- 1 x ceiling bracket 85 mm incl.  
1 x bracket 85 mm per arm  
or
- 2 x ceiling bracket 85 mm incl.  
2 x bracket 85 mm per arm  
Number of fixings:  
4 or 8
- 1 x ceiling bracket 295 mm incl.  
1 x bracket 260 mm per arm  
or
- 2 x ceiling bracket 295 mm incl.  
2 x bracket 260 mm per arm  
Number of fixings:  
12 or 24
- 1 x ceiling bracket 295 mm incl.  
1 x bracket 295 mm per arm  
Number of fixings: 12

**Please note:**  
from a width of 401 cm or a projection of 310 cm additional

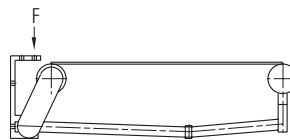
1 x ceiling bracket 85 mm incl.  
1 x wall bracket 85 mm  
as central bracket required.  
This means an additional 2 fixings will be required always.

Taking the width to projection dimension limits into account, two brackets can also be used per arm instead of one bracket per arm.

**Here, the indicated extraction force halves!**

**Does not apply to red-bordered cells and combination of wall bracket 295 mm with ceiling bracket 295 mm!**

Width in cm	Projection in cm					
	150	200	250	300	350	400
200	1000					
	341					
	340					
250	1173	1719				
	398	580				
	397	579				
300	1345	1975	2754			
	455	665	925			
	455	665	924			
350	1518	2230	3108	4196		
	513	750	1043	1406		
	513	750	1043	1405		
400	1691	2486	3462	4664	2951	
	571	836	1161	1562	995	
	570	835	1161	1561	1975	
450	1802	2679	3752	5065	3249	4621
	619	912	1270	1708	1094	1552
	619	911	1269	1708	2173	3088
500	1970	2930	4101	5529	3990	5051
	676	996	1387	1864	1342	1696
	676	996	1387	1863	2668	3376
550	2144	3186	4456	3020	4337	5485
	736	1083	1507	1019	1458	1841
	735	1083	1507	2021	2900	3665
600	2312	3437	4806	3648	4681	5915
	792	1168	1625	1229	1573	1984
	792	1167	1624	2441	3129	3952
650	2479	3687	5155	3915	5024	6345
	849	1252	1742	1318	1688	2128
	849	1252	1742	2619	3359	4239
700	1874	2782	4328	2951	3784	4795
	641	944	1459	994	1272	1609



F = force



## Shear forces

### Shear forces in N per fixing for rafter mounting

Please observe the width to projection dimension limits for number of brackets per arm, as the width to projection ratio decreases when two brackets are used per arm.

For the variant "Type N 2000", the shear forces increase by approximately 20%!

Rafter brackets are available as both left and right handed

- 1x rafter bracket incl.  
1x wall bracket 85 mm per arm  
or
- 2x rafter bracket incl.  
2x wall bracket 85 mm per arm  
**Applies to two brackets per arm on a rafter.**  
or
- 2x rafter bracket incl.  
2x wall bracket 85 mm per arm  
**Applies to two brackets per arm, each with separate rafters.**
  
- 1x rafter bracket with  
1x mounting plate for rafter incl.  
1x wall bracket 85 mm per arm  
or
- 2x rafter bracket with  
2x mounting plate for rafter incl.  
2x wall bracket 85 mm per arm  
**Applies to two brackets per arm on a rafter.**  
or
- 2x rafter bracket with  
2x mounting plate for rafter incl.  
2x wall bracket 85 mm per arm  
**Applies to two brackets per arm, each with separate rafters.**

**Please note:**  
from a width of 401 cm or a projection of 310 cm additional  
1x rafter bracket incl.  
1x wall bracket 85 mm  
as central bracket required.

Taking the width to projection dimension limits into account, two brackets can also be used per arm instead of one bracket per arm.

**Here, the indicated extraction force halves!**

**Applies only in the case of two brackets per arm on separate rafters respectively! If two brackets per arm are mounted on one rafter, the shear force does not decrease!**

**weinor recommends the use of rafter brackets with mounting plate!**  
In the case of rafter mounting, the fixings are included in the order.

Width in cm	Projection in cm					
	150	200	250	300	350	400
200	1395					
	639					
250	1637	2386				
	746	1051				
300	1879	2742	3805			
	853	1204	1638			
350	2122	3098	4295	5774		
	960	1357	1845	2448		
400	2364	3454	4786	6420	8018	
					4009	
	1066	1510	2052	2719	3298	
450					1649	
	2545	3747	5211	6998	8831	12572
					4415	6286
500					3631	5146
					1815	2573
	2782	4098	5697	7639	10880	13747
550					5440	6873
					4463	5624
	1214	1748	2397	3186	2231	2812
600					8221	11823
					4110	5911
	3025	4455	6188		3392	4850
650					1696	2425
					9969	12764
	3262	4806	6674		4984	6382
700					4103	5234
					2051	2617
	1423	2049	2808		10701	13704
750					5350	6852
					4402	5618
	3500	5157	7160		2201	2809
800					8055	10310
					4027	5155
	2641	3887	6020		3320	4233
850					1660	2116
	1161	1667	2533			2669

