



Patio roof

Terrazza Originale

Terrazza Originale Plus

06

High-quality: The weinor **Terrazza Originale** and **Terrazza Originale Plus** patio roofs convince with their elegant construction, shapely design and high resilience. The modular system can be expanded by vertical glass elements to create the transparent Glasoase®. Other features include sun protection, light and heating. The numerous versions make it suitable for the most diverse types of building and requirements.



160 guttering



220 guttering

Highest quality profile: all weinor profiles are always cut to size before powder coating. This ensures optimum corrosion resistance.

Choose between
2 posts:



90 post



115 post



115 post for
220 guttering



Rigid roof covering:
Made from 10 mm or 12 mm safety glass – optional possible with 16 mm plastic multi-wall sheets



Terrazza Originale/Plus Highlights



Elegant design:
A seamless look

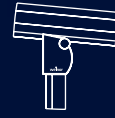


Rigid aluminium construction:
Tested safety all round

Two roof types:
Many versions



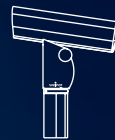
Terrazza Originale



Terrazza Originale Plus



Terrazza Originale the 220 guttering



Terrazza Originale Plus the 220 guttering



Straightforward, functional design:

Posts with integrated, easily accessible water drainage

Expandable system:

Can be retrofitted afterwards with

- Patio lighting
- Tempura
- Sun protection systems
- BiConnect remote control
- Air-conditioning system



Can be expanded by vertical glass elements into the weinor Glasoase®, the transparent weather protection. We recommend the 115 post for perfect installation.



Terrazza originale/Plus Benefits



Elegant design – a seamless look

The weinor Terrazza patio roof captivates through its harmonious design. The elegant yet rigid construction is thought out down to the finest detail:

- No mounting grooves
- No silicone
- Almost no visible screws



Rigid aluminium construction – tested security all-round

The resilient construction is based on structural computations by a certified engineering consultancy.

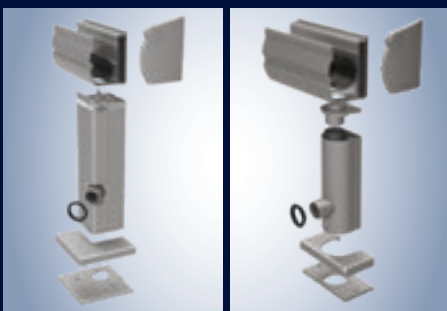
- No thermal separation
- Highest quality aluminium extrusion – thick profile walls
- Corrosion-proof thanks to aluminium profiles and stainless steel screws
- Snow load of up to 550 kg/m²
- Roof depths of up to 6,000 mm



Rigid roof covering – resilient and shatter-proof

The weinor Terrazza is rated for high-quality laminated safety glass (LSG):

- Glass specification either 10 or 12 mm LSG
- Highly resilient, structurally tested
- Accessible to personnel for maintenance work from a thickness of 10 mm
- 16 mm polycarbonate available as an option (rain noise!)



115 post

90 post

Invisibly integrated pipe

Rainwater is systematically drained away by the downpipe discretely integrated into the post. Upon request, the drain can also be fed through a post plate. The optional greenery filter prevents the ingress of leaves and the like into the rain gutter. The Terrazza posts are available selectively as 115 posts (square) or 90 posts (round) to match the style of architecture and home.



DR 160

DR 220

Better statics – larger widths

The guttering is considerably more durable thanks to the new extra headroom of 220 mm compared to 160 mm. Depending on the depth and snow load, up to 20% wider spans can be managed between the posts without reinforcing the guttering with steel. As a result, larger widths are possible without any middle posts. The glazing elements can be fitted behind gutter 220 on request. This way the maximum head clearance height can be achieved.

Terrazza Originale/Plus Benefits – expandable system



Wall mounting

Roof assembly

LED/Design strip light– use of patio into the evening (option)

Strip lights enable the patio roof to be used for longer periods.

- Atmospheric light thanks to special glass lenses
- Highly energy-efficient
- Operating life of 30,000 hours
- Dimmable when used with BiConnect radio control or Somfy io-homecontrol®
- Easy to service: simple replacement of individual LED lights
- Housing in the patio roof colour
- Including connection lead and lead rail
- Easy to retrofit
- Individual length up to 6,500 mm



High-performance Tempura heating system (optional)

Tempura and Tempura Quadra, the energy-efficient infrared heating systems, impress with a heat output of 1,500 watt in a tiny housing.

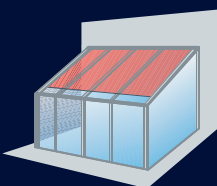
- Instant heat: no warm-up time
- Turn as required for targeted warmth
- Dimmable when used with BiConnect or Somfy io-homecontrol® radio control
- Splash protection
- Comes in 47 standard frame colours plus 9 scratch-proof, resistant trend colours with a smart, textured look
- Optional: 150 special RAL colours
- Universal bracket makes it easy to retrofit
- TÜV tested



Sun protection – glare, privacy and heat protection

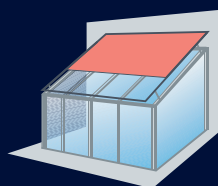
Sun protection systems from weinor satisfy a host of requirements: they prevent unpleasant dazzle effects and the fading of furniture and carpets. They ensure sideways visual and dazzle protection. And they prevent overheat effects with closed vertical elements.

- Perfectly matched to the Terrazza patio roof
- Can be retrofitted afterwards
- Choice of 150 fabric designs



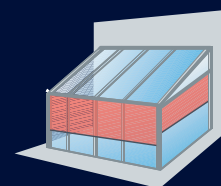
Under roof awning

The Sottezza Originale under roof conservatory awning protects against dazzle and UV rays. Perfectly matched to the Terrazza, it is ideally suited for well-ventilated rooms.



The over roof awning

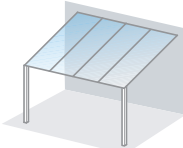
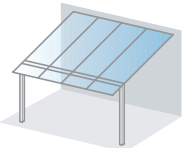
A roof-mounted conservatory awning from the WGM range is the ideal solution for side elements that are closed for the most part. It reduces the greenhouse effect.



Front/side sun protection

The weinor VertiTex vertical sun protection system offers reliable privacy, glare and sun protection. Fitted with a fabric from the screens by weinor® collection, it improves air circulation.

Terrazza originale/Plus Technology

Terrazza roof system versions	Terrazza Originale	Terrazza Originale Plus
	 Pent roof with integrated rain gutter	 Pent roof with integrated rain gutter and roof overhang
Technology		
Max. roof width	all widths possible, depending on number of posts	
Max. roof depth (roof support S/L)	3,000 mm/6,000 mm	3,500 mm/6,000 mm
Roof pitch in Quick & Easy (3°* to 15°) Caution: < 5° the roof's impermeability is at risk	●	●
Roof pitch (5° to 15°)	●	●
Roof pitch (> 15° to 45°)	○	—
Guttering drainage	○ covered or outside	○ covered or outside
Snow load 750 N/m ²	●	●
Snow loads up to 5,500 N/m ²	○	○
Accessories		
Underlay sun protection	○	○
Overlay sun protection	○	○
Vertical sun protection	○	○
Vertical glass elements	○	○
Tempura/Tempura Quadra heating system	○	○
LED light bar	○	○
Roof vent	○	○
Terrazza system posts		
115 post (square)	●	●
90 post (round)	●	●
Terrazza system guttering		
160 guttering	●	●
220 guttering (only possible with the 115 post)	○	○

● standard ○ optional — unavailable

*** With roof pitches < 5°:**

- With large roof depths and the use of glass staves, there are restrictions with impermeability, if applicable, additional sealing measures are required here.
- Larger deposits form faster in front of glass staves (moss, biofilm etc.).
- With the use of trapezium fillings on the side, the glass area becomes very narrow and therefore neither visually attractive nor very easy to install.
- Using air vents may lead to water getting in (rain due to wind etc.).
- Water that is not drained and water pooling in front of the staves may lead to ice on the roof in cold temperatures.

Terrazza Originale/Plus Technology



General notes

Terrazza scope of delivery

All the small parts required to install a Terrazza roof are supplied as standard. Please also note any possible different or additional statements in the commercial or technical confirmation of the order.

Site measuring/Terrazza planning

- Accurate site measuring is a basic requirement for the job to be carried out well. It is the foundation for the roof's production and to establish other construction requirements.
- weinor needs the roof dimension you want. Please make a note of obstacles like: protruding walls, rainwater downpipes, etc.
- Remember: the roof must be aligned straight.
- Permanently mark the cutting check and location of the special features you noted on site.
- Ideally, take digital photos of the installation site. Your technicians will be grateful for the more detailed information from good photos later on. The weinor staff can then get a better idea of what the site looks like and possibly provide you with non-binding details.
- Also measure the current situation on your building site. This makes it easier to talk about any necessary changes without measuring the site again.
- Unless otherwise specified, the glazing elements will be provided in the specified standard version.
- When designing the glazing elements and specifying glass thicknesses, the relevant statutory regulations must be observed at all times. weinor plans the glazing elements according to the lowest wind load (installation height: 0–8 m; dynamic pressure: 500 N/m²) and applies the specified standard glass thickness to the glazing elements. If different GE types are being used, this may result in deviations in the shape and/or colour of the various handles and glazing beads.
- The owner and customer are ultimately responsible for the statics design of the roof, glazing elements and accessories. In this context, the relevant valid statutory regulations must be observed, in particular Eurocode DIN EN 1990 and 1991, which defines wind and snow loads.
- Powder coating: All weinor patio roof and glazing element surfaces are always supplied powder-coated. Caution, deviations in colour: the degree of sheen in the coating and different powder manufacturers may lead to deviations in colour occurring. The critical colours are RAL 9006 and RAL 9007 as well as all metallic (WT) colours.
- As a rule, production will not commence until after written approval of the order. Orders placed via the E-Shop

are accepted without written approval and forwarded to Production immediately after the order confirmation has been dispatched. No collateral agreements will be accepted as part of the contract.

- Changes to orders made after an order has been approved are only possible in certain instances depending on how far along the production stage has advanced and will therefore incur an additional charge.

Sun protection

- You can either provide sun protection for the Terrazza roof using a WGM Top or undermounted Sottezza Originale.
- The weinor VertiTex II can provide sun protection for the front. This also provides glare and privacy protection.

Installation

- Check the structural conditions: foundation, floor panel, cutting check, masonry
- Check the drawing according to Engineering
- Preparatory work:
 - Check the roof and accessories scope of delivery with parts list/drawing from the confirmation of the order
 - Unpack the scope of delivery
 - Check it for damage
 - Start installation
 - Instructions are available for installation.

Recommended installation material (not in scope of delivery)

- Fixings for mounting the roof to the wall and floor
- Fixings for glazing elements
- Glazing blocks, silicone, sealing glue, Kompri-Band, films, filler cord, insulation material, PU foam
- Weather protection angle bracket above the wall bracket
- Spacers for shimming glazing elements onto the floor

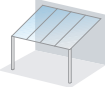
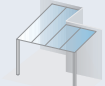

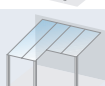
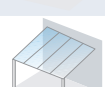
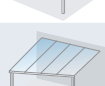

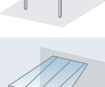

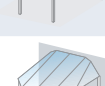
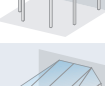
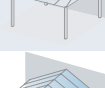

In case of complaints

If something appears to have not been carried out to your satisfaction:

- Take a photo of the package concerned (if possible, a digital photo).
- Make a detailed note of the causes, e.g. the actual dimensions of the supplied package. Our technicians can then compare the dimension with the target dimension to quickly establish the causes.
- Make a detailed note of the target dimension you would have expected. Our technicians can often draw important conclusions from this and give you more tips
- Please immediately contact the weinor office.

Terrazza Originale/Plus Planning

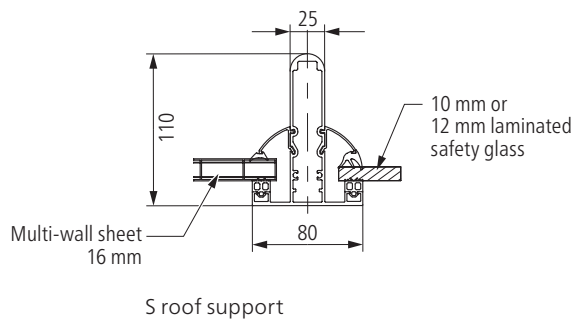
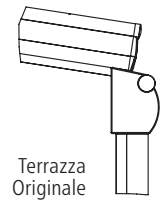
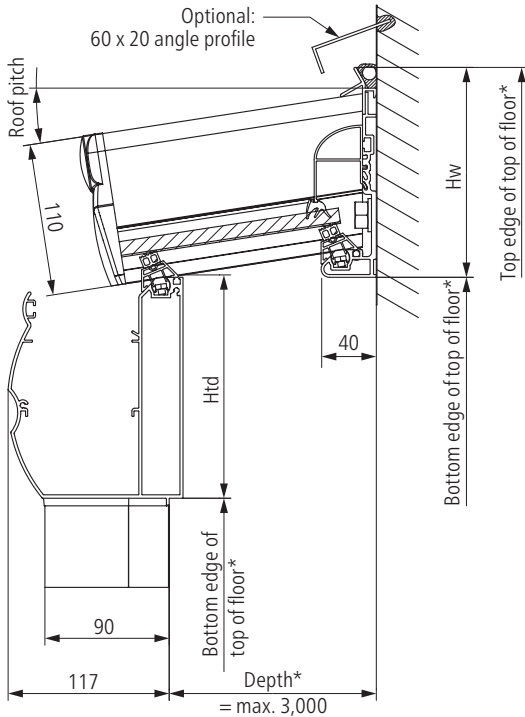
Roof types and combination options

Terrazza		Originale		Originale Plus		
		guttering	90 post	115 post	90 post	115 post
	Pent roof type A Depending on the design, differing distances between centre lines and the resultant additional roof panels can occur.	160 / 220	●	●	○	○
	Pent roof type A with wall offset Depending on the design, differing distances between centre lines and the resultant additional roof panels can occur.	160 / 220	○	○	○	○
	Pent roof type A with balcony recess Depending on the design, differing distances between centre lines and the resultant additional roof panels can occur.	160 / 220	○	○	○	○
	Pent roof type A with guttering offset Depending on the design, differing distances between centre lines and the resultant additional roof panels can occur.	160	○	○	◇	◇
	Pent roof type A tapered wall bracket left/right Pent roof with tapered wall bracket or partially tapered wall bracket	160	○	○	○	○
	Pent roof type A tapered guttering left/right Pent roof with tapered guttering or partially tapered guttering	160	○	—	◇	—
	Pent roof type B Pent roof with bent side roof supports, width of outer roof panel max. 1,000 mm, roof depth max. 4,500 mm	160	○	◇	—	—
	Pent roof type C Pent roof with tapered side roof supports, width of outer roof panel max. 1,000 mm, roof depth max. 4,500 mm	160	○	◇	◇	◇
	Pent roof type G Pent roof with hipped and bevelled sides, with continuous guttering, width of outer roof panel max. 1,000 mm, roof depth max. 4,500 mm	160	○	—	—	—
	Pent roof type I Pent roof with hipped sides with continuous guttering, width of outer roof panel max. 1,000 mm, roof depth max. 4,500 mm	160	○	—	—	—
	Pitched roof type L Pitched roof, width max. 6,500 mm, roof depth max. 6,500 mm (observe minimum roof pitch of 5° – 30°)	160	○	◇	◇	◇
	Pent roof type N Roof plane angled, outer corner always 90°, Hip rafters from 2 individual roof supports with cover plates	160	○	◇	—	◇
	Pent roof type R Roof plane angled, inner flute always 90°	160	○	—	—	—

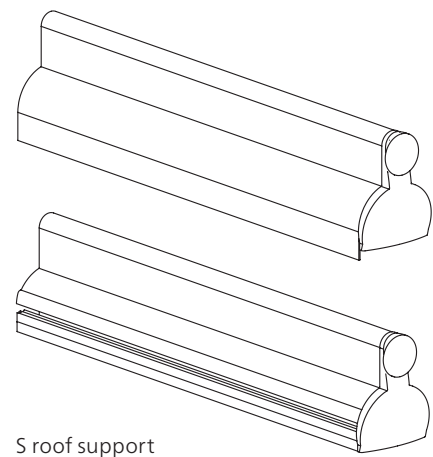
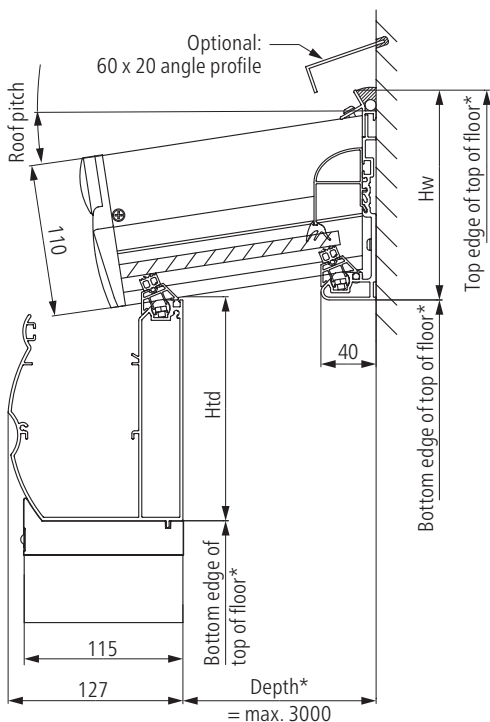
● standard ○ optional ◇ upon request — unavailable

Cross-sections and dimensions

160 guttering – S roof support (max. roof depth 3,000 mm)



90 post



115 post

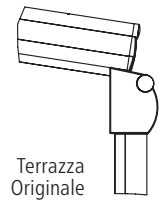
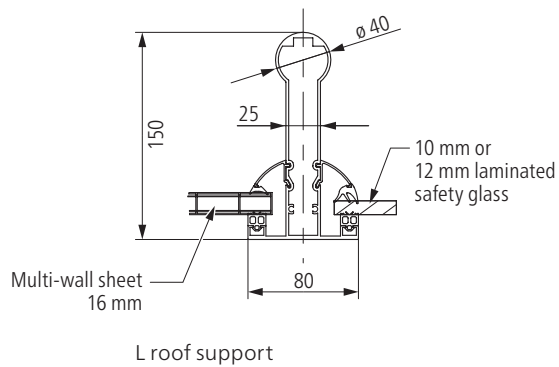
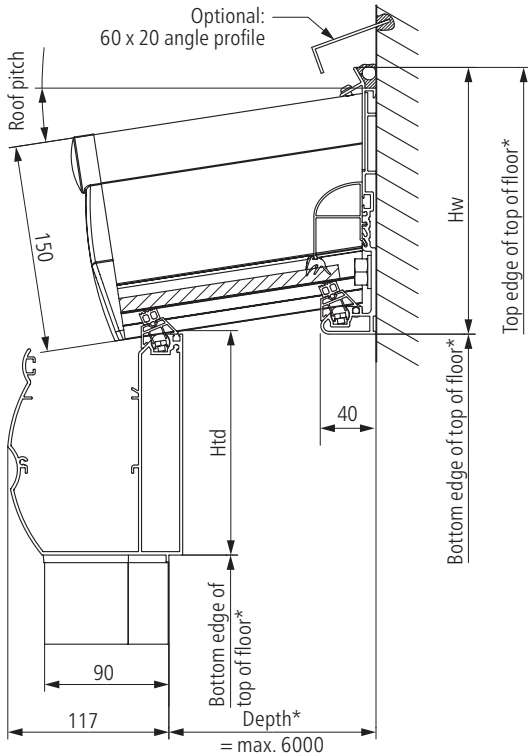
- * Order dimension
- Htd** Trapezium height on the guttering
- Hw** Wall bracket height
- OKFF** Top of floor
- UKd** Bottom of guttering
- UKw** Bottom of wall bracket
- OKw** Top of wall bracket

Roof pitch to	5°	10°	15°	20°	25°	30°	35°	40°	45°
Hw in mm	152	153	156	159	164	171	180	192	208
Htd in mm	161	163	164	166	168	170	172	175	178

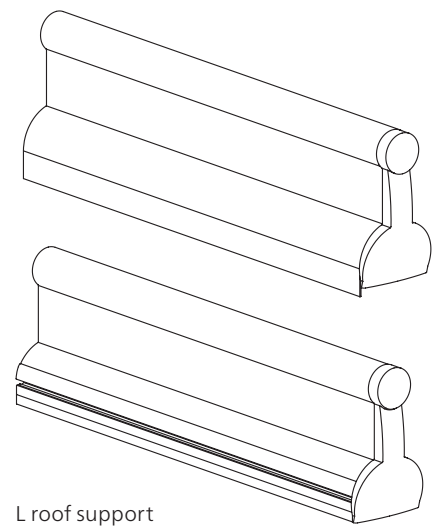
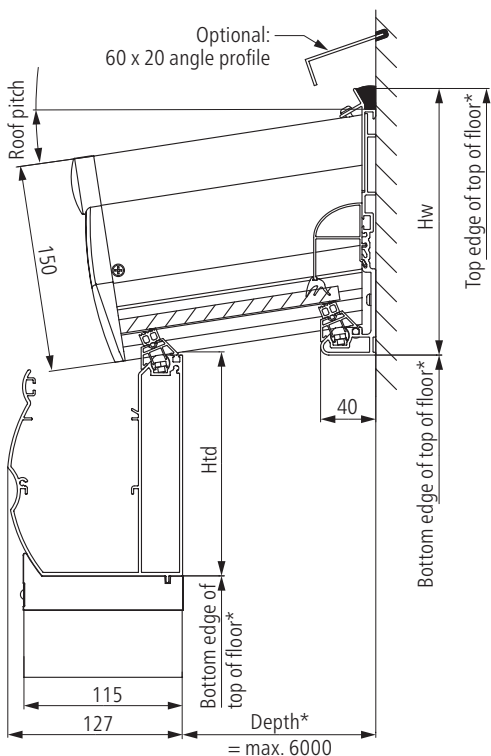
Figures are in mm

Cross-sections and dimensions

160 guttering – L roof support (max. roof depth 6,000 mm)



90 post



115 post

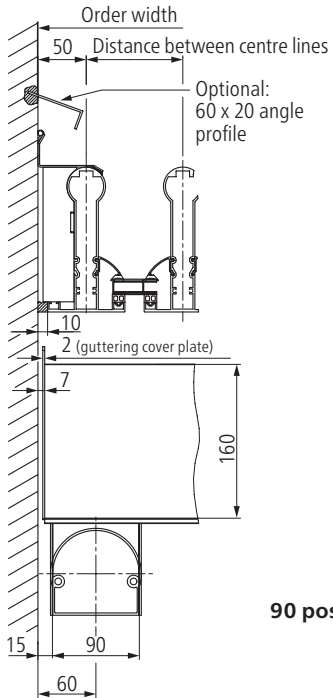
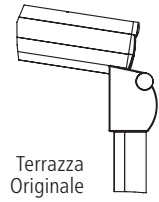
- * Order dimension
- Htd** Trapezium height on the guttering
- Hw** Wall bracket height
- OKFF** Top of floor
- UKd** Bottom of guttering
- UKw** Bottom of wall bracket
- OKw** Top of wall bracket

Roof pitch to	5°	10°	15°	20°	25°	30°	35°	40°	45°
Hw in mm	192	194	197	202	208	217	229	245	264
Htd in mm	161	163	164	166	168	170	172	175	178

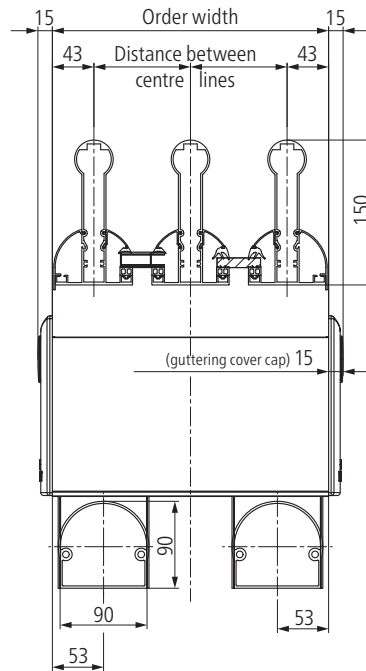
Cross-sections and dimensions

160 guttering – L roof support with and without side wall bracket

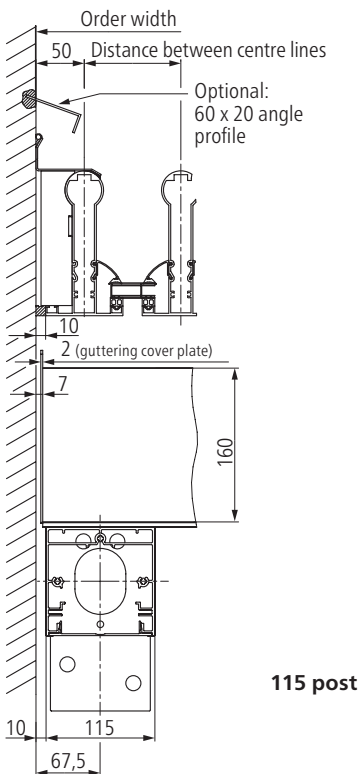
Vertical section through the roof support profiles with distances between centre lines and widths (dimensions also valid for S type roof support)



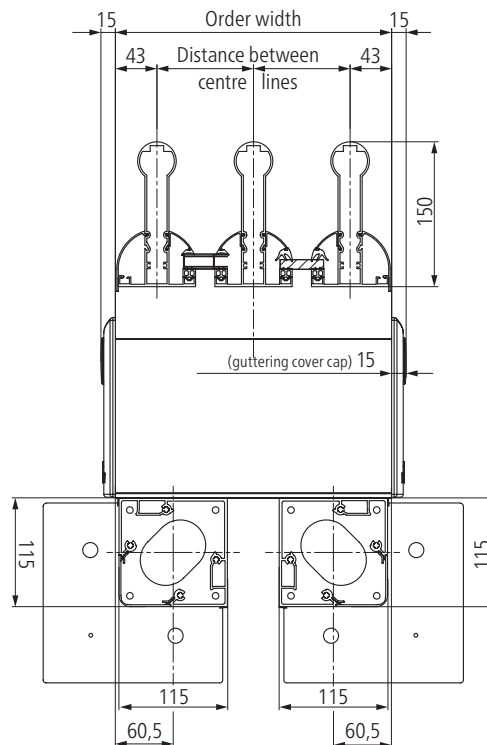
Gutter and post position on the wall



Gutter and post position, free-standing



Gutter and post position on the wall



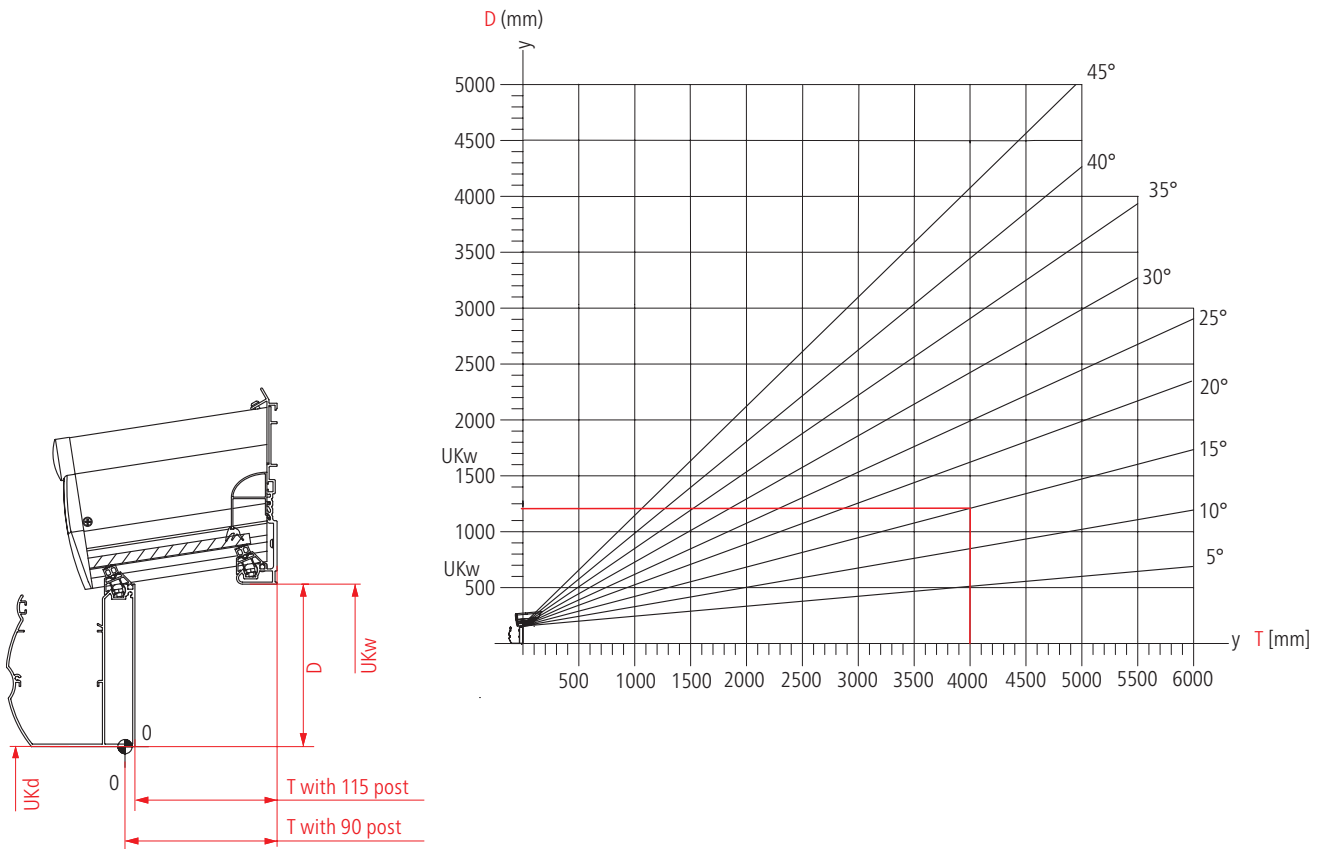
Gutter and post position, free-standing

Cross-sections and dimensions

Determining the distance between bottom edge of guttering to bottom edge of wall bracket

Roof depth T (mm)	1000	1250	1500	1750	2000	2250	2500	2750	3000	3250	3500	3750	4000	4250	4500	4750	5000	5250	5500	5750	6000
90 post																					
Roof pitch 5°	226	248	269	291	313	335	357	379	401	423	444	466	488	510	532	554	576	598	619	641	663
Roof pitch 15°	403	470	537	604	671	738	805	872	939	1005	1072	1139	1206	1273	1340	1407	1474	1541	1608	1675	1742
115 post																					
Roof pitch 5°	227	248	270	292	314	336	358	380	402	423	445	467	489	511	533	555	577	598	620	642	664
Roof pitch 15°	405	472	539	606	673	740	807	874	941	1008	1075	1142	1209	1276	1343	1410	1477	1544	1611	1678	1745

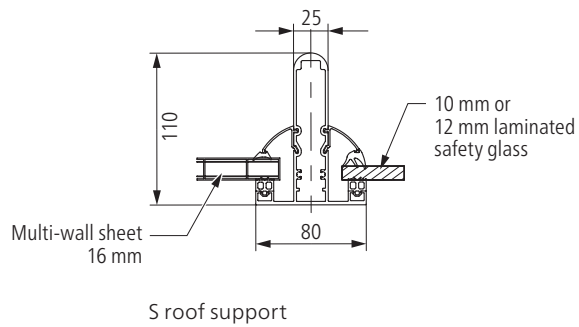
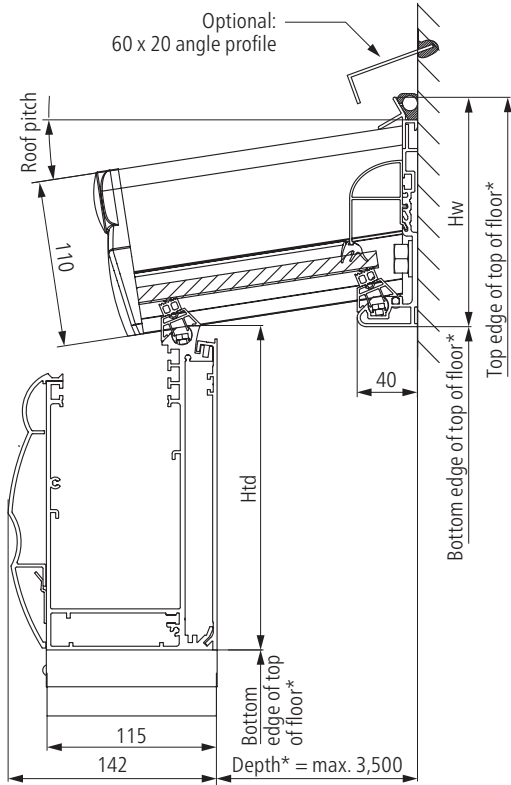
Distance D (between UKw and UKd)



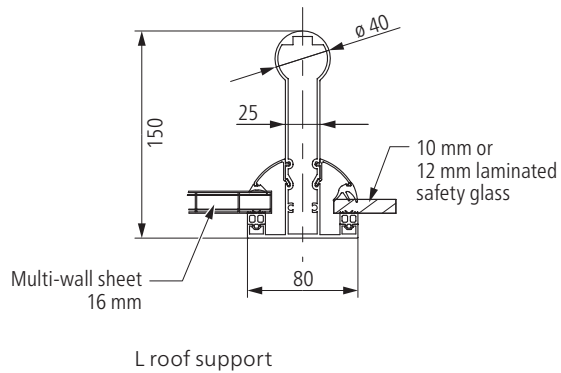
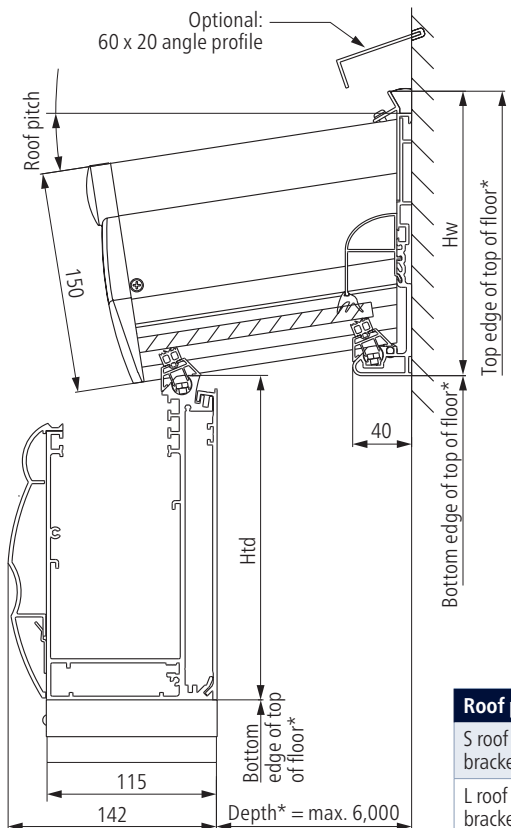
Terrazza Originale Planning

Cross-sections and dimensions

220 guttering – S roof support (max. roof depth 3,000 mm)



220 guttering – L roof support (max. roof depth 6,000 mm)

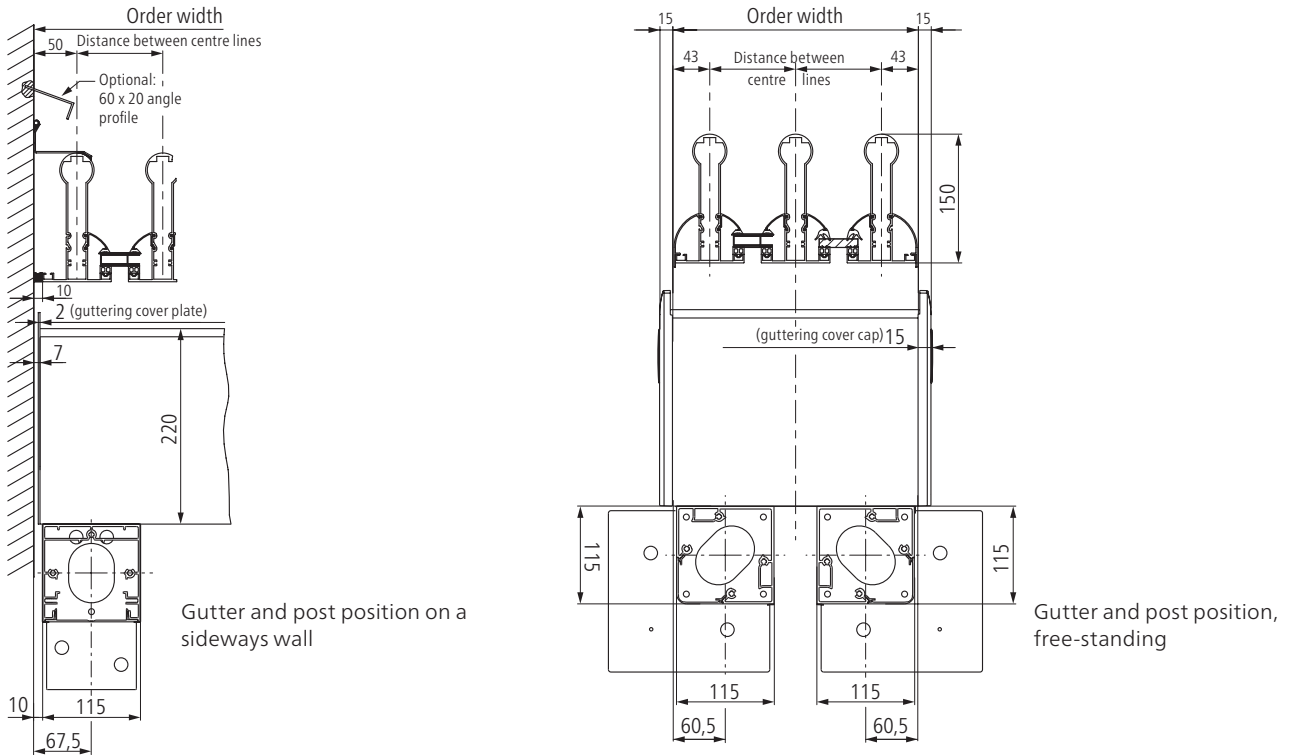


- * Order dimension
- Htd** Trapezium height on the guttering
- Hw** Wall bracket height
- OKFF** Top of floor
- UKd** Bottom of guttering
- UKw** Bottom of wall bracket
- OKw** Top of wall bracket

Roof pitch to	5°	10°	15°	20°	25°	30°	35°	40°	45°
S roof support wall bracket height in mm	152	153	156	159	164	171	180	192	208
L roof support wall bracket height in mm	192	194	197	202	208	217	229	245	264
Htd in mm	221	223	224	226	228	230	232	235	238

Cross-sections and dimensions

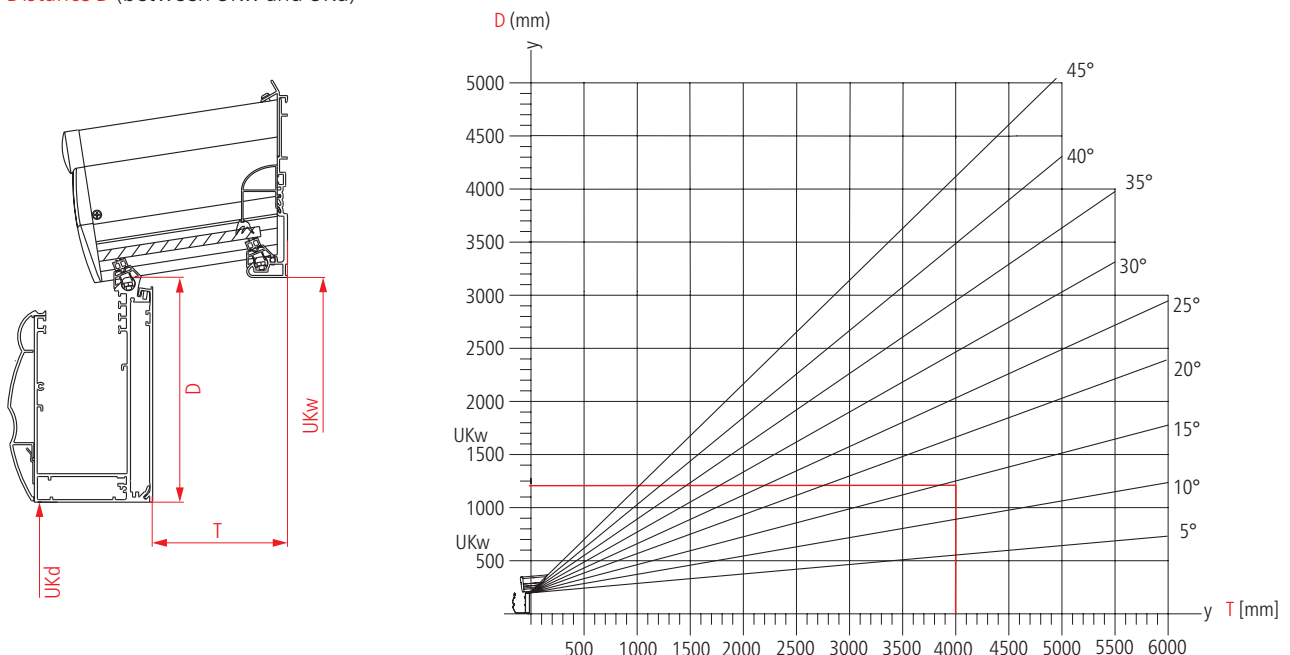
220 guttering – L roof support with and without side wall bracket



Determining the distance between bottom edge of guttering to bottom edge of wall bracket

Roof depth T (mm)	1000	1250	1500	1750	2000	2250	2500	2750	3000	3250	3500	3750	4000	4250	4500	4750	5000	5250	5500	5750	6000
115 post (220 guttering)																					
Roof pitch 5°	287	308	330	353	374	396	418	440	462	483	505	527	549	571	593	615	637	658	680	702	724
Roof pitch 15°	465	532	599	666	733	800	867	934	1001	1068	1135	1202	1269	1336	1403	1470	1537	1604	1671	1738	1805

Distance D (between UKw and UKd)

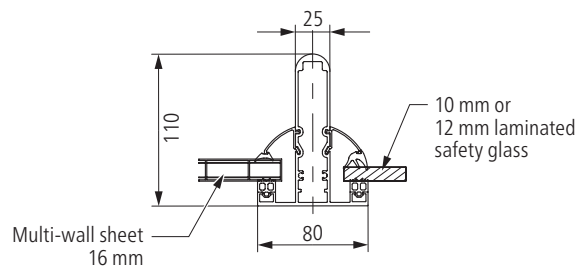
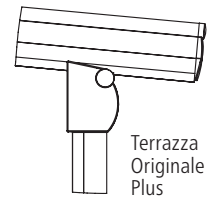
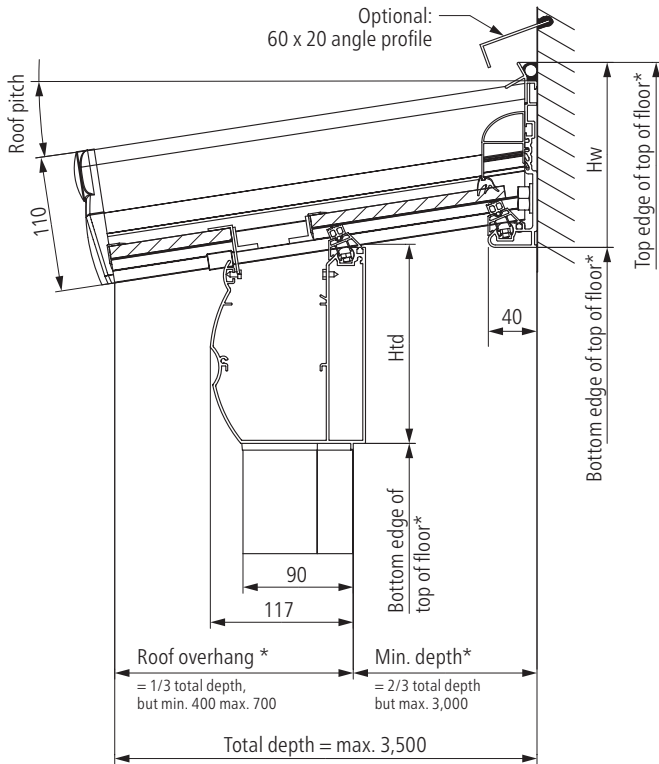




Terrazza Originale Plus Planning

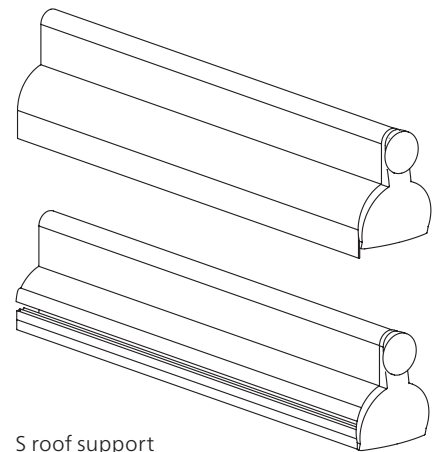
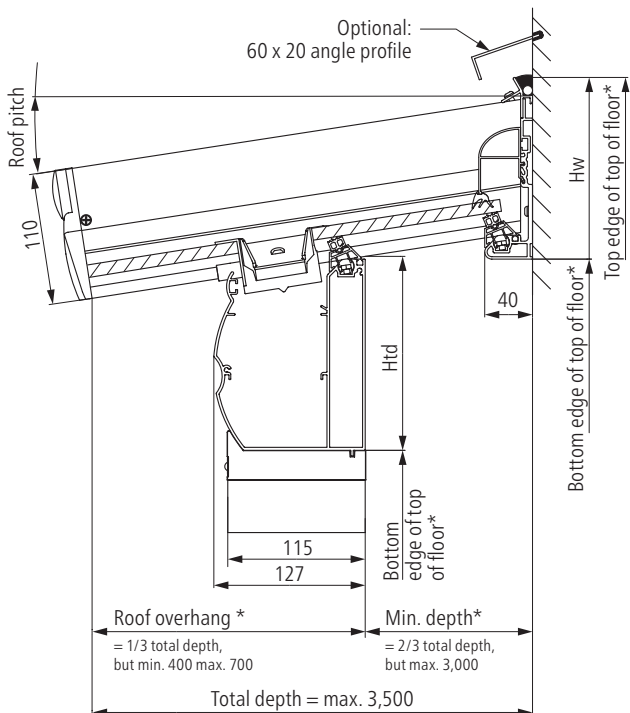
Cross-sections and dimensions

160 guttering – S roof support (max. roof depth 3,500 mm)



S roof support

90 post



S roof support

- * Order dimension
- Htd** Trapezium height on the guttering
- Hw** Wall bracket height
- OKFF** Top of floor
- UKd** Bottom of guttering
- UKw** Bottom of wall bracket
- OKw** Top of wall bracket

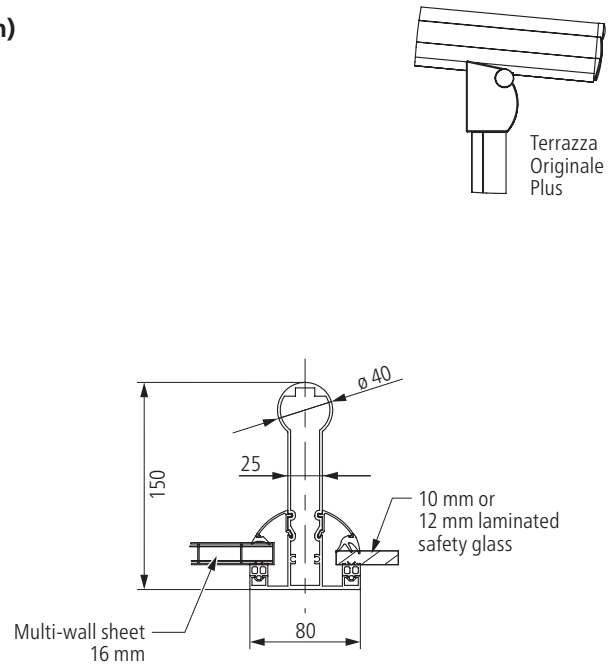
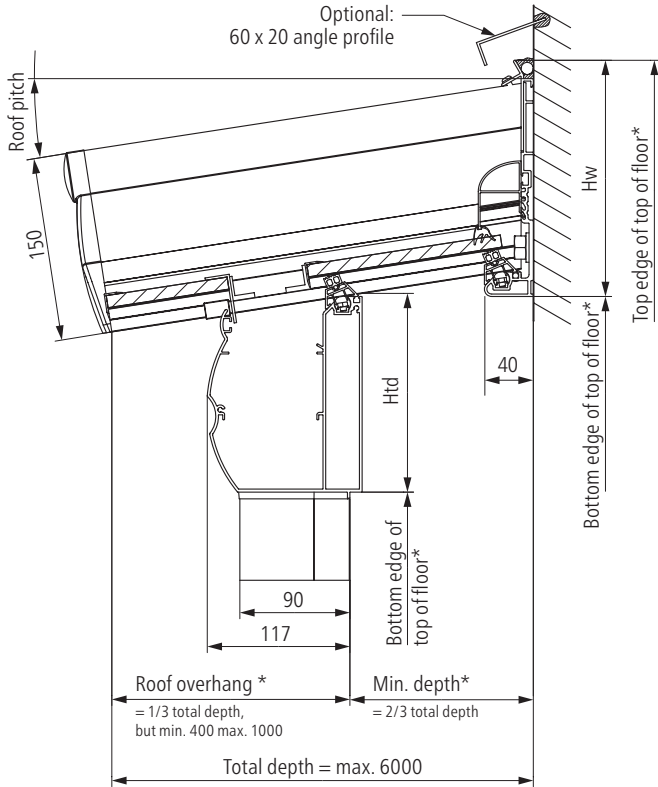
Roof pitch to	5°	10°	15°
Hw in mm	152	153	156
Htd in mm	161	163	164

115 post

Terrazza Originale Plus Planning

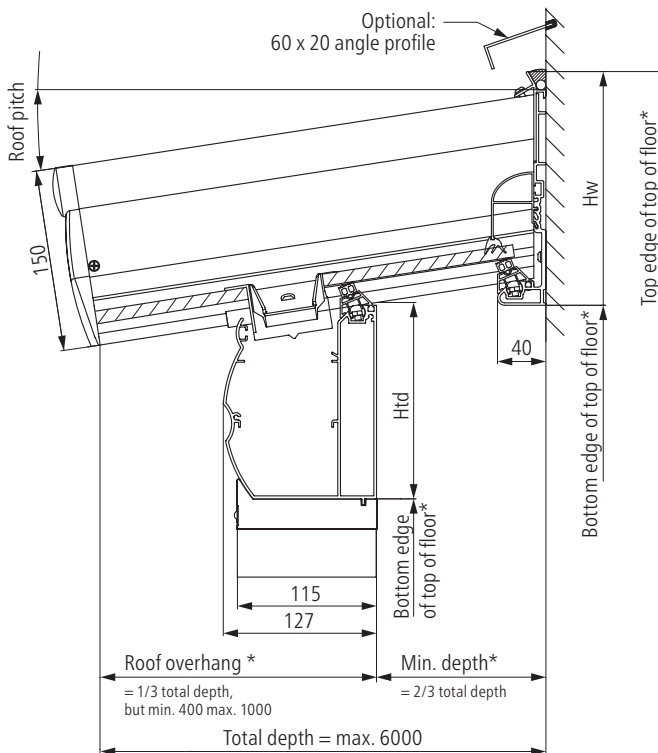
Cross-sections and dimensions

160 guttering – L roof support (max. roof depth 6,000 mm)

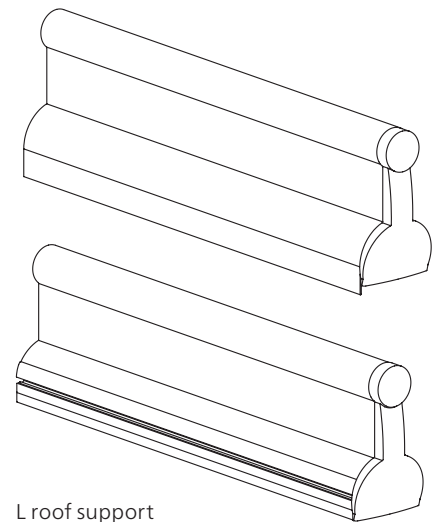


L roof support

90 post



115 post



L roof support

* Order dimension

Htd Trapezium height on the guttering

Hw Wall bracket height

OKFF Top of floor

UKd Bottom of guttering

UKw Bottom of wall bracket

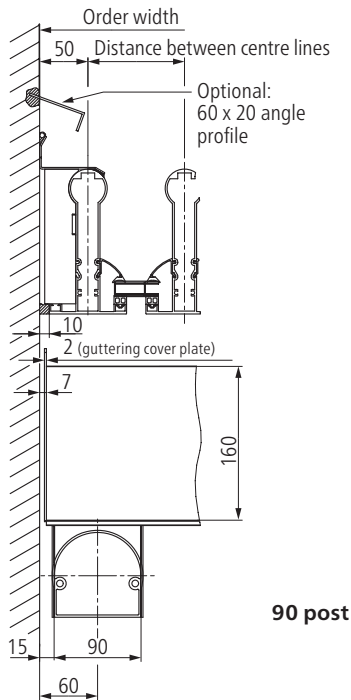
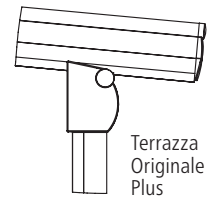
OKw Top of wall bracket

Roof pitch to	5°	10°	15°
Hw in mm	192	194	197
Htd in mm	161	163	164

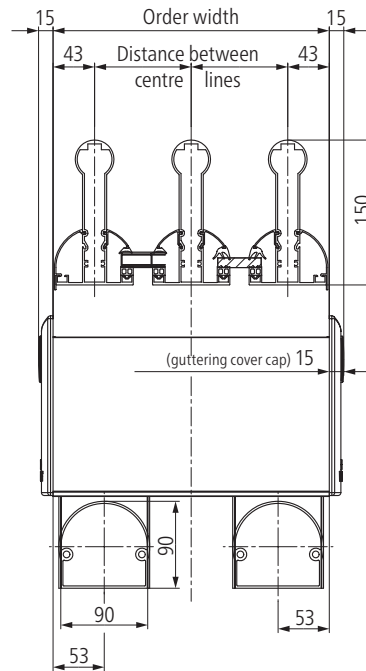
Cross-sections and dimensions

160 guttering – L roof support with and without side wall bracket

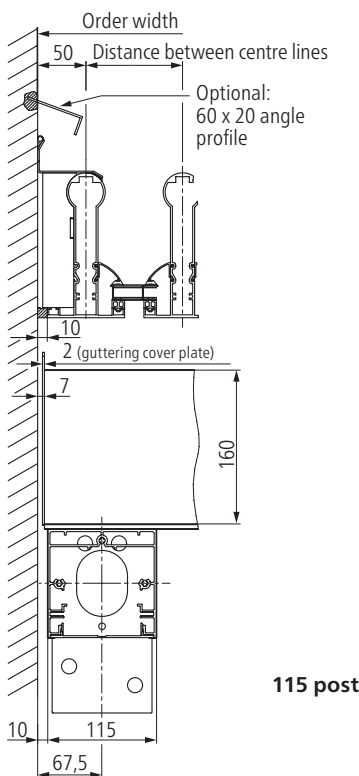
Vertical section through the roof support profiles with distances between centre lines and widths (dimensions also valid for type S roof support)



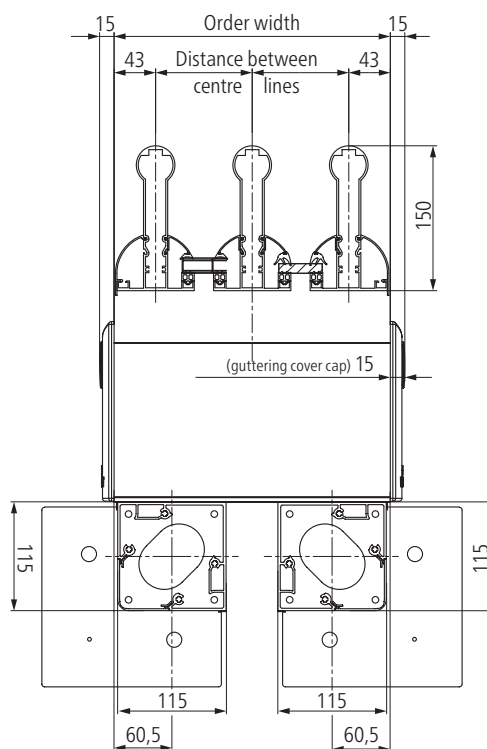
Gutter and post position on the wall



Gutter and post position, free-standing



Gutter and post position on the wall



Gutter and post position, free-standing

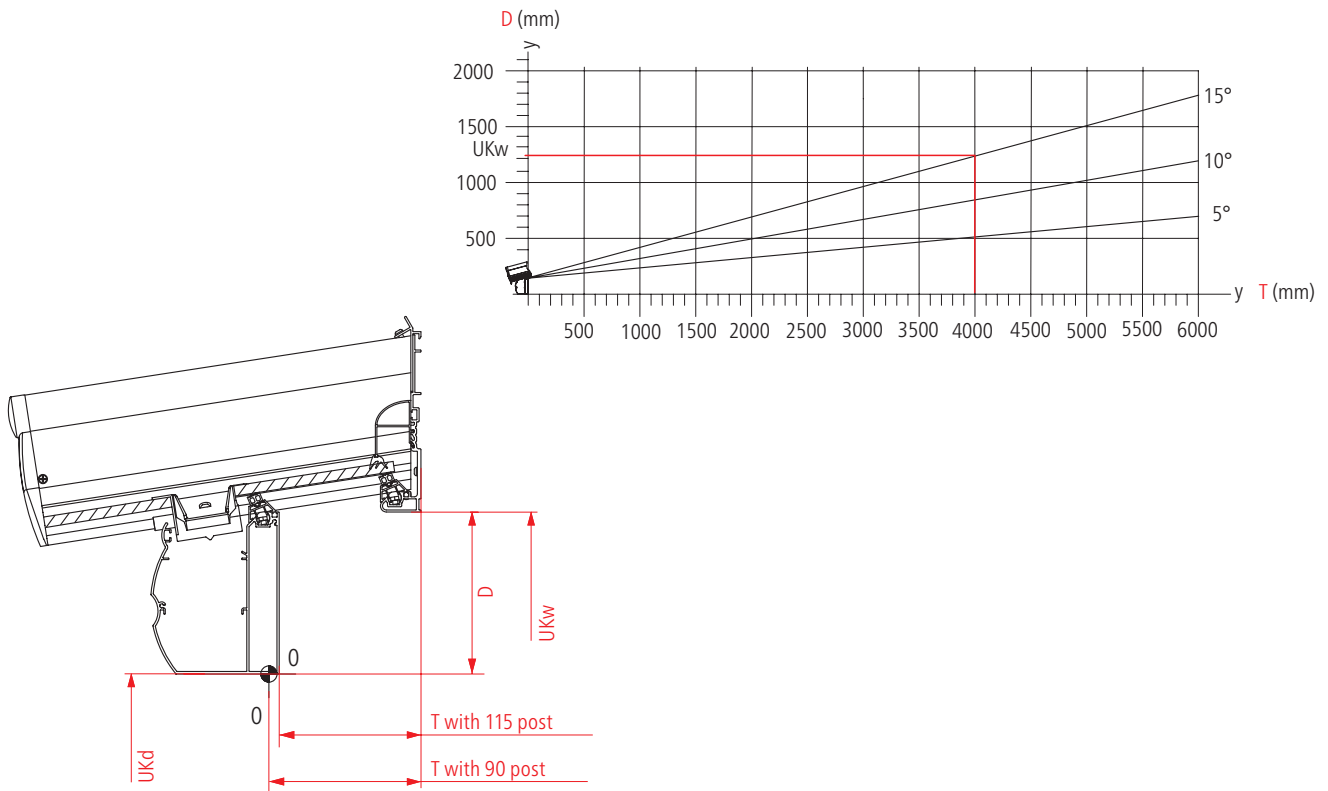
Terrazza Originale Plus Planning

Cross-sections and dimensions

Determining the distance between bottom edge of guttering to bottom edge of wall bracket

Roof depth T (mm)	1000	1250	1500	1750	2000	2250	2500	2750	3000	3250	3500	3750	4000	4250	4500	4750	5000	5250	5500	5750	6000
90 post																					
Roof pitch 5°	226	248	269	291	313	335	357	379	401	423	444	466	488	510	532	554	576	598	619	641	663
Roof pitch 15°	403	470	537	604	671	738	805	872	939	1005	1072	1139	1206	1273	1340	1407	1474	1541	1608	1675	1742
115 post																					
Roof pitch 5°	227	248	270	292	314	336	358	380	402	423	445	467	489	511	533	555	577	598	620	642	664
Roof pitch 15°	405	472	539	606	673	740	807	874	941	1008	1075	1142	1209	1276	1343	1410	1477	1544	1611	1678	1745

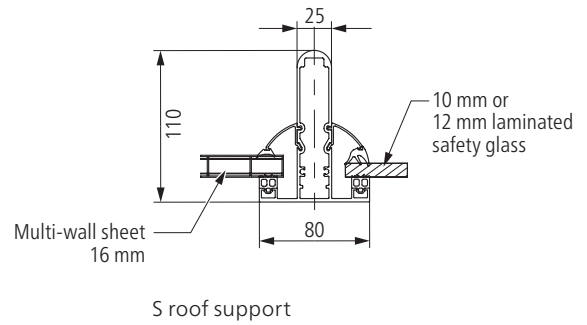
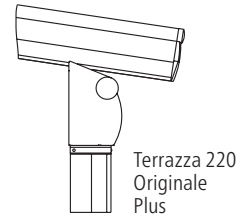
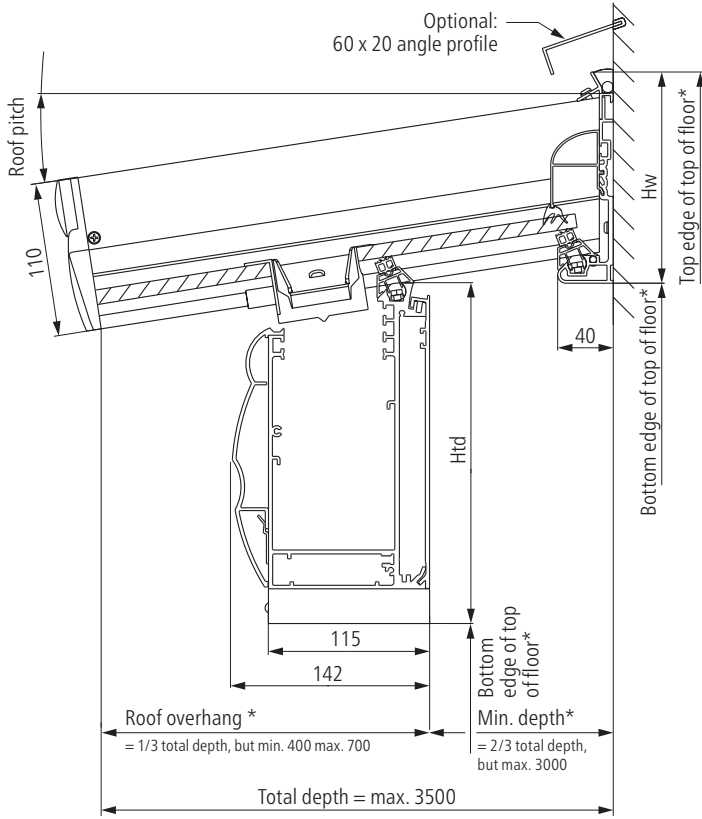
Distance D (between UKw and UKd)



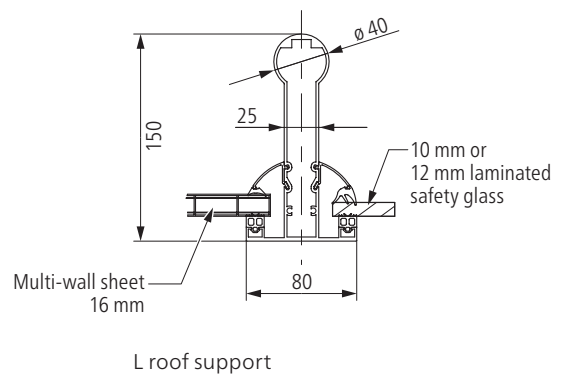
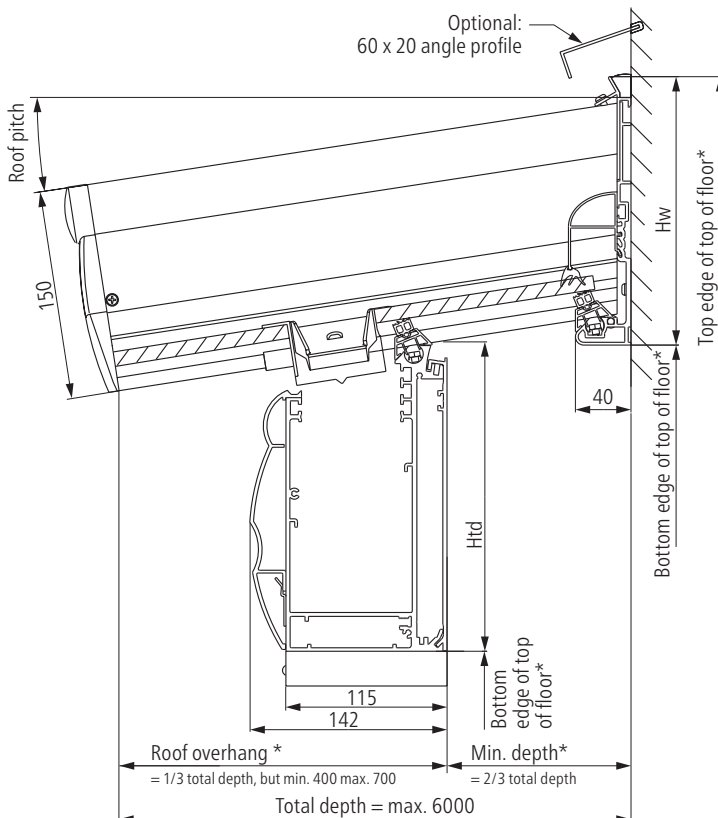
Terrazza Originale Plus Planning

Cross-sections and dimensions

220 guttering – S roof support (max. roof depth 3,500 mm)



220 guttering – L roof support (max. roof depth 6,000 mm)

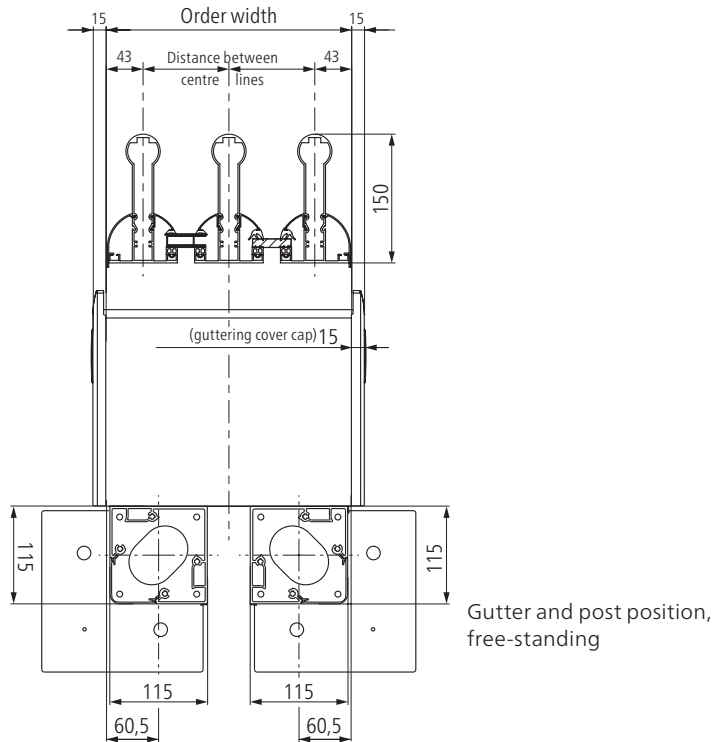
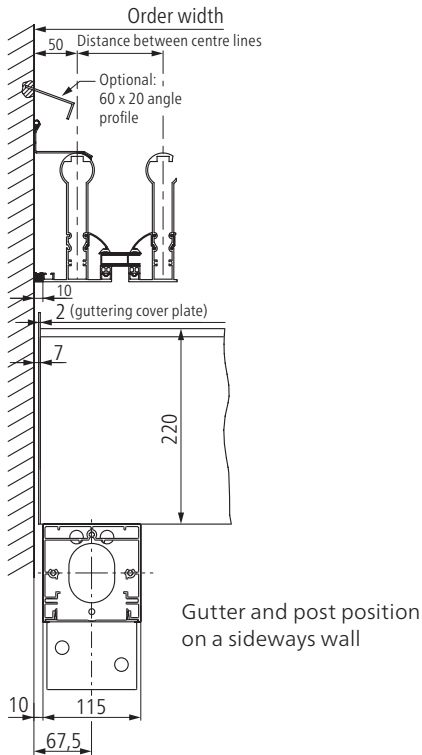


- * Order dimension
- Htd** Trapezium height on the guttering
- Hw** Wall bracket height
- OKFF** Top of floor
- UKd** Bottom of guttering
- UKw** Bottom of wall bracket
- OKw** Top of wall bracket

Roof pitch to	5°	10°	15°
Hw in mm	152	153	156
Htd in mm	221	223	224

Cross-sections and dimensions

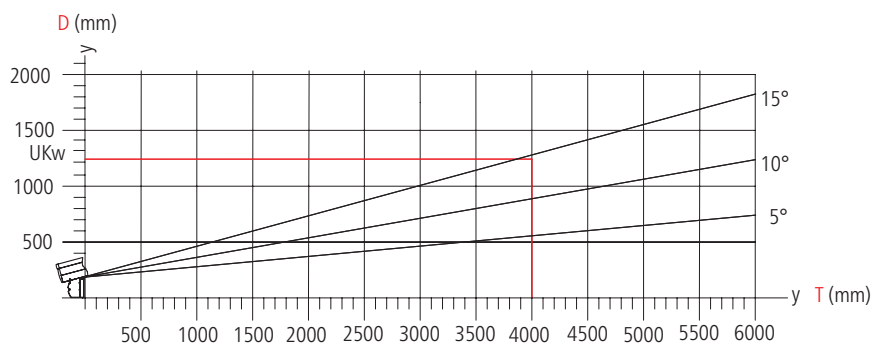
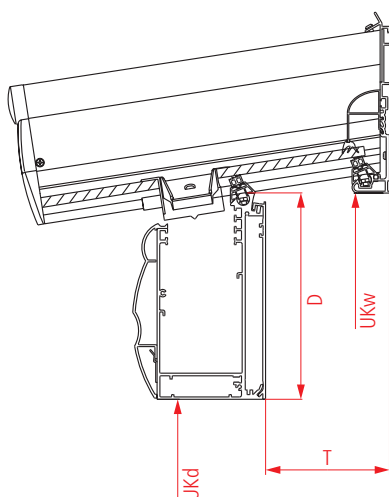
220 guttering – L roof support with and without side wall bracket



Determining the distance between bottom edge of guttering to bottom edge of wall bracket

Roof depth T (mm)	1000	1250	1500	1750	2000	2250	2500	2750	3000	3250	3500	3750	4000	4250	4500	4750	5000	5250	5500	5750	6000
115 post (220 guttering)																					
Roof pitch 5°	287	308	330	353	374	396	418	440	462	483	505	527	549	571	593	615	637	658	680	702	724
Roof pitch 15°	465	532	599	666	733	800	867	934	1001	1068	1135	1202	1269	1336	1403	1470	1537	1604	1671	1738	1805

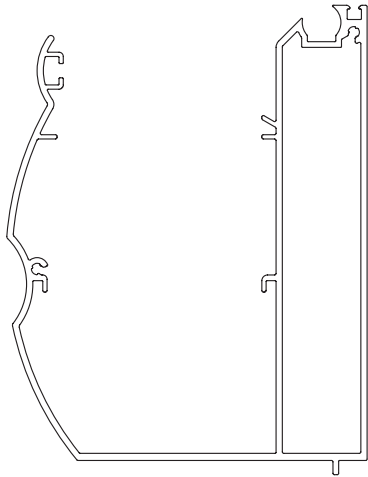
Distance D (between UKw and UKd)



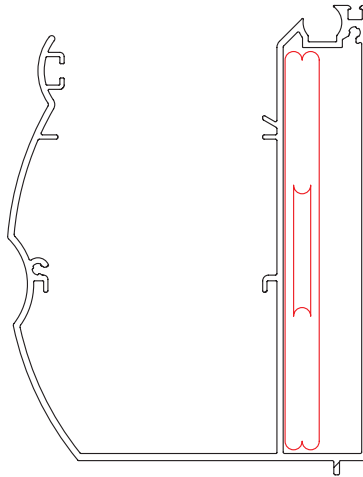
Terrazza Originale/Plus Planning

Guttering steel reinforcement bar

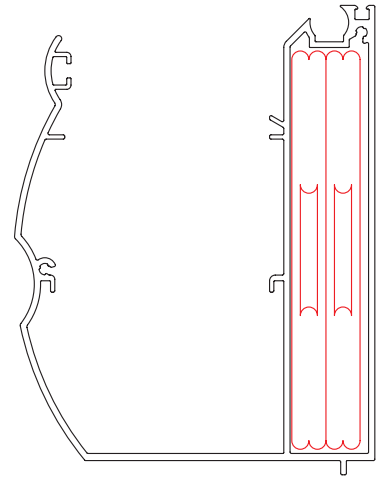
160 guttering – steel reinforcement bar



Without steel reinforcement bar



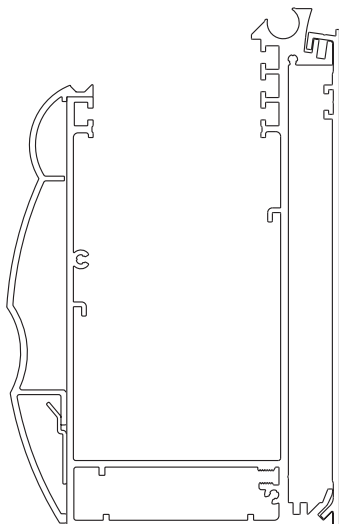
1 x 140 steel reinforcement bar



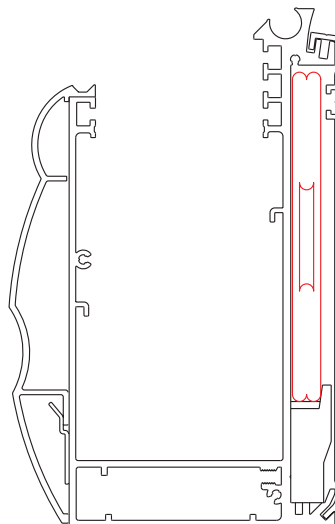
2 x 140 steel reinforcement bars

Guttering weight – 160 guttering	excluding steel	1 x 140 steel	2 x 140 steel
kg/m (without side cover caps)	4.0	15.0	26.0

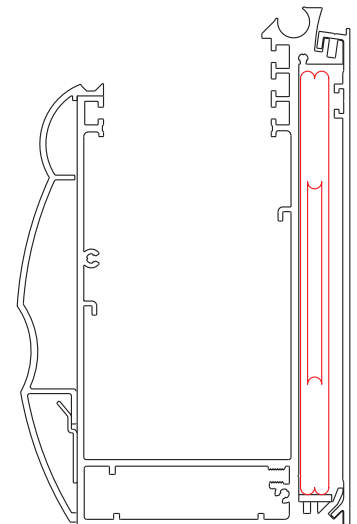
220 guttering – steel reinforcement bar



Without steel reinforcement bar



1 x 140 steel reinforcement bar



1 x 180 steel reinforcement bar

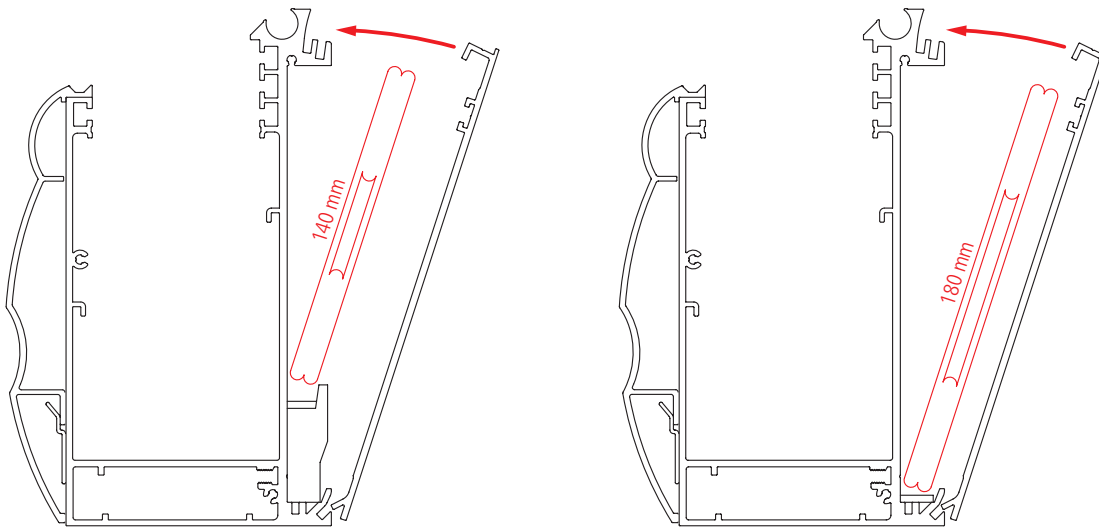
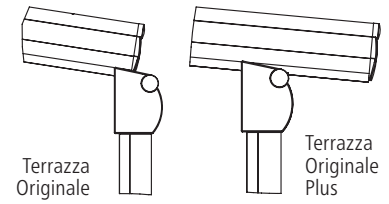
Guttering weight – 220 guttering	excluding steel	1 x 140 steel	1 x 180 steel
kg/m (without side cover caps)	6.5	17.5	19.5

The maximum spans depend on the roof depth and required snow load. You can find the details about this in the current weinor Terrazza price list.

Guttering steel reinforcement bar

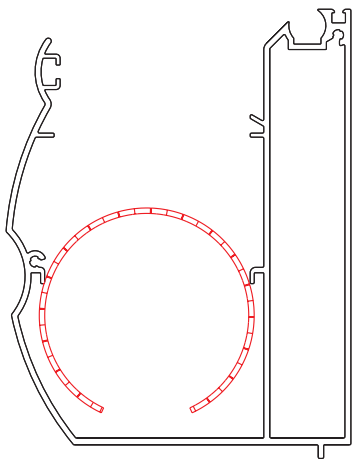
Special feature: and only from weinor!

The steel reinforcement bar and roof gutter profile can be ordered separately. Thanks to the removable back of the 220 guttering, the 140 and 180 mm steel reinforcement bar can be inserted into the gutter from the back afterwards. This significantly reduces the weight for transport and installation.

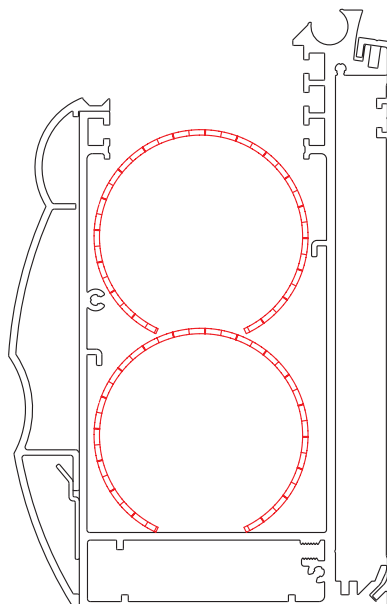


Weight (kg/m)	220 guttering	140 steel	180 steel
Individual weight	6.5	11.0	13.0

Guttering protective leaf grill



160 guttering protective leaf grill



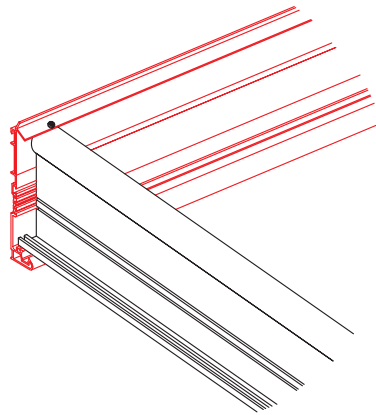
220 guttering protective leaf grill

Terrazza Originale/Plus Planning

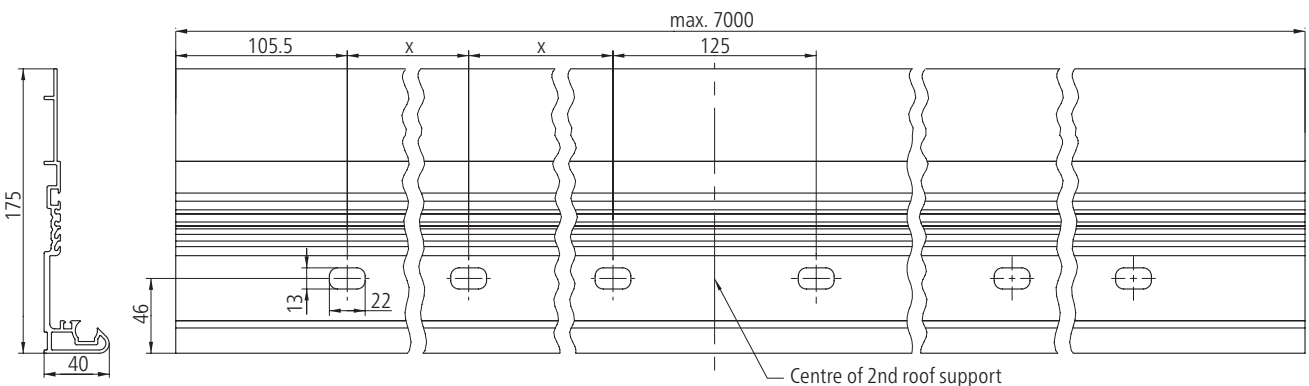
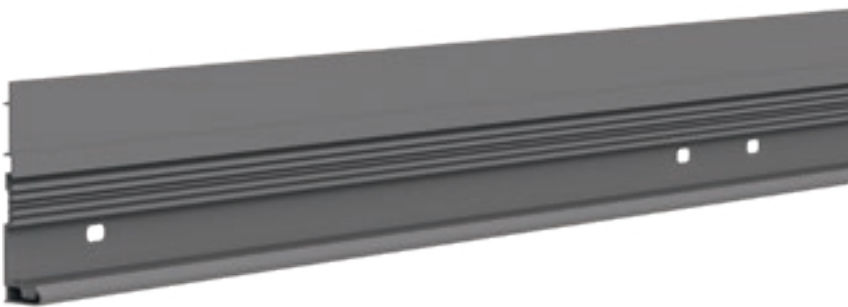
Installation on the wall using the continuous wall connection profile



The Terrazza Originale/Plus is installed to a wall using the wall connection profile. The wall connection profile is used for the stable installation of the Terrazza Originale/Plus.



Installation of the Terrazza Originale/Plus on the wall using the continuous wall connection profile (using the example type L)

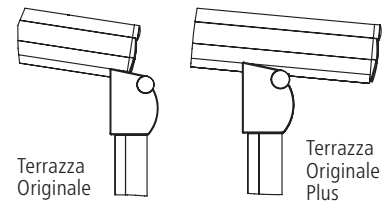
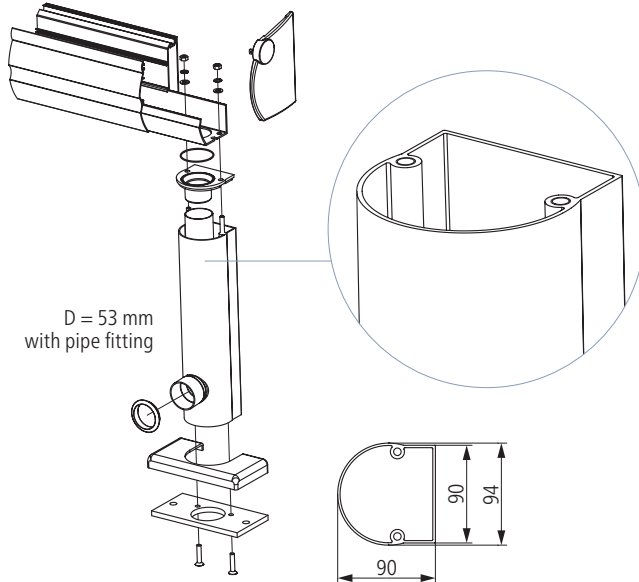


Using the example of a Terrazza Originale type L

Terrazza originale/Plus Posts

Drain and posts

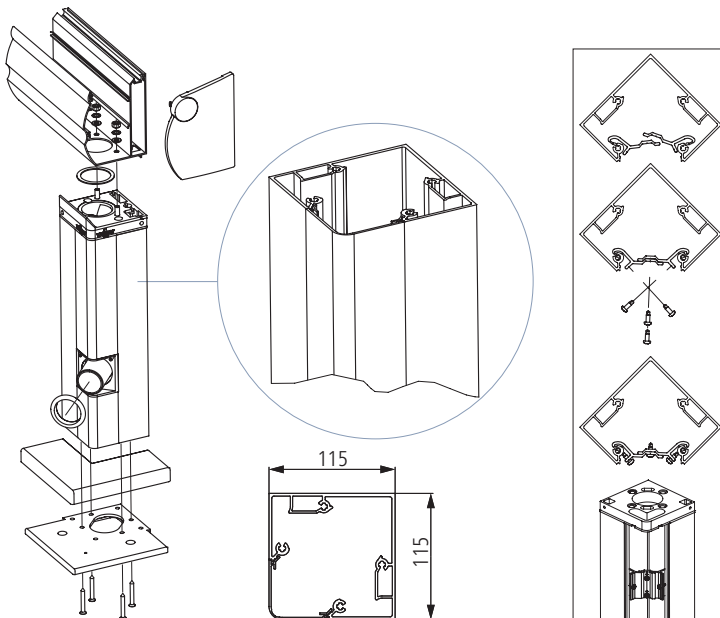
90 post



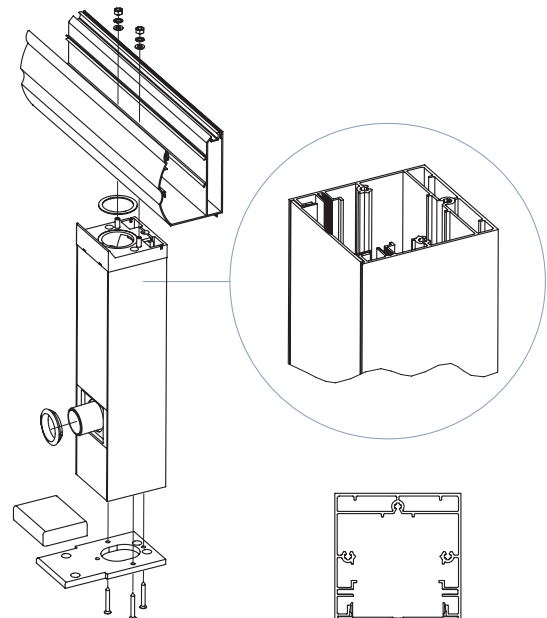
Invisibly integrated plastic pipe

Rainwater is discretely and systematically drained away through the integrated water drain. The plastic pipe 53 is invisibly integrated into the post. The drain can also be purposefully fed through a post plate, if used.

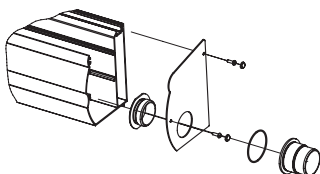
Outside 115 post



115 centre/wall post



Sideways guttering drain (optional)

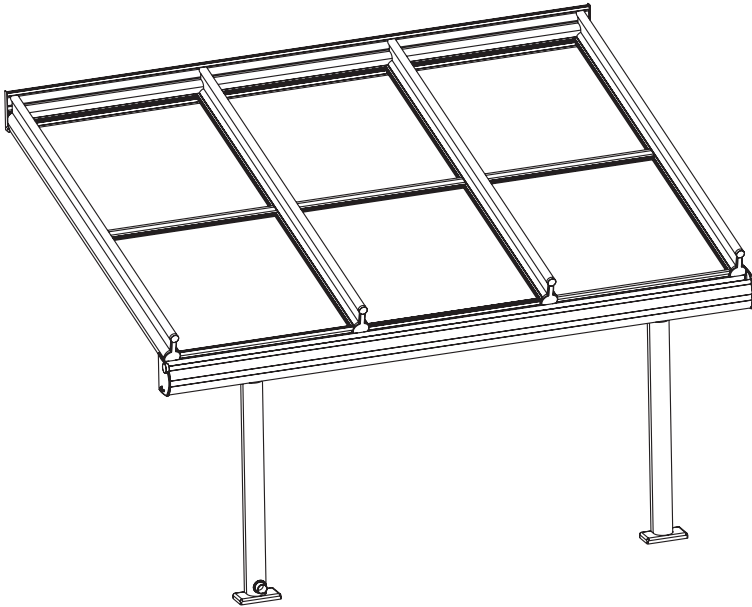


Drain on the side of the 160 and 220 guttering incl. cover plate and screw sockets (made of aluminium and powder-coated in same colour as roof)

Terrazza Originale/Plus Posts

Variable post positions

Terrazza Originale with indented posts

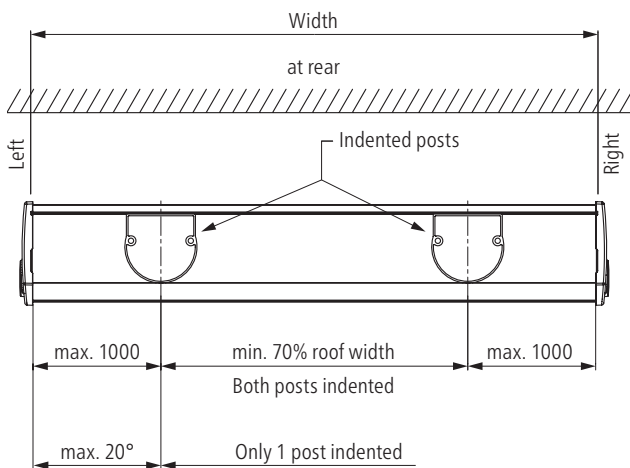


If the outer posts are indented, the centre post can be omitted for certain roof dimensions. Additional steel reinforcement bars in the guttering or the crossbeam also permit the number of posts and spacings to be changed.

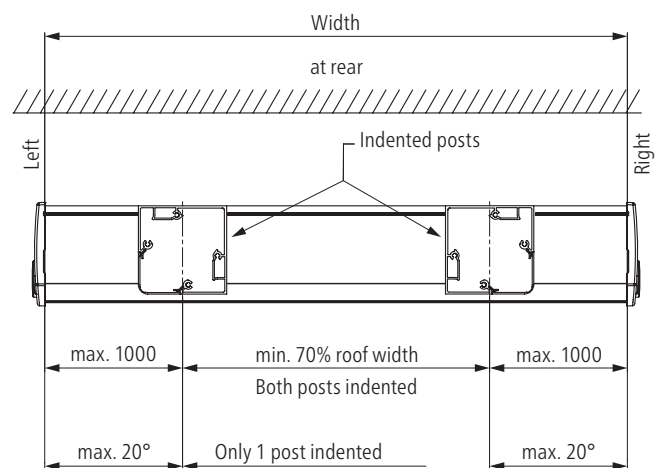
Flexible reactions to structural situations that call for the variable positioning of the posts are also possible.

Maximal indent dimension of the posts

View from below



View from below

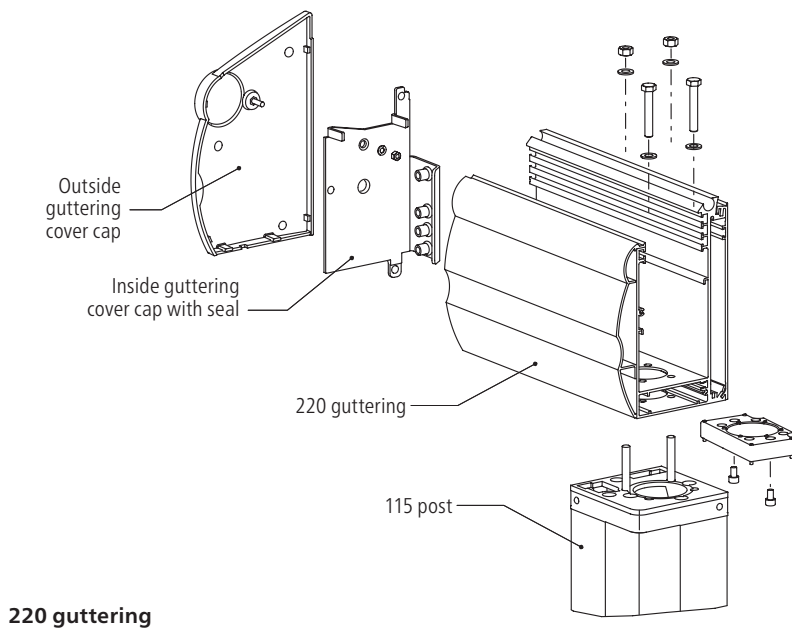
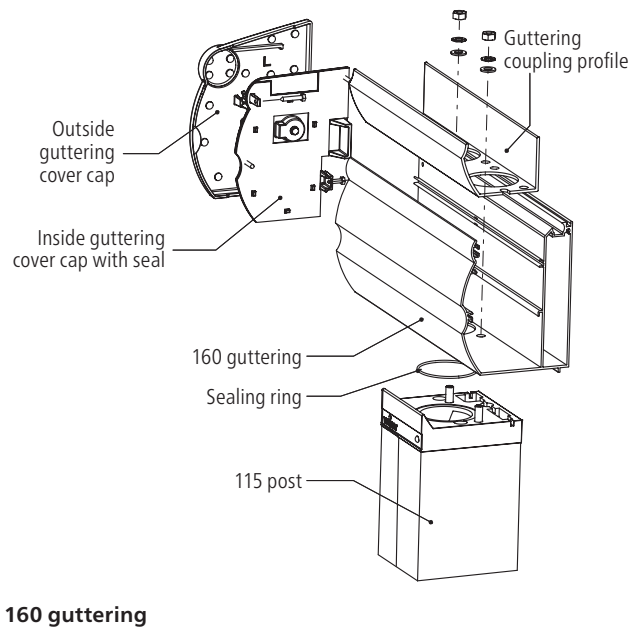
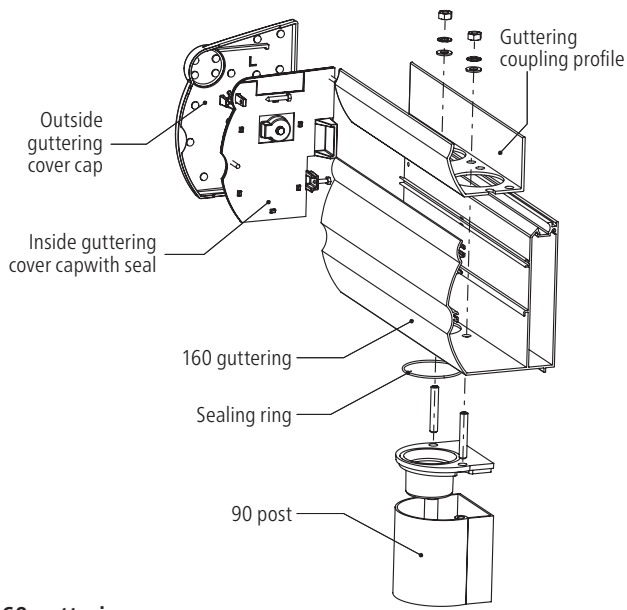
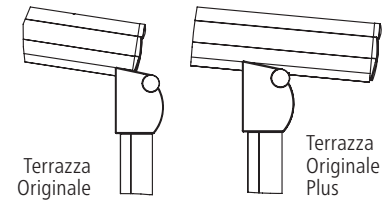


The maximum spacing between the posts can be increased via steel inserts in the guttering. Caution, this can increase the weight of the rain gutter. As snow loads increase, the maximum post spacings reduce accordingly.

Terrazza Originale/Plus Posts

Variable post positions

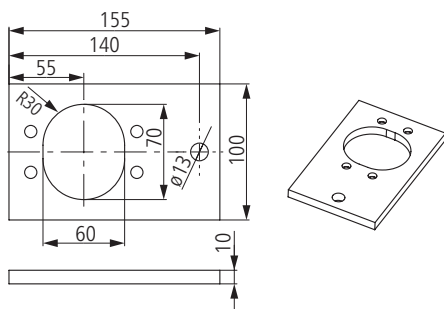
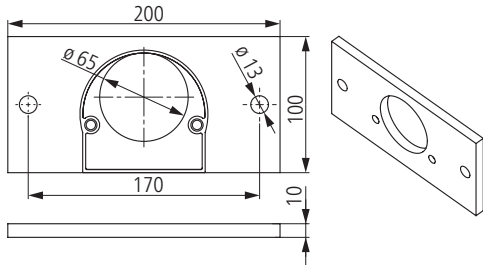
Posts on guttering/crossbeam for Terrazza Originale and Terrazza Originale Plus



Terrazza Originale/Plus Posts

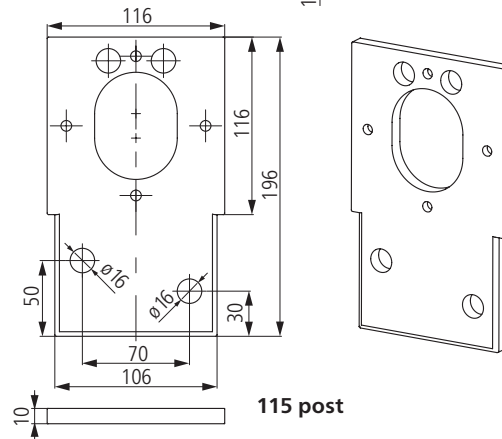
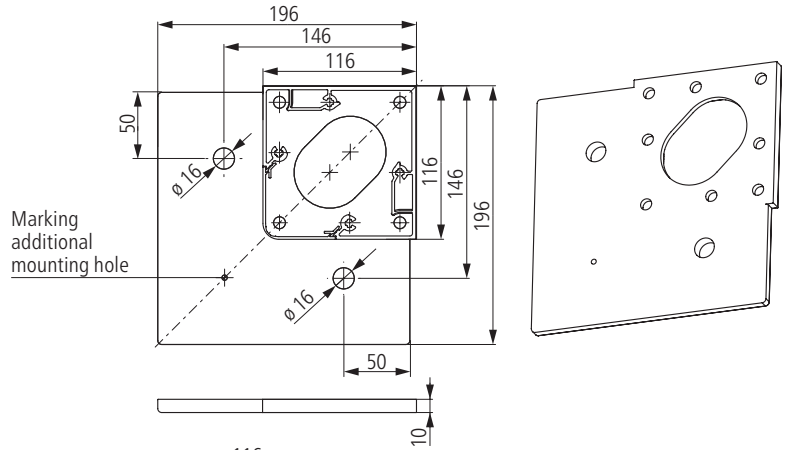
Post plates

Post plate for fixing to the foundation



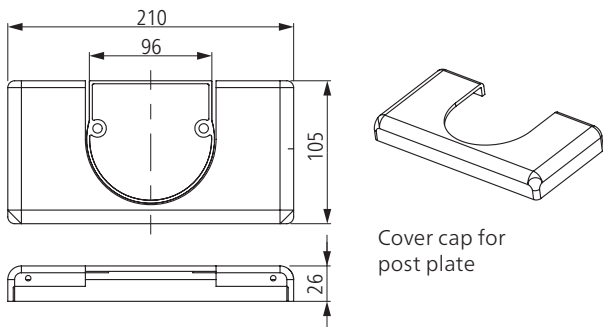
Post plate on wall

90 post

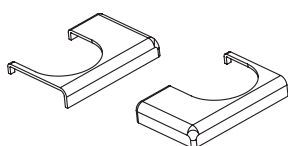
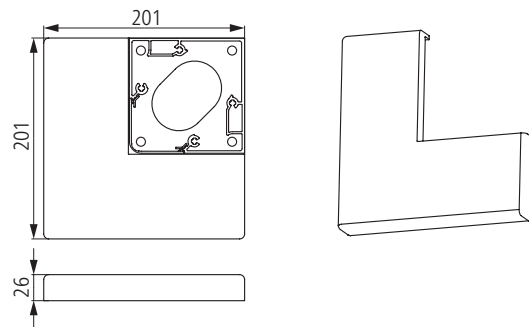


115 post

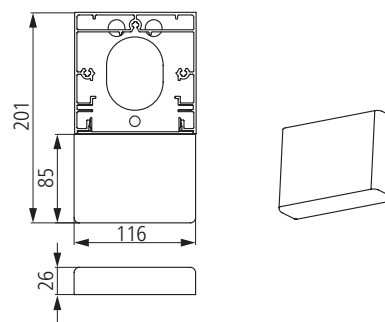
Cover cap on post plate for fixing to the foundation and for covering the attachment screws



Cover cap for post plate



Cover cap for post plate wall left/wall right



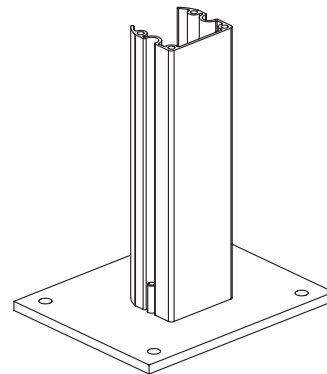
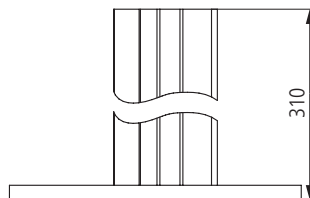
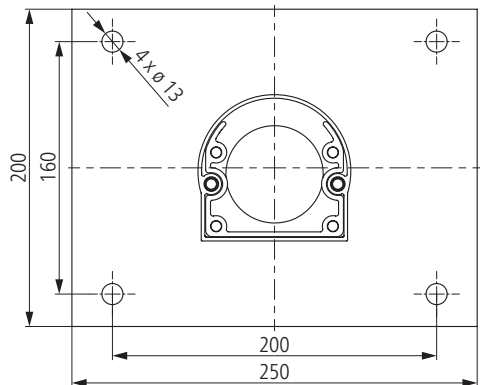
115 post

90 post

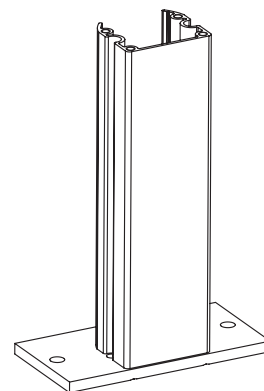
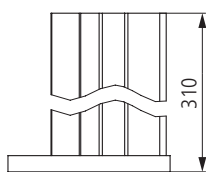
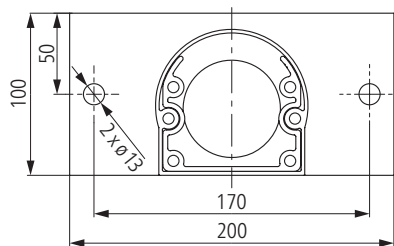
Terrazza Originale/Plus Posts

Aluminium base

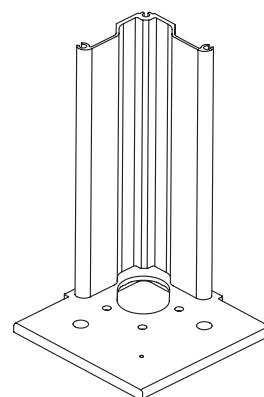
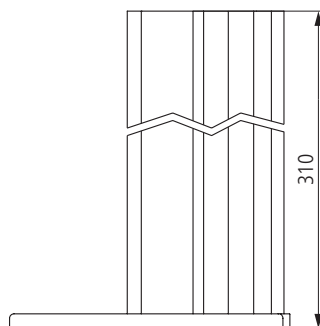
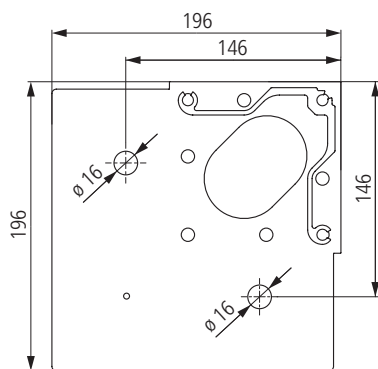
Aluminium base for fixing to the foundation



Small aluminium base



90 post

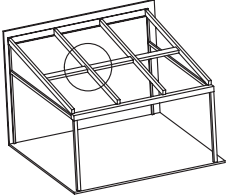


115 post

Terrazza originale/Plus Accessories

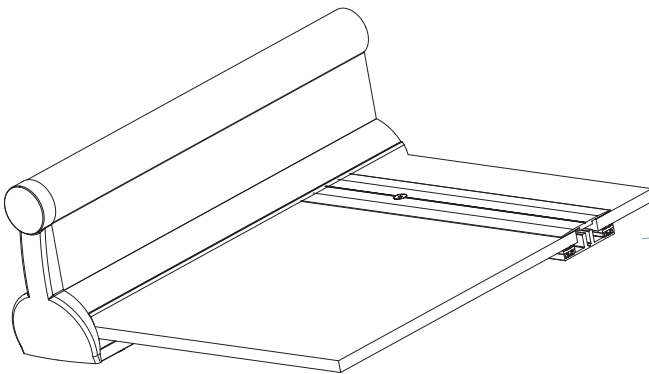
Transoms and roof vents

Transoms in the roof area

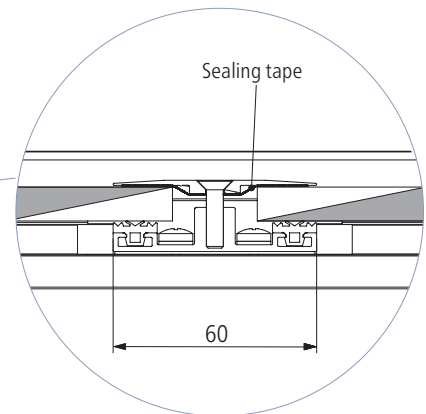


From a pane length of 3,000 mm, it is advisable to split the roof glazing by means of a rigid transom.

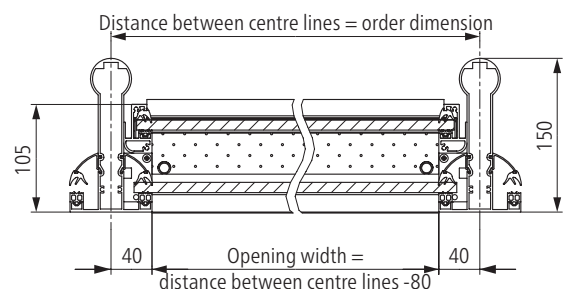
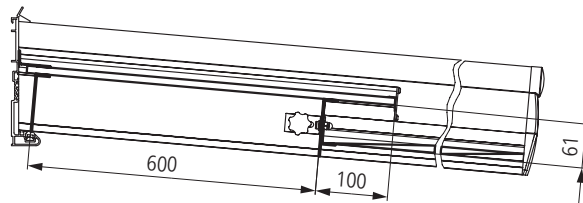
The transom in the roof also stiffens the construction, hence improving its structural stability. This is relevant, for example, when using vertical all-glass elements, such as glass doors or side parts.



Roof support with ready-mounted transom



WeiTop DL permanent roof vent



A clever solution: the two offset glass panels of the WeiTop DL permanent roof vent ensure permanent ventilation and hence an agreeable climate.

The benefits

- Transparent all-glass solution for an elegant look
- Always powder-coated in roof colour
- Pre-equipped for the specified roof covering thickness (10, 12 and 16 mm)
- Optional insect screen or winter faceplate for manual assembly

Terrazza originale/Plus Sun Protection

Vertical sun protection

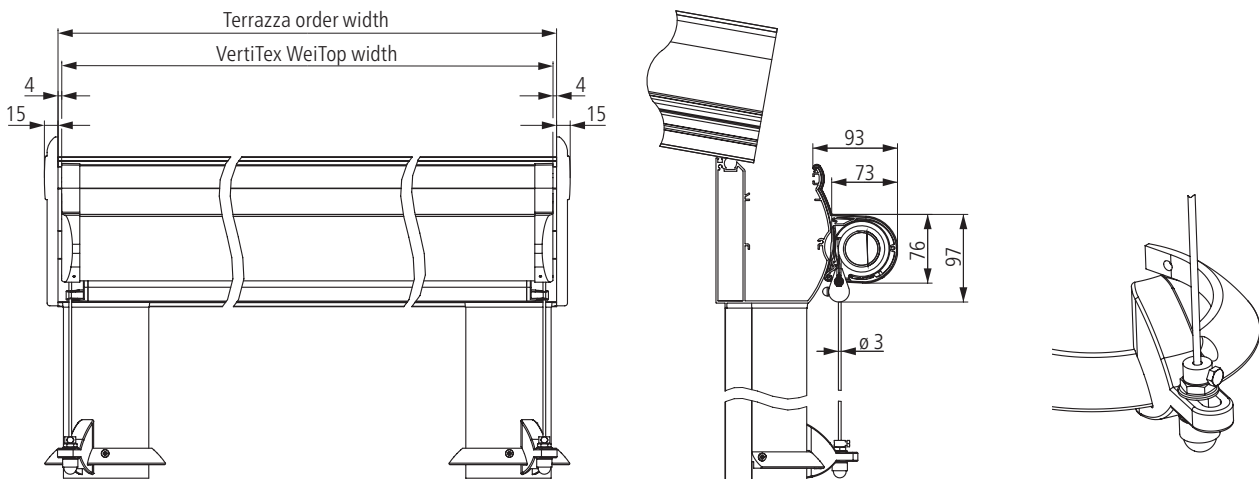
VertiTex II and VertiTex WeiTop



The weinor VertiTex WeiTop vertical sun protection offers perfect privacy and glare protection. We recommend the fabrics from the screens by weinor® collection. Due to the different fabric qualities, a suitable fabric can be selected according to the application

- Suitable for large areas (600 cm x 240 cm)
- VertiTex WeiTop for simple attachment into the Terrazza 160 guttering
- VertiTex II round with rope or rail guide, ideal for Terrazza with 220 guttering

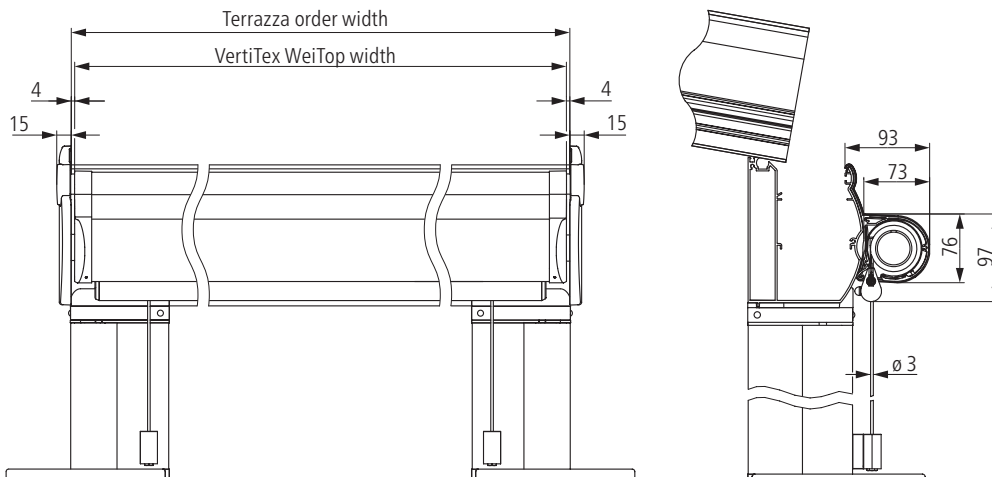
VertiTex WeiTop on Terrazza Originale with 160 guttering and 90 post



Fabric width = VertiTex WeiTop width - 104 mm ± 6 mm permissible tolerance

WeiTop rope holder on Terrazza 90 post

VertiTex WeiTop on Terrazza Originale with 160 guttering and 115 post



Fabric width = VertiTex WeiTop width - 104 mm ± 6 mm permissible tolerance

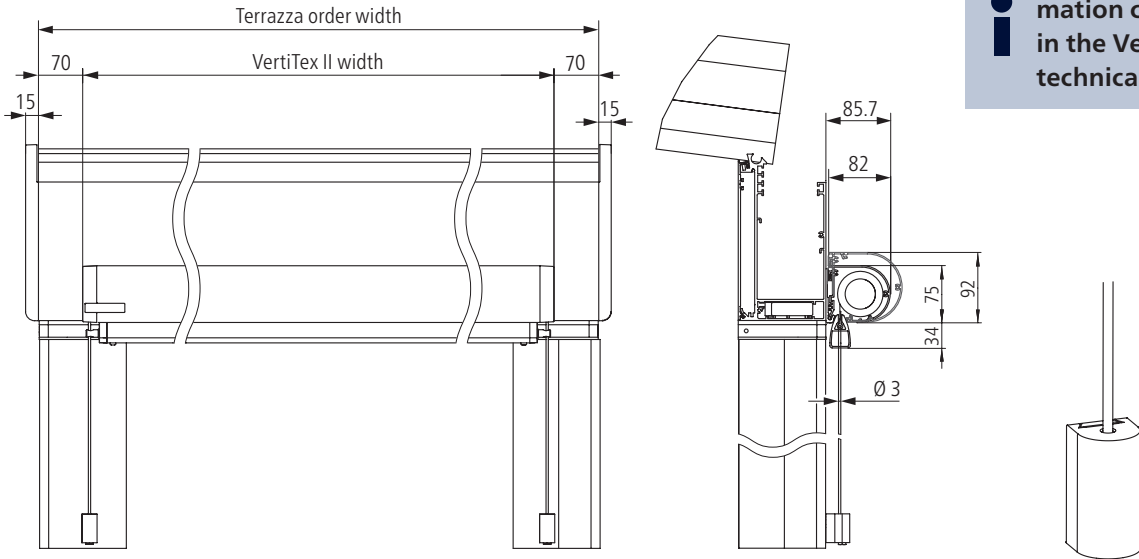
14 x 35 x 16 mm rope holder on Terrazza 115 post

Additional information can be found in the VertiTex vertical sun protection system chapter.

Terrazza Originale/Plus Sun Protection

Vertical sun protection

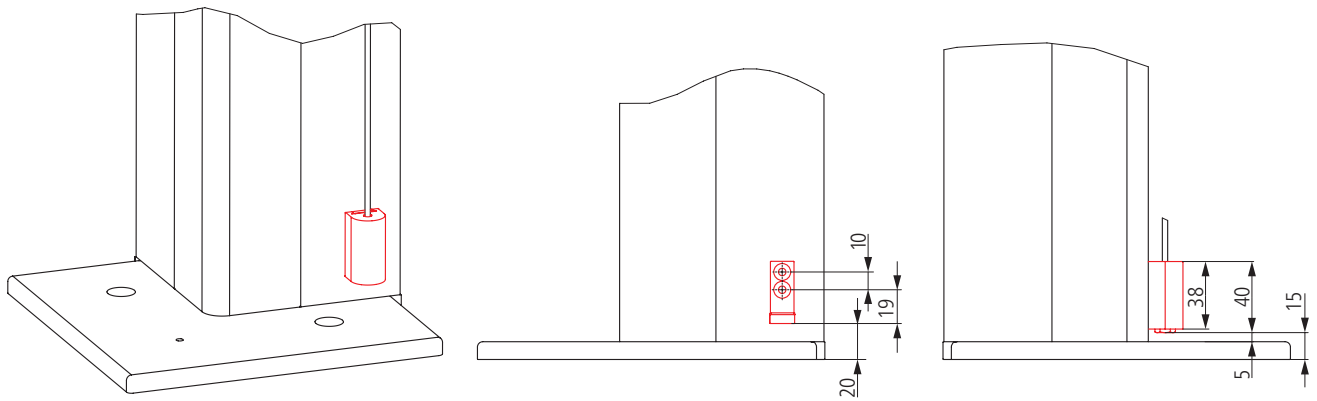
VertiTex II Rope on Terrazza Originale with 220 guttering and 115 post



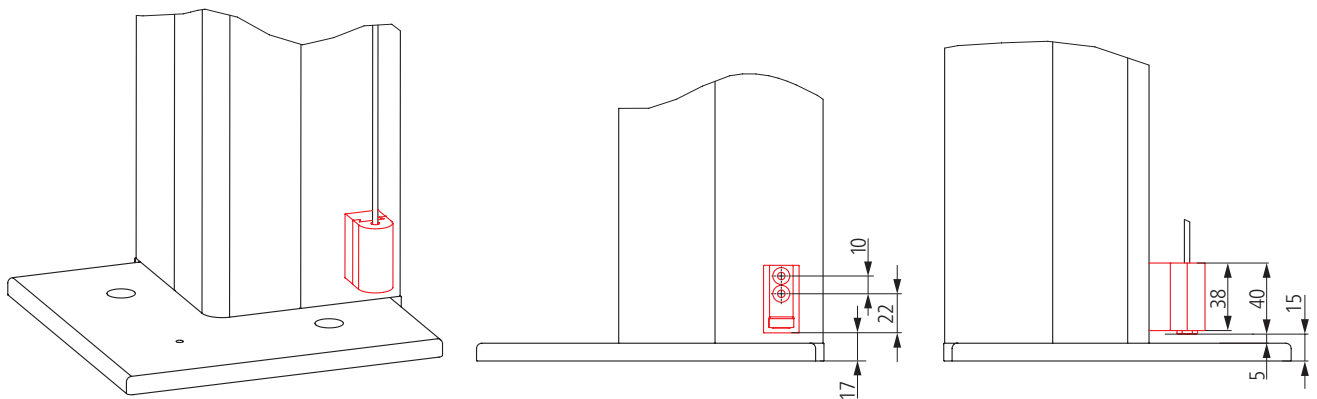
Additional information can be found in the VertiTex II technical folder.

Fabric width = VertiTex II width - 80 mm ± 6 mm permissible tolerance

14 x 35 x 16 mm rope holder on Terrazza 115 post



115 post with 14 x 35 x 16 mm rope holder (is used with the "indented rop" version)



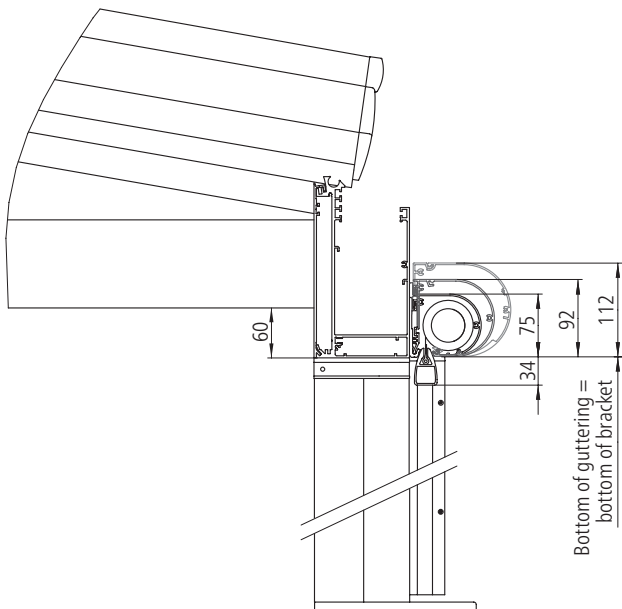
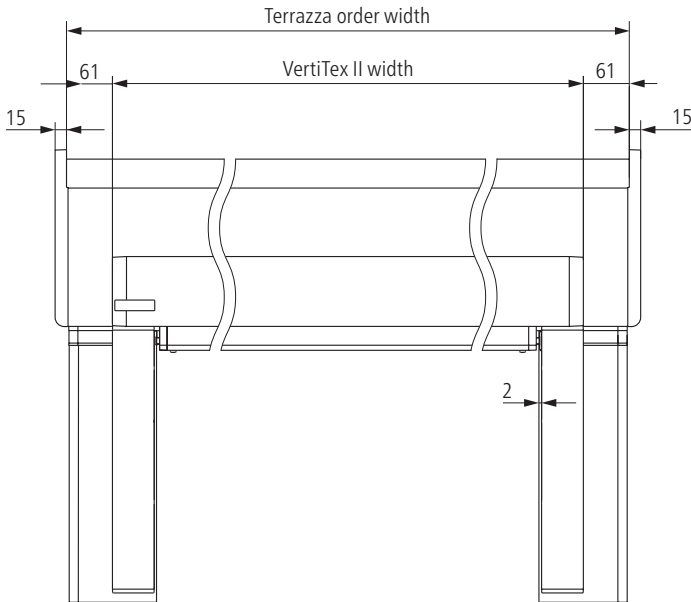
115 post with 20 x 38 x 28 mm rope holder (is used with the "outside rope guide" version)

Caution: Only possible with rope guide next to the fabric, e.g. in the centre with multi-section units

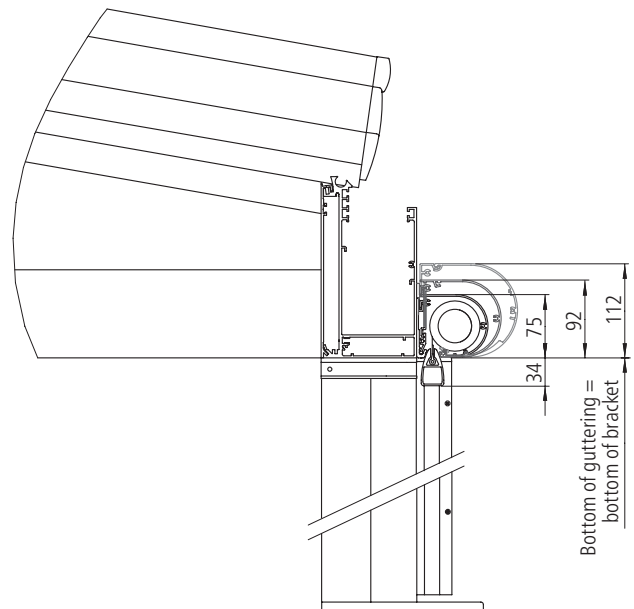
Terrazza Originale/Plus Sun Protection

Vertical sun protection

VertiTex II Rail/Zip 75/92/112 on Terrazza Originale with 220 guttering and 115 post



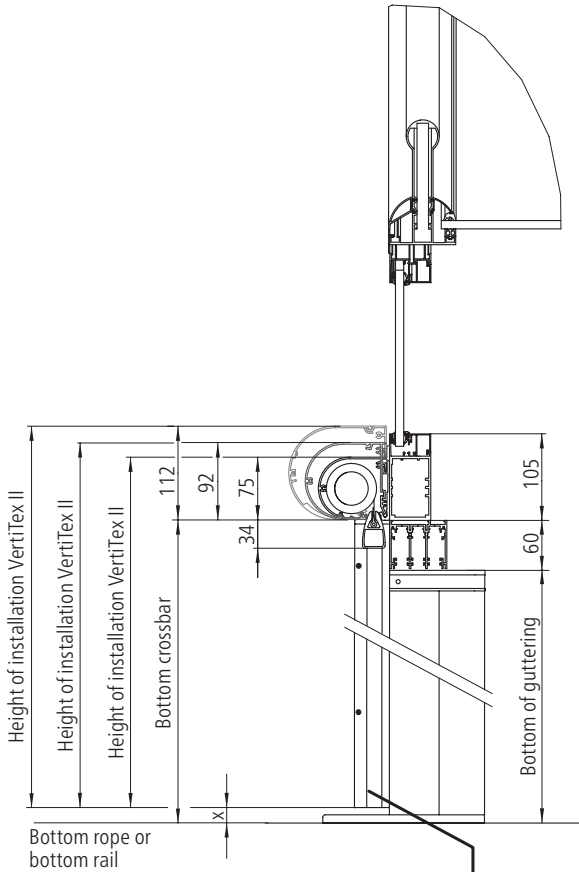
220 guttering with side top lateral locking bar



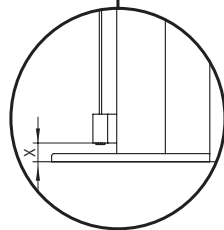
220 guttering with side bottom lateral locking bar

Vertical sun protection

VertiTex II Rope/Rail/Zip 75/92/112 on Terrazza Originale with 220 guttering and 115 post

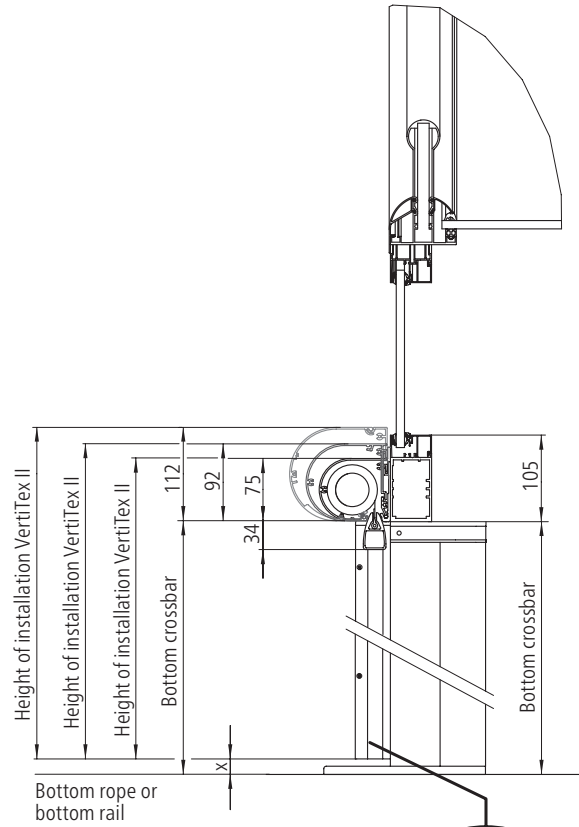


Measure	X
Postplate	- 15
Postplate large	25
with cover cap	- 31

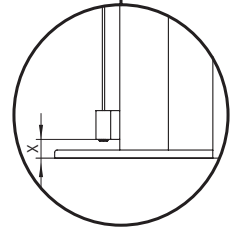


Option Rope
(only cassette 75/92)

220 guttering with side top lateral locking bar



Measure	X
Postplate	- 15
Postplate large	25
with cover cap	- 31

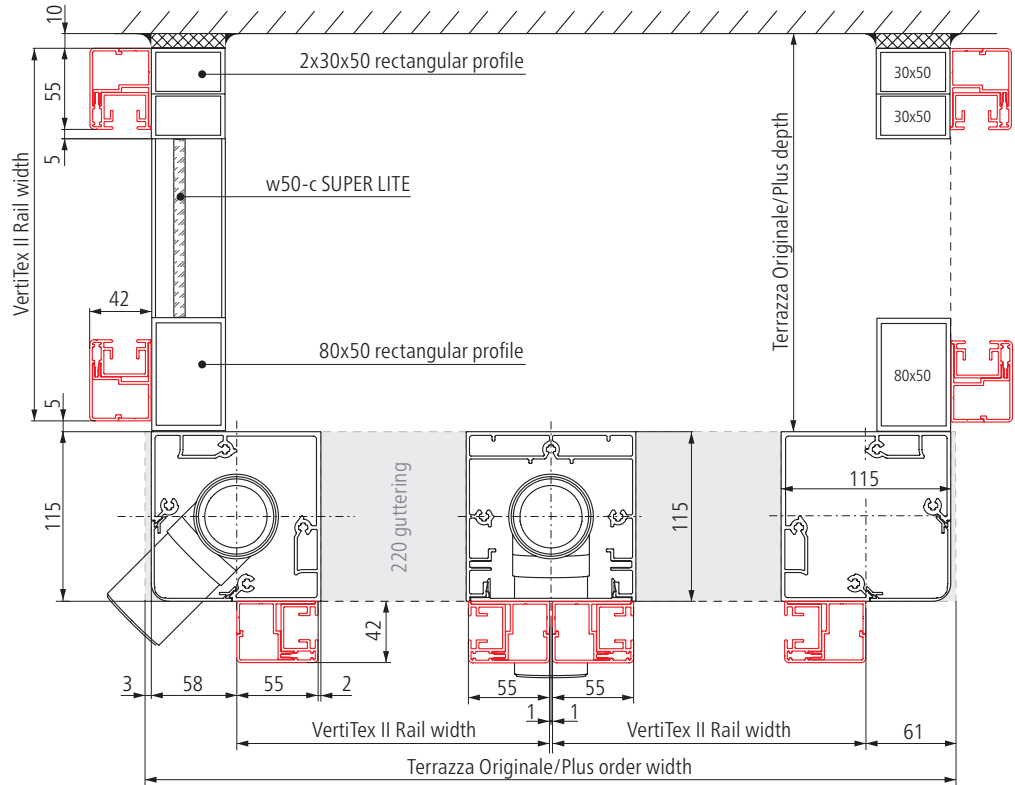


Option Rope
(only cassette 75/92)

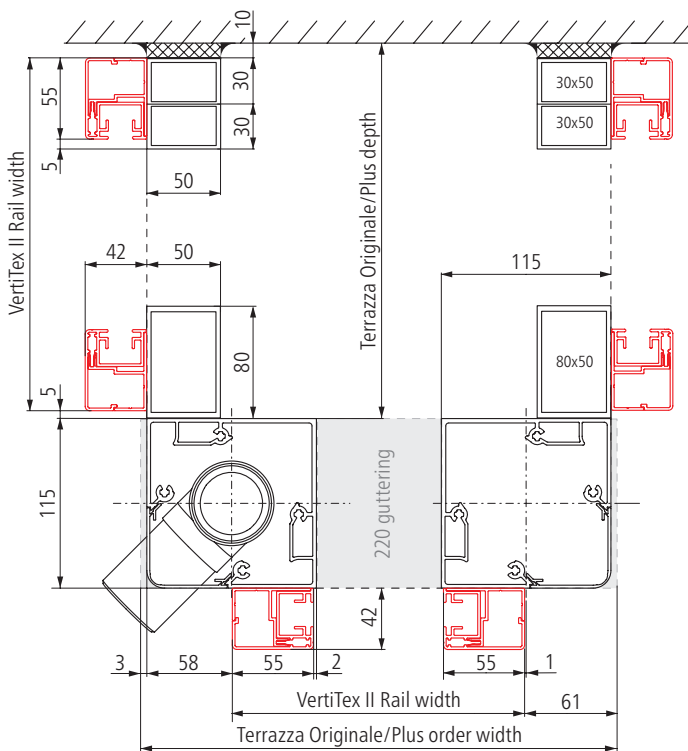
220 guttering with side bottom lateral locking bar

Vertical sun protection

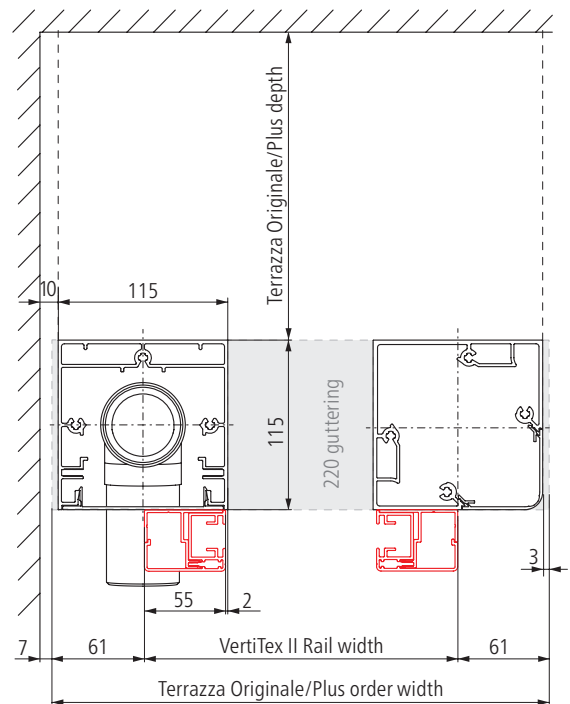
VertiTex II Rail/Zip with 220 guttering and 115 post



VertiTex II Rail/Zip all round, multi-section unit in front



VertiTex II Rail/Zip all round

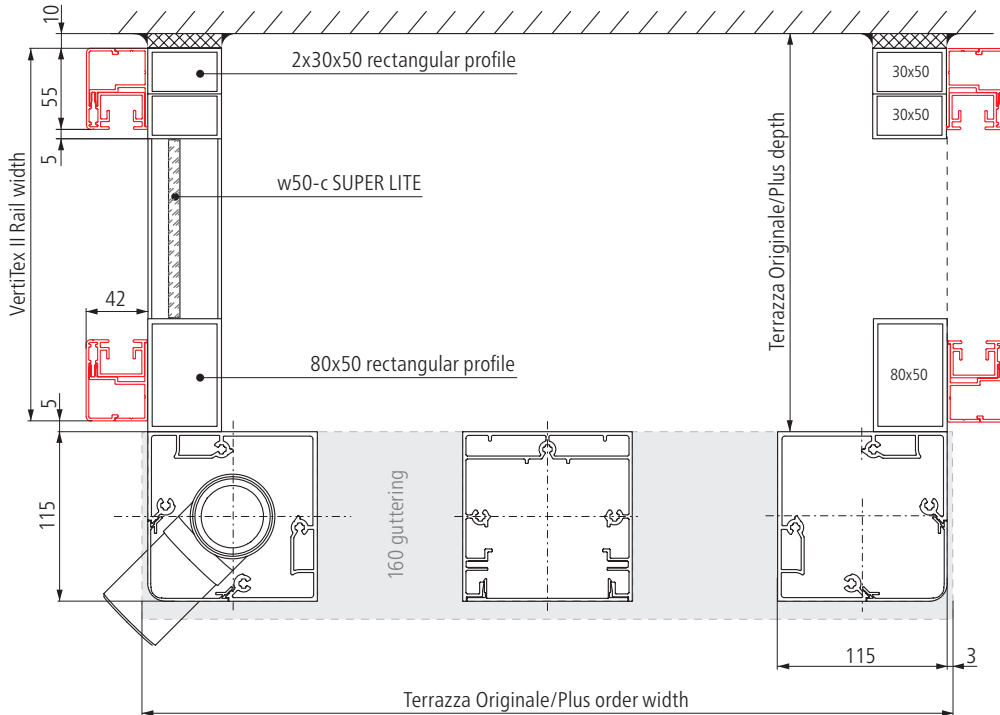


VertiTex II Rail/Zip in front with lateral wall
Note: the guide rails end over the drain pipe as standard (note the PA dimensions)

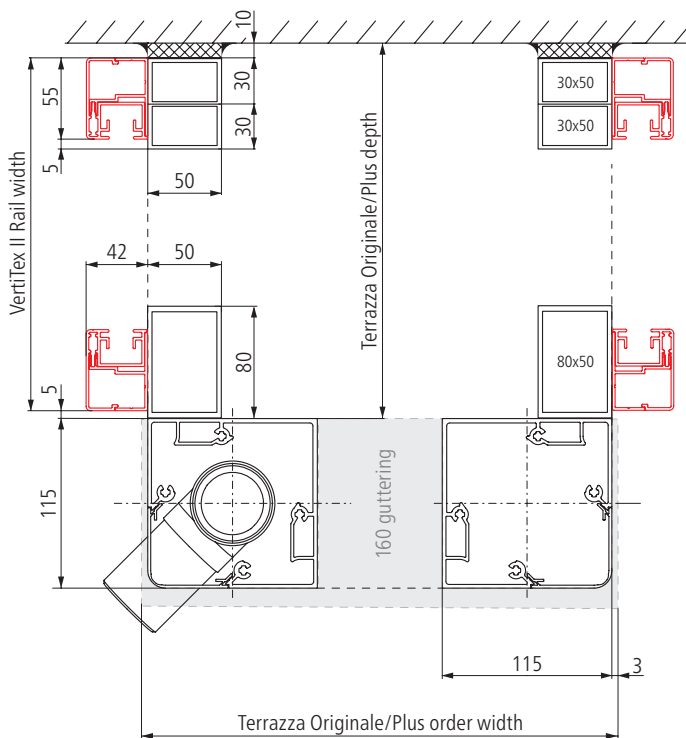
Terrazza Originale/Plus Sun Protection

Vertical sun protection

VertiTex II Rail/Zip with 220 guttering and 115 post



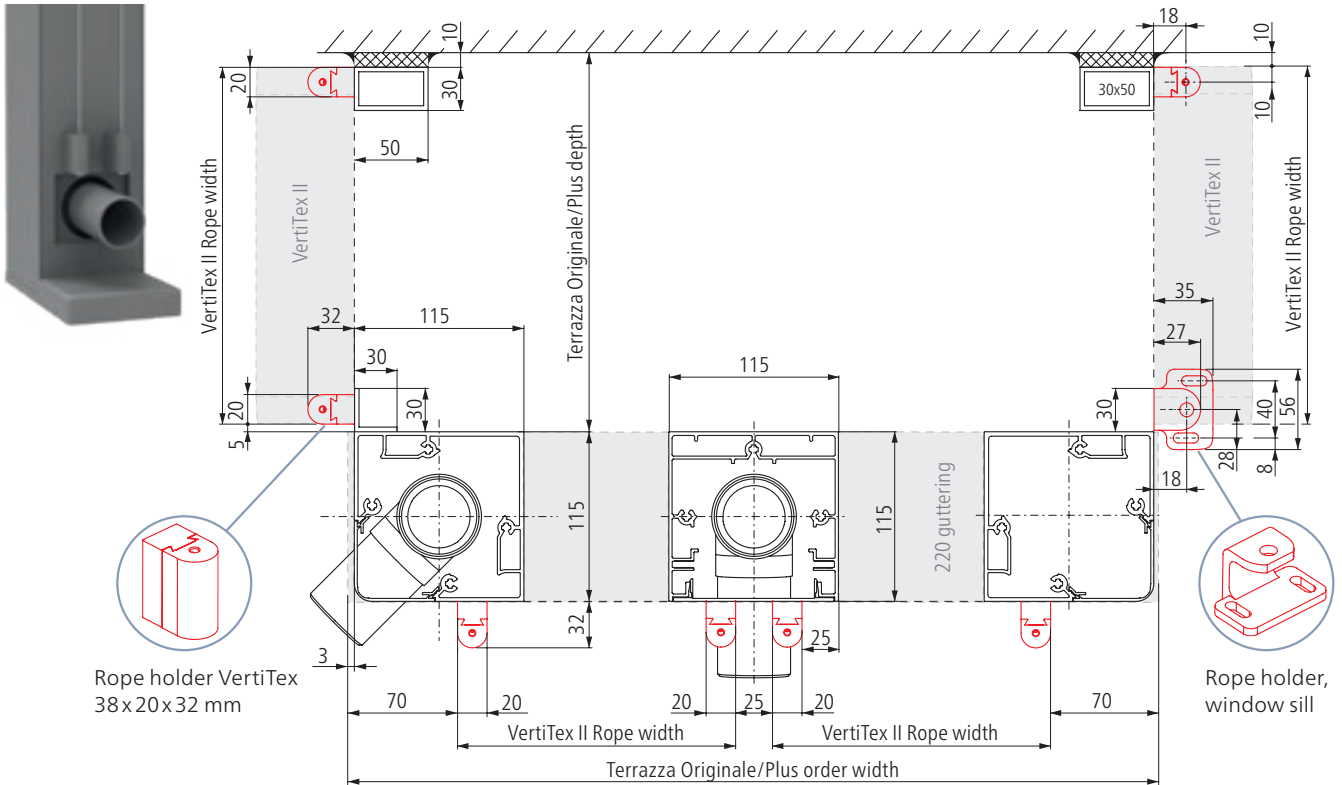
VertiTex II Rail/Zip lateral



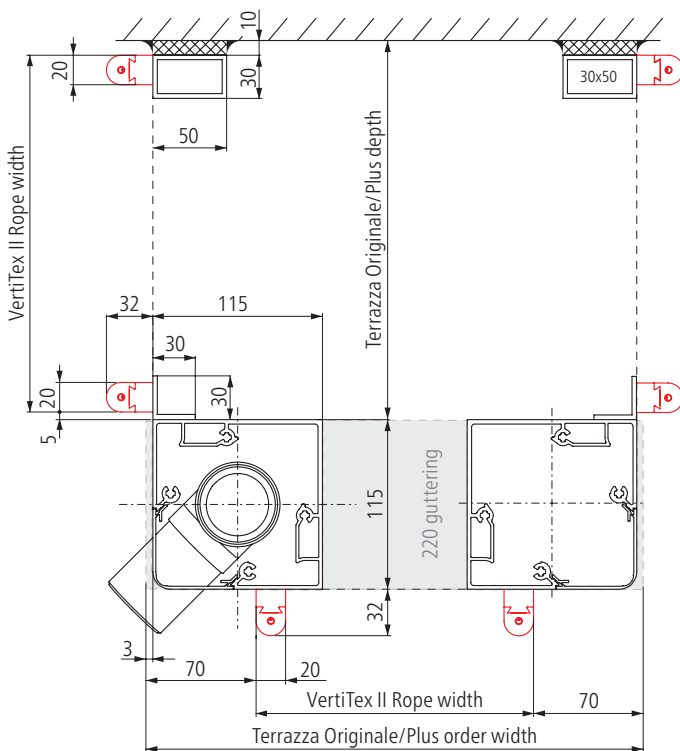
VertiTex II Rail/Zip lateral

Vertical sun protection

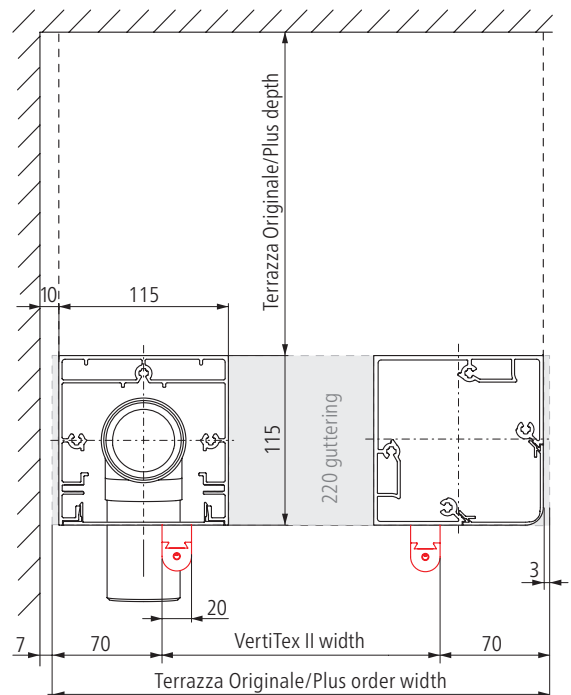
VertiTex II Rope with 220 guttering and 115 post



VertiTex II Rope all round, multi-section unit in front



VertiTex II Rope all round

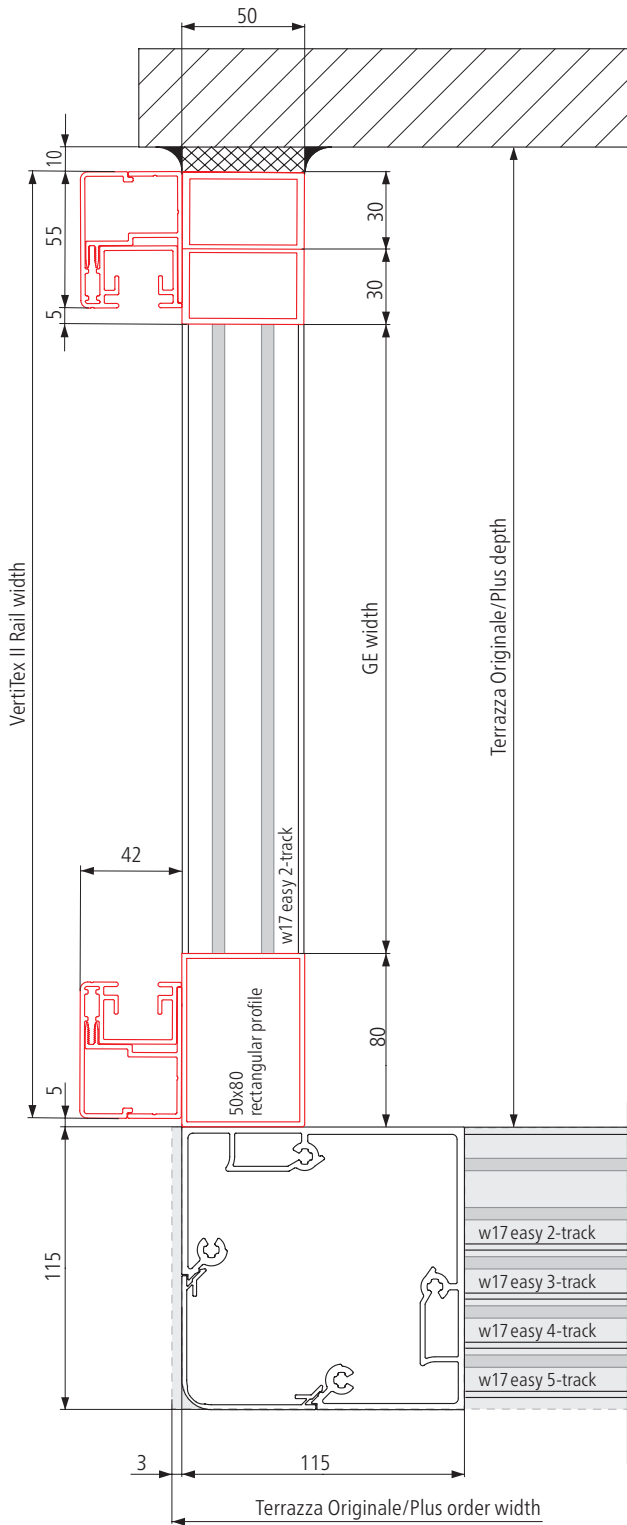


VertiTex II Rope in front with lateral wall
Note: the guide rails end over the drain pipe as standard (note the PA dimensions)

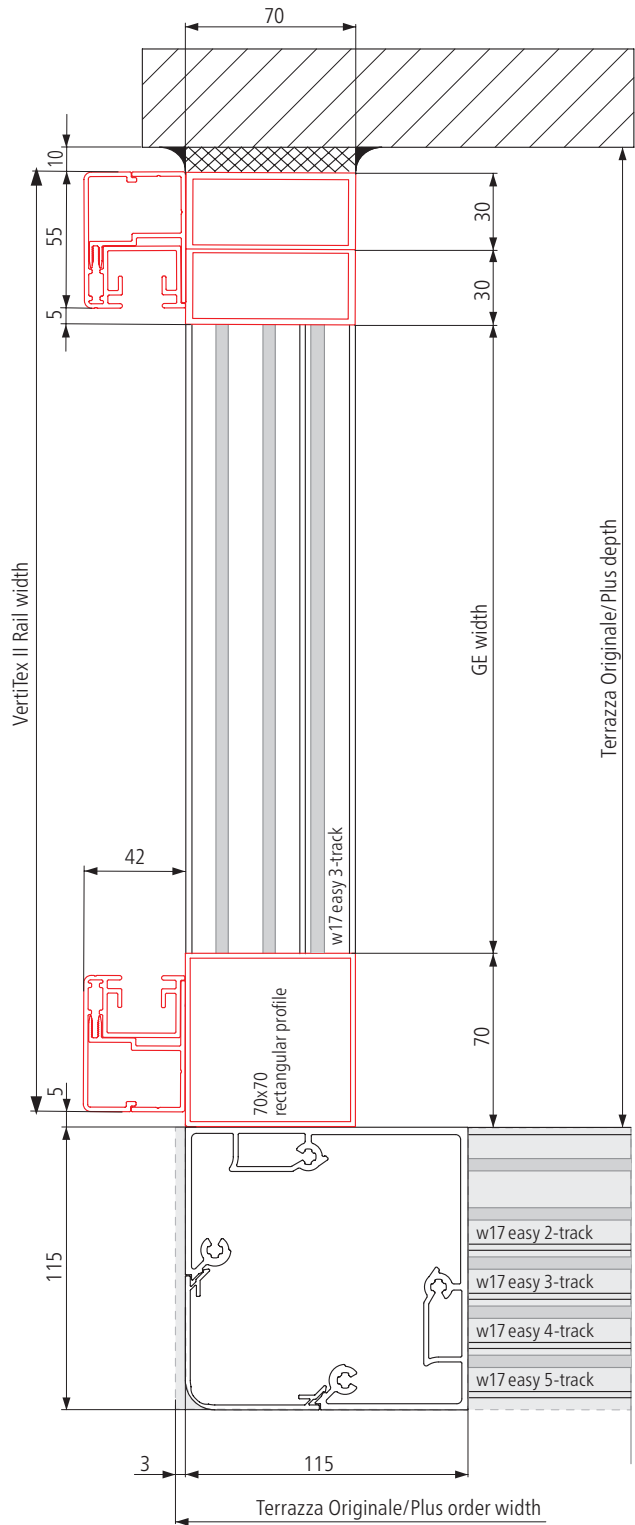
Terrazza Originale/Plus Sun Protection

Vertical sun protection with glazing elements

VertiTex II lateral with w17 easy 2-track

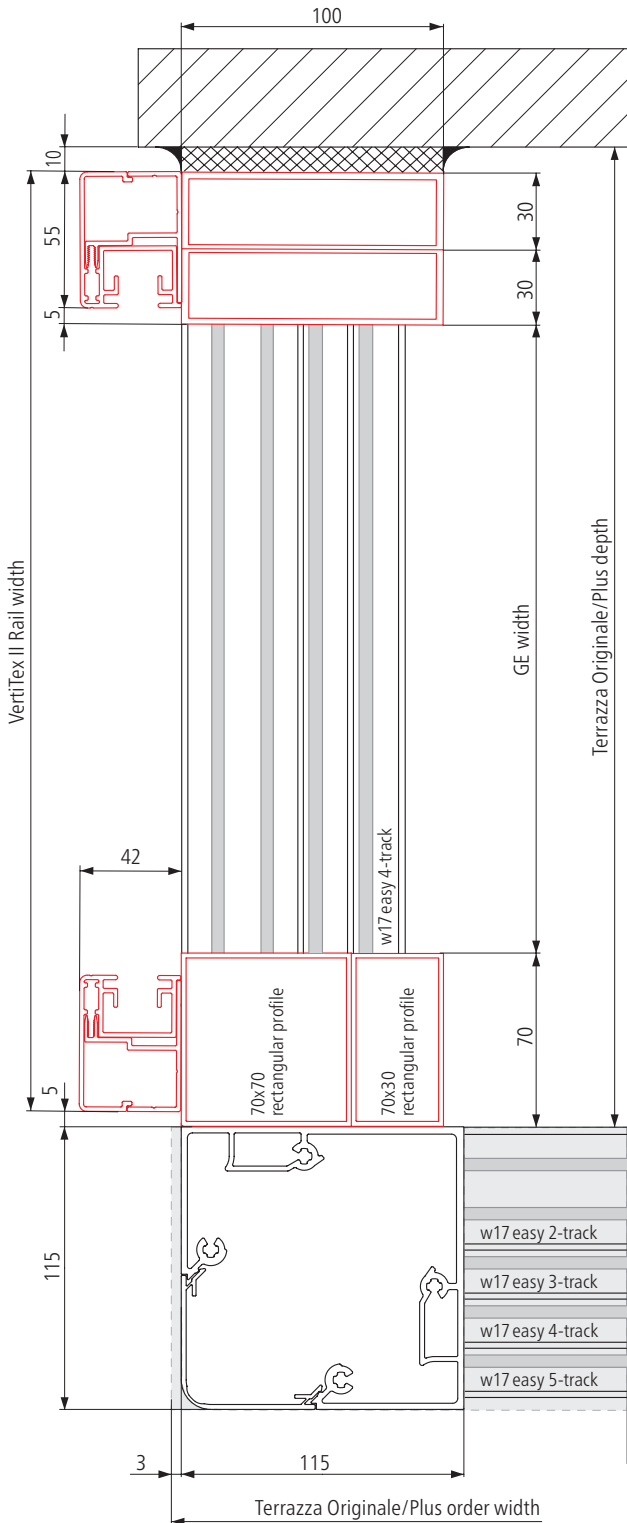


VertiTex II lateral with w17 easy 3-track

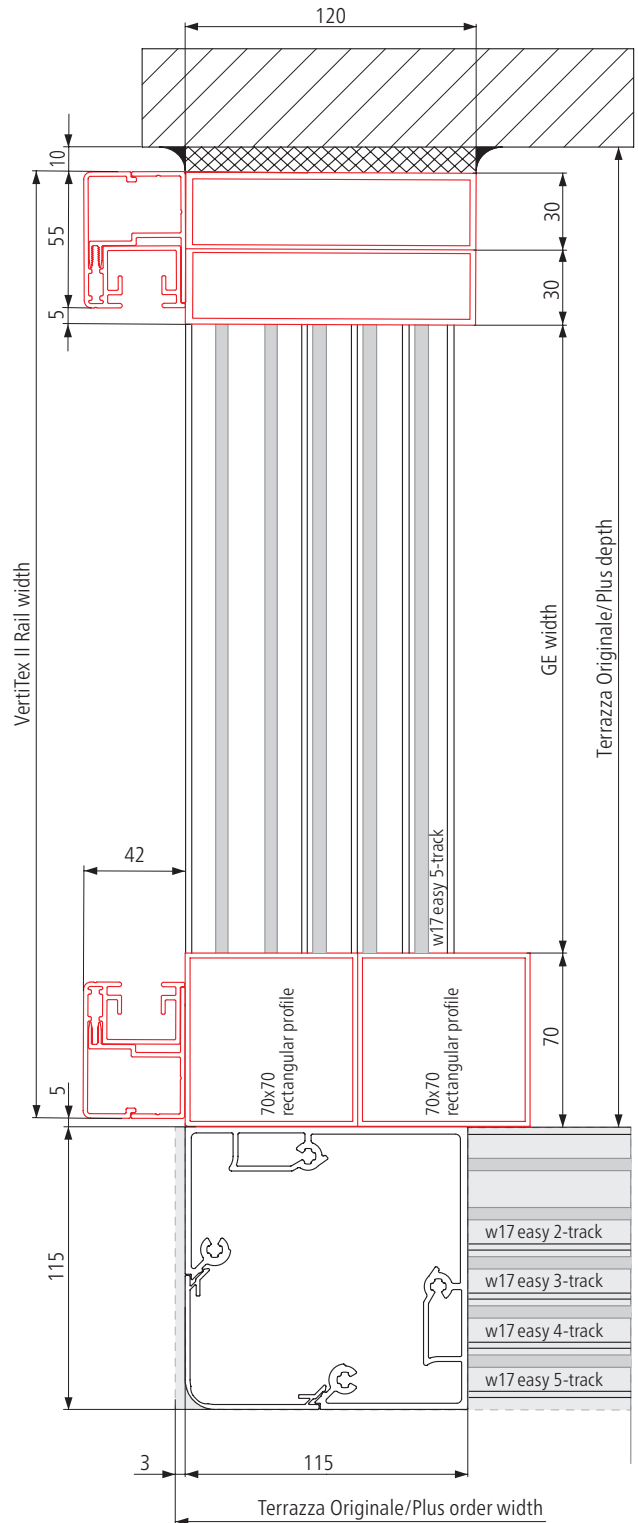


Vertical sun protection with glazing elements

VertiTex II lateral with w17 easy 4-track



VertiTex II lateral with w17 easy 5-track



Terrazza Originale/Plus Sun Protection

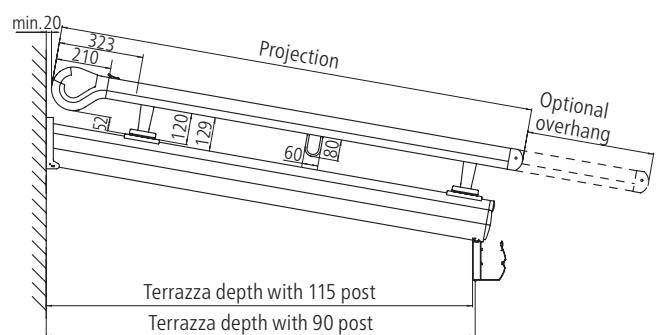
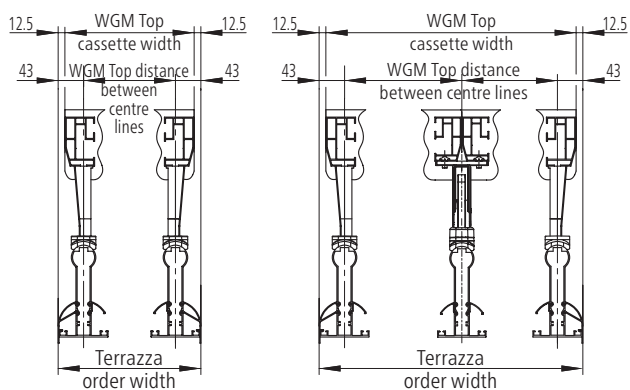
Overlay sun protection

WGM Top – over roof heat protection



Over roof conservatory awnings from weinor protect the Terrazza patio roof or the Glasoase® from excessive heat build-up.

WGM Top on Terrazza



Installation on weinor Terrazza



Support bracket mounting plate



For weinor Terrazza L 150 roof support

For weinor Terrazza S 110 roof support

Adaptor plates

A support bracket preparation is optionally available for conservatory awnings – perfectly matched, as from one system.

Installation on a Terrazza patio roof

Determining the projection of the conservatory awning

Depth of Terrazza (mm)	1000	1500	2000	2500	3000	3500	4000	4500	5000	5500	6000
Roof pitch 5°	1108	1610	2112	2614	3116	3618	4120	4621	5123	5625	6127
Roof pitch 15°	1134	1652	2170	2687	3205	3723	4240	4758	5275	5793	6311

Terrazza Originale/Plus Sun Protection

Underlay sun protection

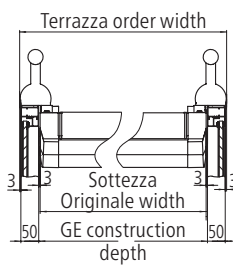
Sottezza Originale – undermounted glare protection



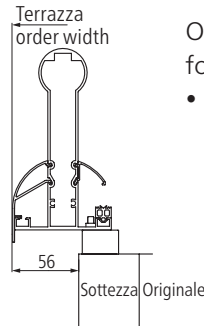
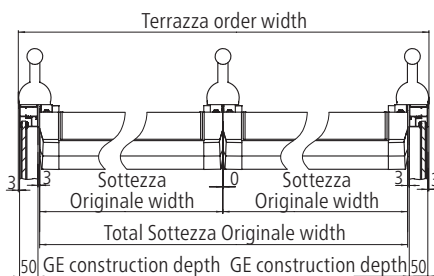
The Sottezza Originale is the ideal undermounted sun protection for the weinor Terrazza patio roof and for the Glasoase®. On sunny days, it offers pleasant glare and sun protection.

Sottezza Originale with glazing elements on a free-standing Terrazza

1-panel unit



2-panel unit or two 1-panel units

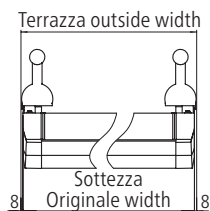


Our recommendation and also ideal for retrofitting:

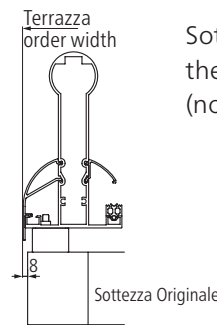
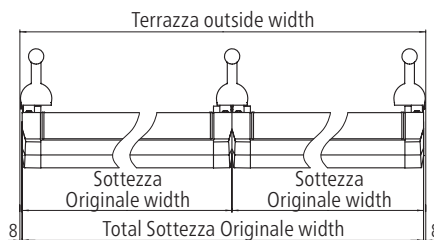
- Sottezza Originale indented 50 mm on each side
- Indented is standard for orders via Quick & Easy

Sottezza Originale without glazing elements on a free-standing Terrazza

1-panel unit

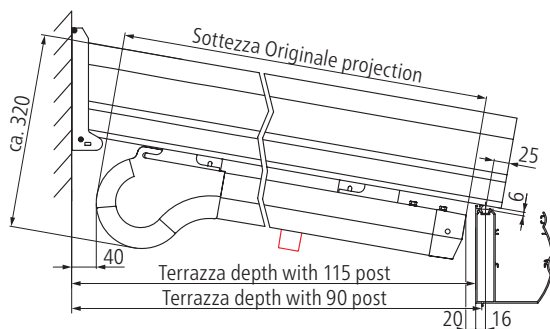


2-panel unit or two 1-panel units



Sottezza Originale flush outside on the roof support (not available via e-shop)

Side view of the Sottezza Originale



The sun protection runs below the roof support. Combined with LED light bars or LED Design, the Sottezza Originale must be mounted using suitable spacers at a spacing of 30 mm to the roof supports.

Determining the projection of the Sottezza Originale (applies for Terrazza)

Depth of Terrazza (mm)	1000	1500	2000	2500	3000	3500	4000	4500	5000	5500	6000
Roof pitch 5° (DR 160)	927	1429	1931	2433	2935	3437	3938	4440	4942	5444	5946
Roof pitch 15° (DR 160)	941	1459	1976	2494	3011	3529	4047	4564	5082	5600	6117
Roof pitch 5° (DR 220)	937	1439	1941	2443	2945	3446	3948	4450	4952	5454	5956
Roof pitch 15° (DR 220)	951	1469	1986	2504	3022	3539	4057	4575	5092	5610	6128

Terrazza originale/Plus Glasoase®

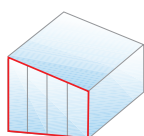
Glazing elements



The weinor Glasoase® elegant conservatory cooling system comprises a Terrazza patio roof and flexible or fixed, all-glass elements. All system components are available from weinor. This creates a host of combination options. The most diverse glazing elements offer protection where it is required, and allow the Glasoase® to be opened whenever desired.

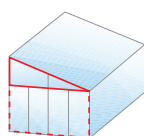


Fixed-glazing side elements
SUPER LITE w50-c



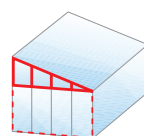
SUPER LITE w50-c side element

- Maximum transparency
- Adds fixed glazing to the Glasoase® design
- Very attractively priced
- All-glass fixed glazing under the side Terrazza roof support



LITE w50-c side element

- Highly transparent
- Attractively priced
- Fixed glazing below the Terrazza side patio roof support (trapezium), can be combined with w17 easy

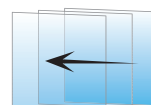


CLASSIC side element w50-c

- Extremely robust and stable
- Load-bearing
- Very good value for money
- Fixed glazing below the Terrazza side patio roof support (trapezium with vertical staves), can be combined with w17 easy

weinor all-glass walls

Alongside an all-round view, weinor all-glass walls provide reliable protection against the wind and driving rain. Available as fixed or sliding models depending on your preferences and needs. All systems are basically suitable for patio roofs, loggias and balconies.



Full glass sliding door w17 easy

- Opens sideways
- Actuator for easy closing
- Requires several guide rails
- Standing construction

weinor Glasoase® Benefits

Frameless all-glass elements allow the weinor patio roof to be expanded into the Glasoase®. This creates transparent weather protection with an unspoiled panoramic view to prolong the patio season. All weinor system components fit together perfectly and can be retro-fitted.



Flexible, vertical all-glass elements

enable, depending on the version, partial or complete opening of the Glasoase® – to suit individual requirements



Fixed glazing

For complete sides or sideways trapezium glazing, can be combined with flexible all-glass elements



Suitable sun protection

Glare, heat and privacy protection with sun protection solutions as required



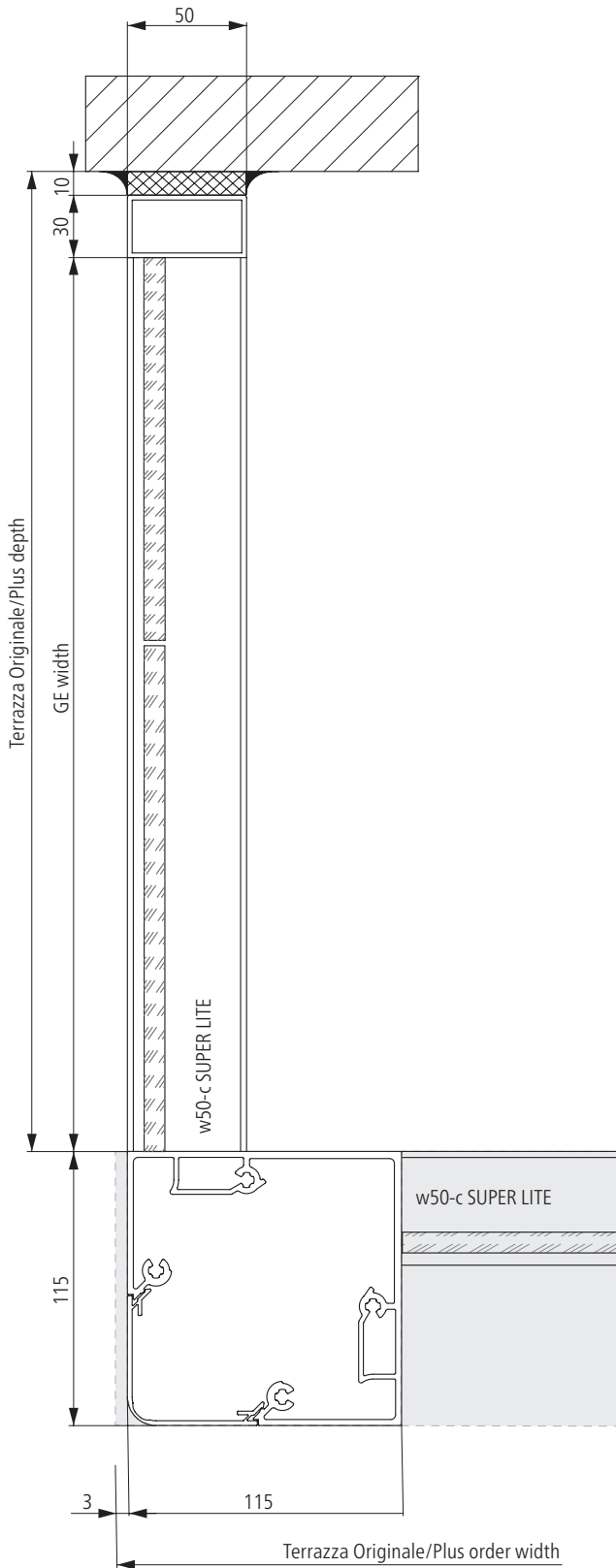
Expandable system

Can be retro-fitted with other accessories even after many years, thanks to the modular range:

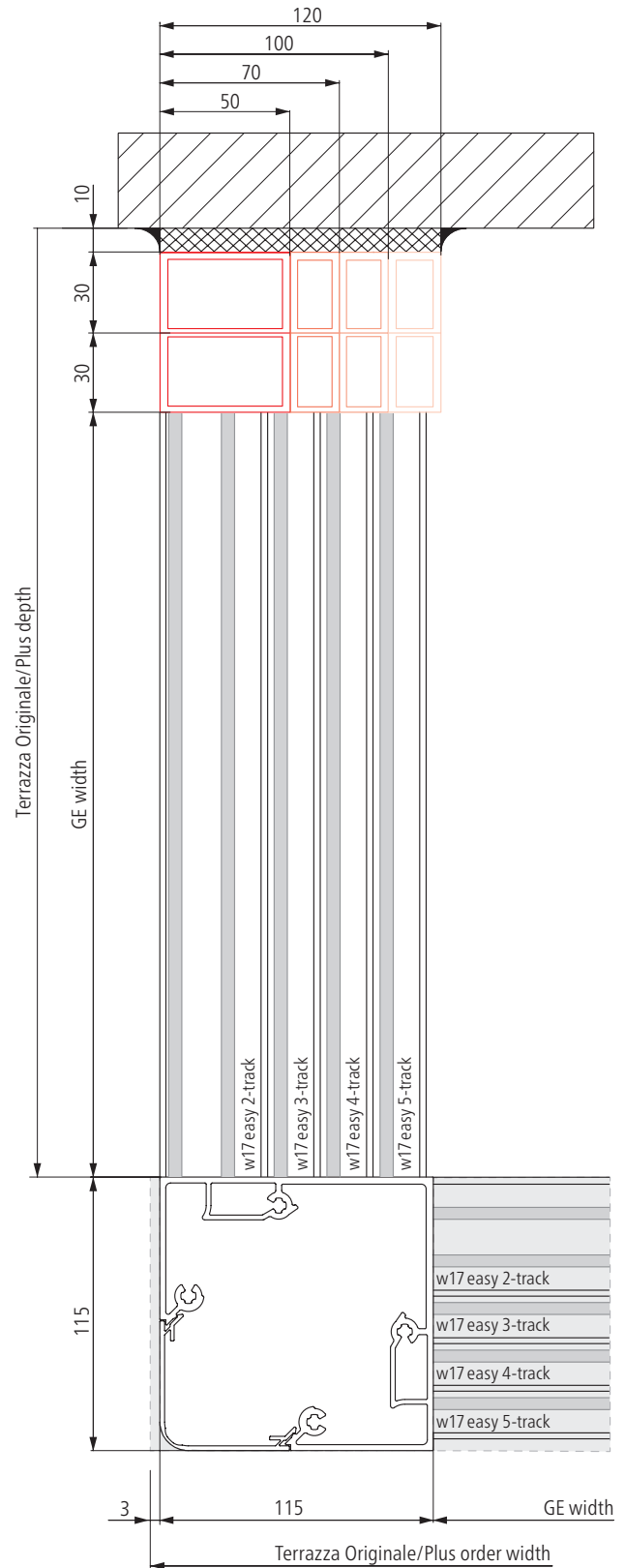
- Patio lighting
- Tempura
- Roof vent
- BiConnect remote control
- Roof or vertical sun protection

w50-c side element SUPER LITE and w17 easy

On one side at the front w50-c SUPER LITE



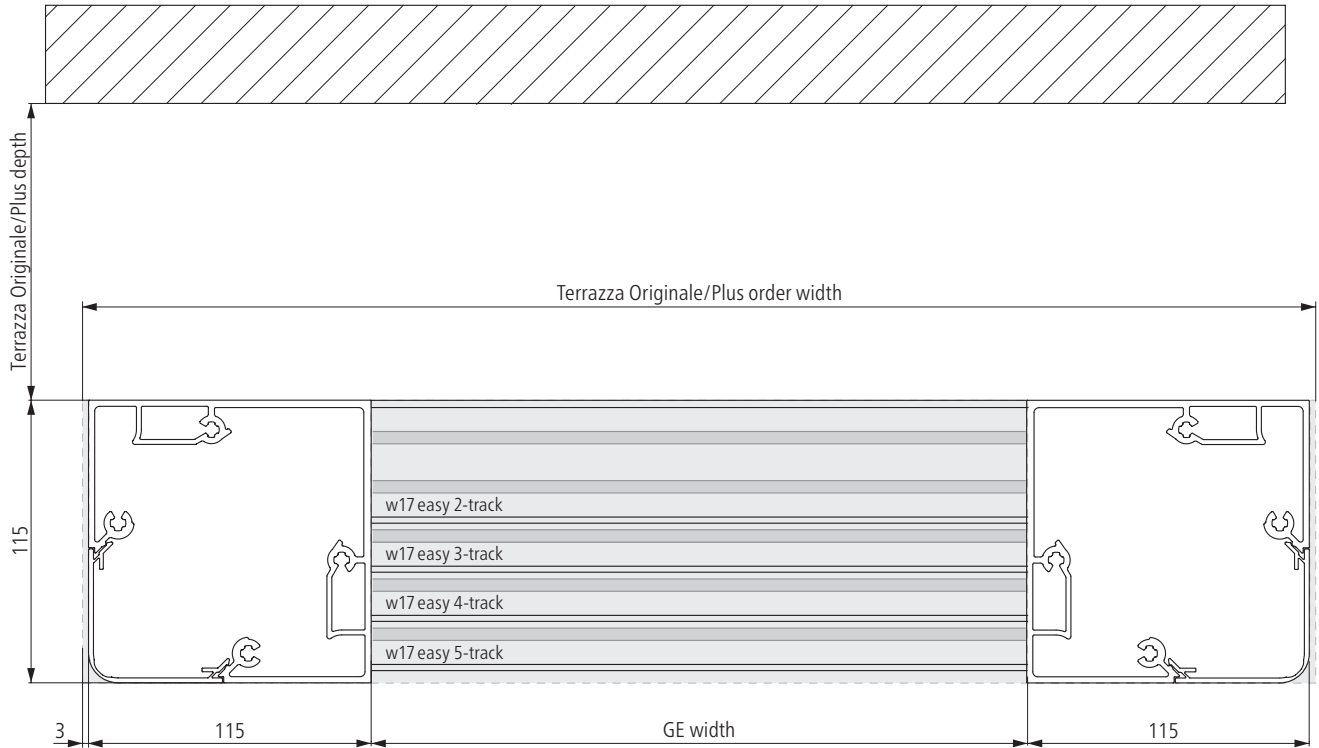
On one side at the front w17 easy 2-5-track



Terrazza Originale/Plus Glasoase®

w17 easy

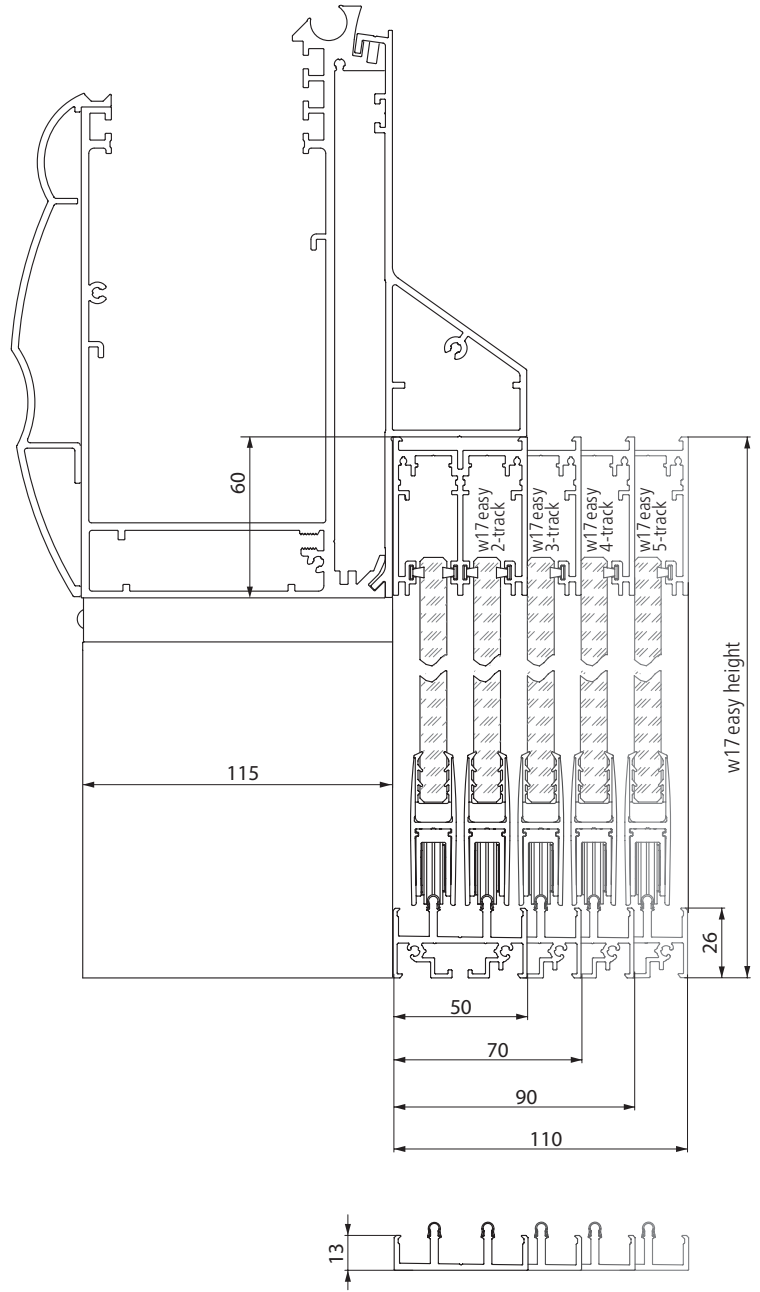
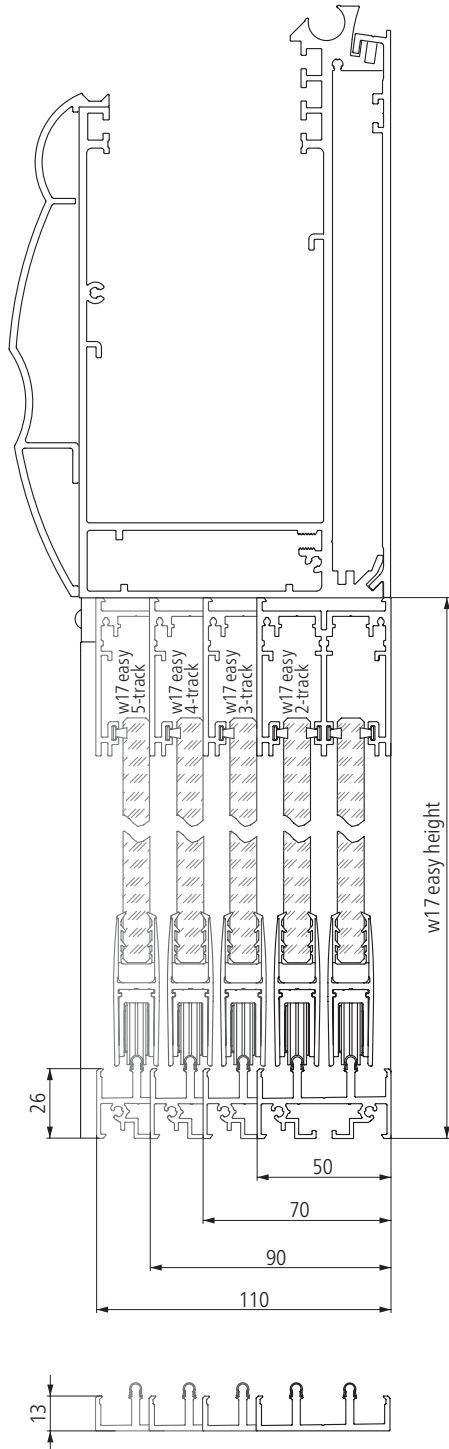
At the front between posts, 2-5-track



220 guttering with w17 easy

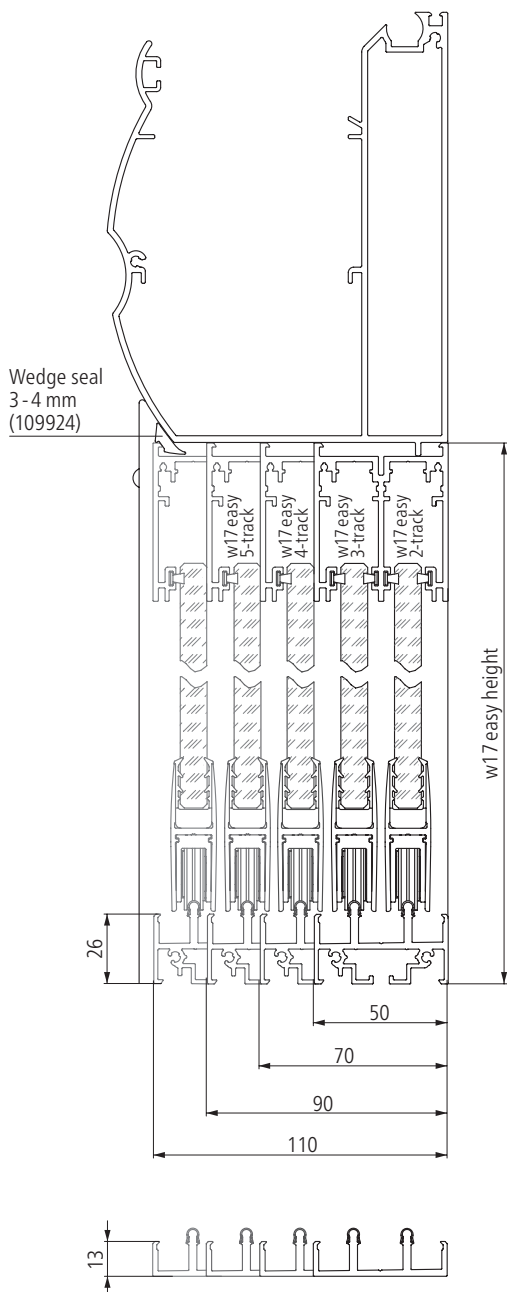
At the front between posts, 2 to 5-track

At the front behind posts, 2 to 5-track



160 guttering with w17 easy

At the front between posts, 2 to 5-track



At the front behind posts, 2 to 5-track

