

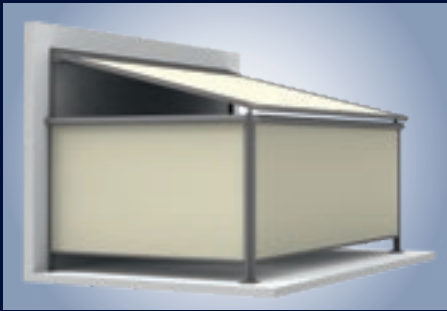


Pergola awning and vertical awning

# Plaza Viva with VertiTex II

The combination of the **Plaza Viva** pergola and **VertiTex II** vertical awning gives users clear added value. As it provides additional glare, privacy, wind and sun protection – from the front and sides. Plaza Viva and VertiTex II also visually complement each other perfectly. The vertical awning's small cassette sizes (92 and optionally 112 mm) perfectly match the pergola awning's slimline look. Two tried and tested weinor products are therefore combined to form a reliable complete system with a seamless appearance.

# Plaza Viva with VertiTex II Benefits



## Combination of two tried and tested weinor products

Plaza Viva is the Slimline design weather all-rounder which allows you enjoy your precious outdoor space for longer. VertiTex II shines as a universal vertical awning for elegant sun protection and privacy. The combination of these two tried and tested innovations creates **a complete system with a seamless appearance.**



## Installation made easy: simple assembly

As with all other weinor products, VertiTex II is attached to the Plaza Viva using a locking bar. This type of installation is **well-known, safe and easy to carry out.** The new 300 mm bracket was designed for perfect installation. It connects the locking bar to the VertiTex ideally and offers additional stability.



## Large widths possible, multi-section units too

The use of VertiTex II does not restrict the system width. The **maximum width of 6 metres** is also achieved with vertical awnings. Multi-section units are also possible in this combination, on request.



## Slimline, unobtrusive, seamless design

Plaza Viva and VertiTex II also visually complement each other perfectly. The vertical awning's **small cassette sizes** (92 and optionally 112 mm) perfectly match the pergola awning's slimline look. VertiTex II is available with the round or square cassette designs.



## Two versions each:

### VertiTex II: Zip and rail

*Rail:* can be used anywhere, with light gap

*Zip:* taut fabric, no light gap

### Plaza Viva: Stretch and OptiStretch (not shown)

*Stretch:* clamped on 2 sides, cost effective solution

*OptiStretch:* held captive on 4 sides, no light gap

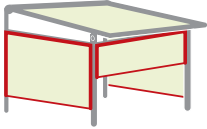

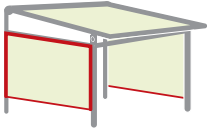

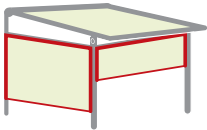
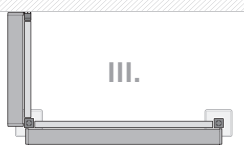
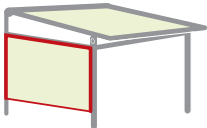

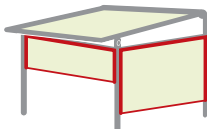
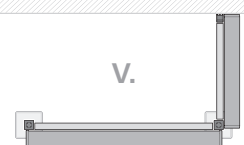
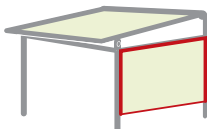
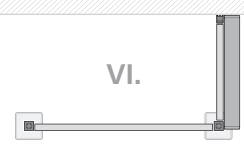
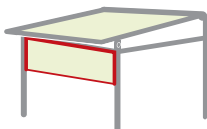

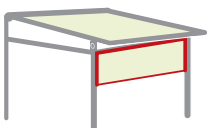

Plaza Viva and VertiTex II are wind resistant up to wind force 5.

VertiTex II Zip | VertiTex II rail

# Plaza Viva with VertiTex II Technology

## Plaza Viva with VertiTex II: numerous versions

When using VertiTex II on Plaza Viva, a wide range of mounting options are available. The table shows the different combination versions.

View	View from above	Description
 <p>Plaza Viva with VertiTex II all round</p>	 <p>I.</p>	1 Plaza Viva 3 VertiTex II 3 locking bars (left, front, right) 2 wall profiles including accessories
 <p>Plaza Viva with VertiTex II left and right<sup>1)</sup></p>	 <p>II.</p>	1 Plaza Viva 2 VertiTex II 3 locking bars (left, front, right) 2 wall profiles including accessories
 <p>Plaza Viva with VertiTex II front and left<sup>1)</sup></p>	 <p>III.</p>	1 Plaza Viva 2 VertiTex II 2 locking bars (left, front) 1 wall profile including accessories
 <p>Plaza Viva with VertiTex II left<sup>1)</sup></p>	 <p>IV.</p>	1 Plaza Viva 1 VertiTex II 2 locking bars (left, front) 1 wall profile including accessories
 <p>Plaza Viva with VertiTex II front and right<sup>1)</sup></p>	 <p>V.</p>	1 Plaza Viva 2 VertiTex II 2 locking bars (front, right) 1 wall profile including accessories
 <p>Plaza Viva with VertiTex II right<sup>1)</sup></p>	 <p>VI.</p>	1 Plaza Viva 1 VertiTex II 2 locking bars (front, right) 1 wall profile including accessories
 <p>Plaza Viva with VertiTex II front, locking bar / wall post right<sup>1)2)</sup></p>	 <p>VII.</p>	1 Plaza Viva 1 VertiTex II 2 locking bars (front, right) 1 wall profile including accessories
 <p>Plaza Viva with VertiTex II front, locking bar / wall post left<sup>1)2)</sup></p>	 <p>VIII.</p>	1 Plaza Viva 1 VertiTex II 2 locking bars (left, front) 1 wall profile including accessories

<sup>1)</sup> Viewed from the front <sup>2)</sup> The motor side with VertiTex II front and the side of the locking bar depend on the Plaza Viva motor side.

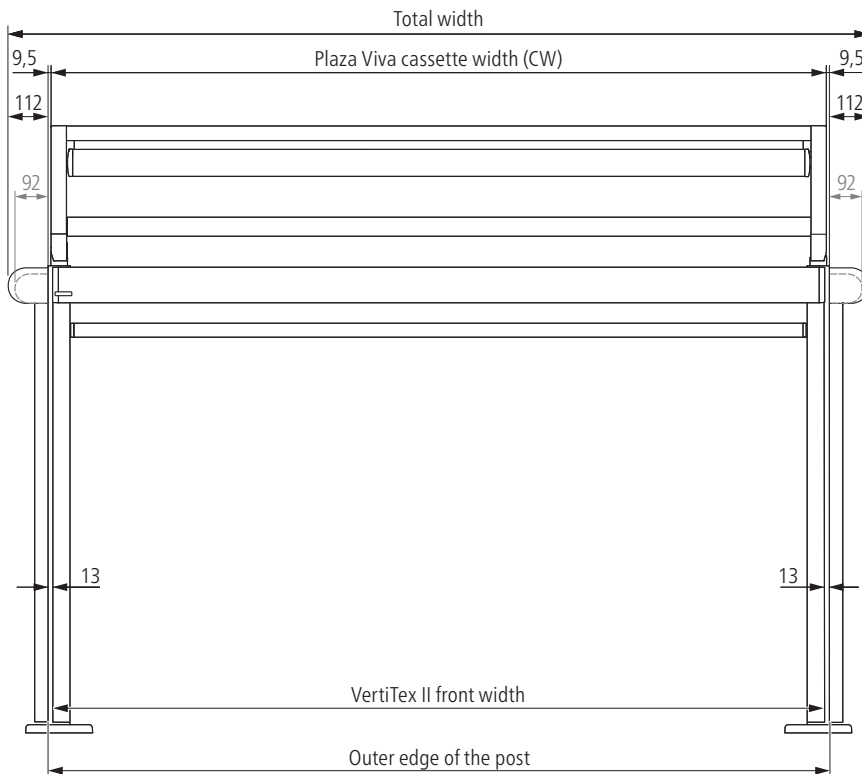
### Note:



One locking bar and one wall profile are required per laterally mounted VertiTex II. For versions with just a lateral VertiTex II (II, IV and VI), a front locking bar is required for safety reasons. With just a front VertiTex II, one lateral locking bar and one wall post are required on the same motor side of the Plaza Viva and VertiTex II for cable arrangement.

# Plaza Viva with VertiTex II Planning

## Views, cross-sections and dimensions



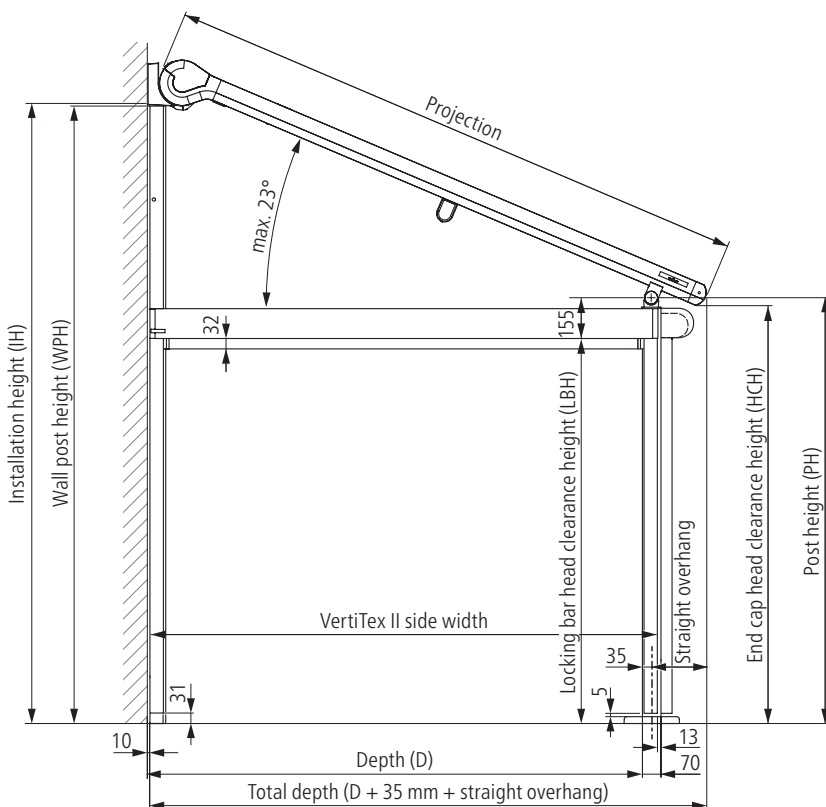
**Plaza Viva front view**

Example VertiTex II 112 round

(reduce the total width accordingly for VertiTex II 92)

**Total width = cassette width + 2 x 9.5 mm + 2 x VertiTex II cassette depth**

**VertiTex II front width = outer edge of the post – (2 x 13 mm) = Plaza Viva cassette width (CW) – 7 mm**



**Plaza Viva side view**

Example VertiTex II 112 round

**Total depth = depth (D) + 35 mm + straight overhang**

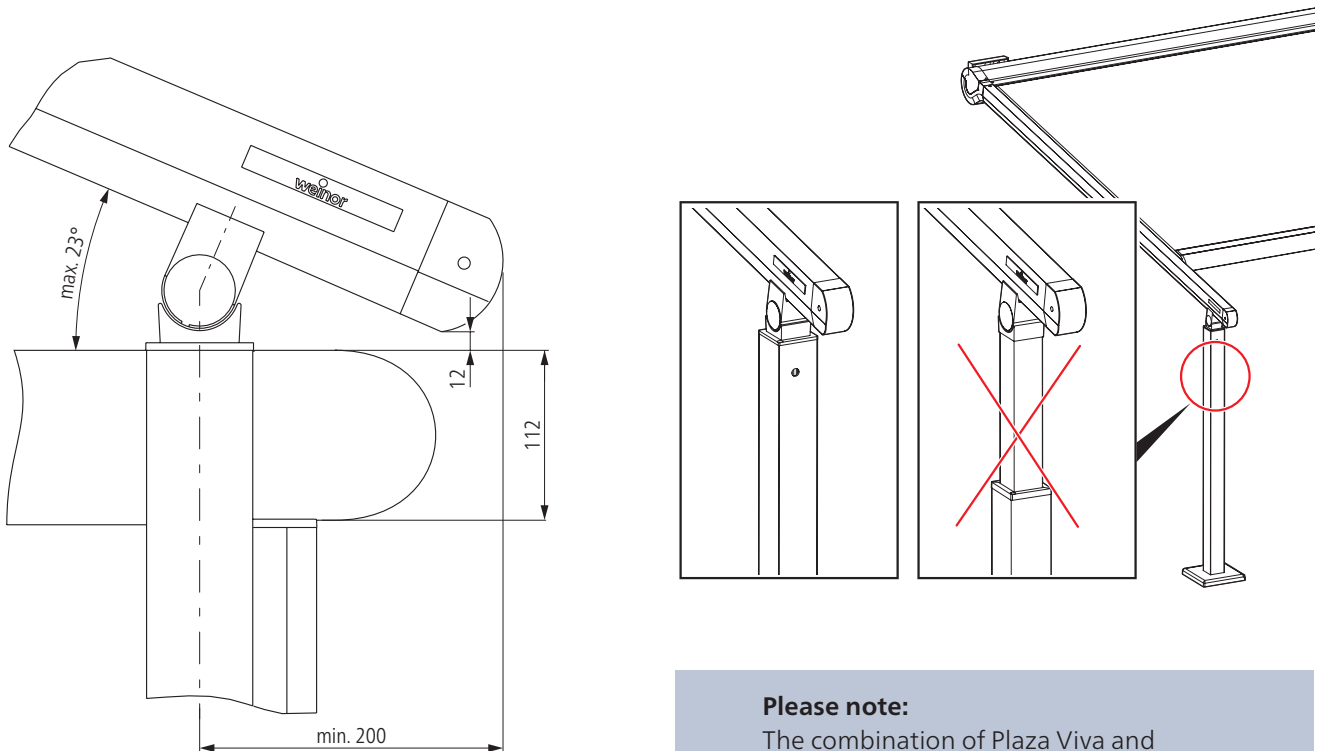
**VertiTex II side width = depth (D) + 47 mm**

## Views, cross-sections and dimensions



### Plaza Viva with front VertiTex II

If a VertiTex II is only mounted on the front, an additional side locking bar is required for cable arrangement.



**Note:**  
The maximum pitch for a Plaza Viva with front VertiTex II is **23°** as highlighted in the above drawing.

**Please note:**  
The combination of Plaza Viva and VertiTex II is only possible with fixed posts – no telescopic post is available. This is because the post must have a continuous dimension of 70 x 70 mm.  
Standard: Plaza Viva posts have a 50 x 50 mm top section which is used for the telescopic post option.

# Plaza Viva with VertiTex II Planning

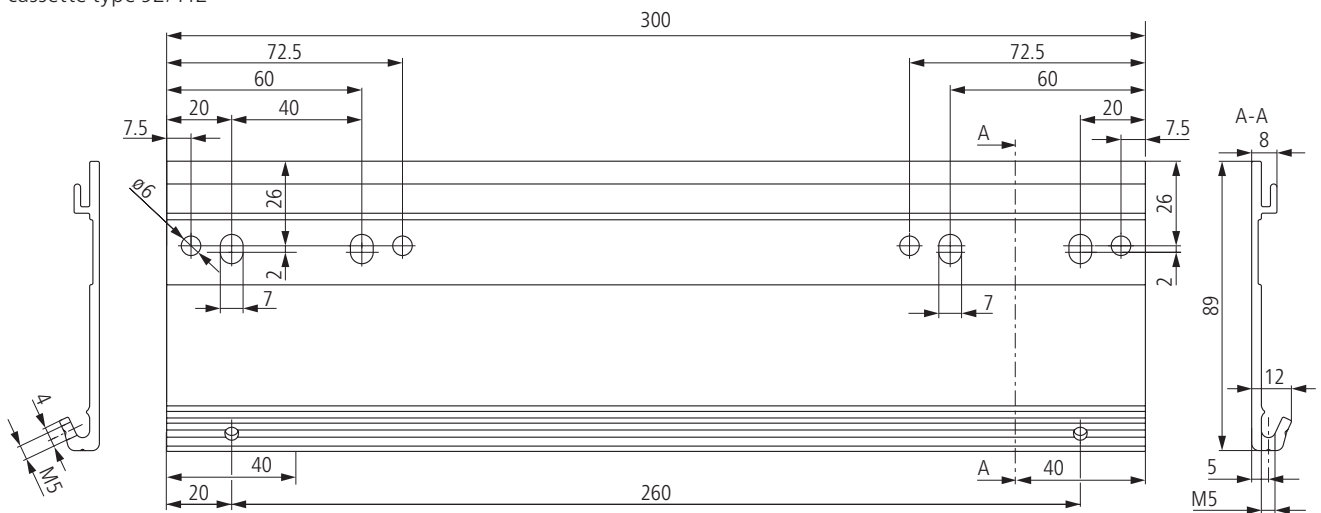
## Installing wall brackets

### 300 mm wall bracket, cassette type 92/112

The new 300 mm wall bracket was specially designed for Plaza Viva with VertiTex II. It connects the Plaza Viva and VertiTex II and gives the entire system perfect stability.



cassette type 92/112



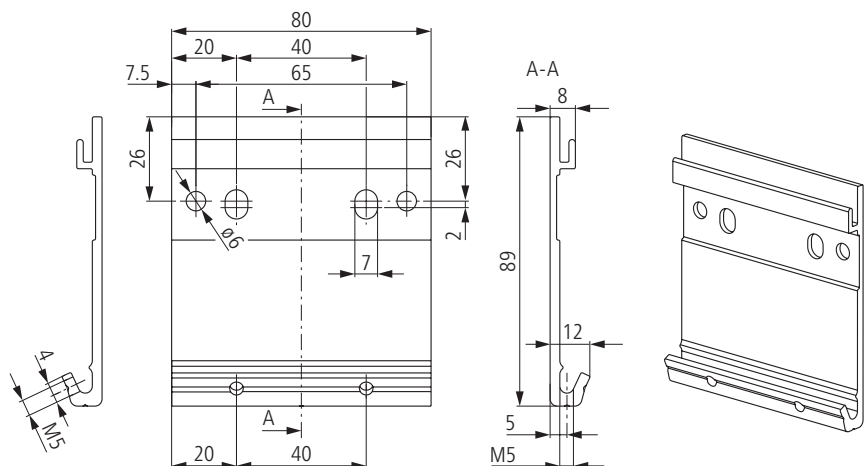
### 80 mm wall bracket, cassette type 92/112

The 80 mm wall bracket 80 mm is required when the distance of 2,500 mm between two brackets is exceeded to prevent the cassette from sagging.

**Note:** The fabric positioning can be adjusted using the grub screw in the middle. The outer grub screws are used to secure the cassette.



Cassette type 92/112 wall bracket

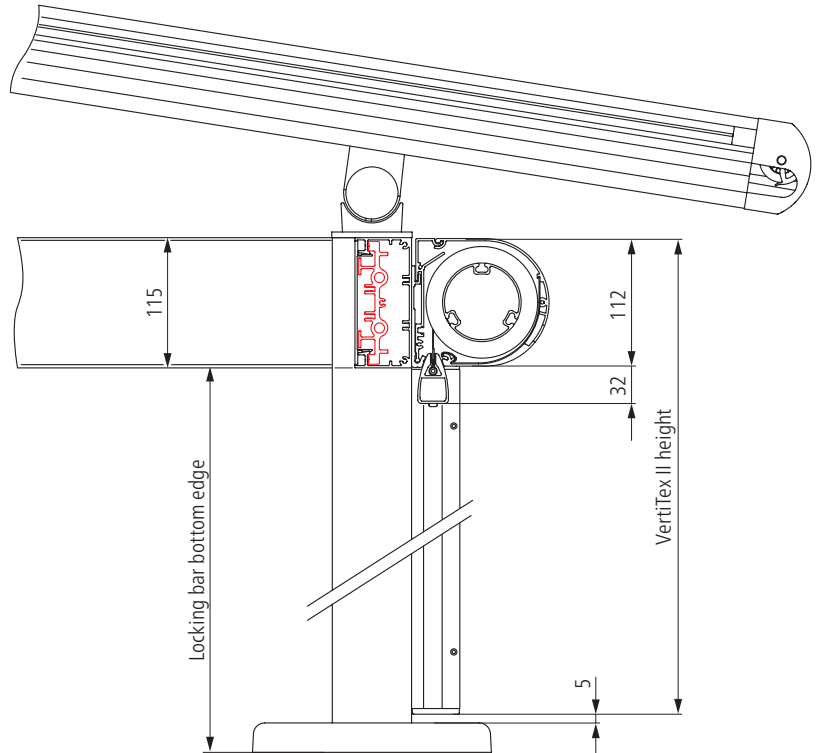


# Plaza Viva with VertiTex II Planning

## Plaza Viva with VertiTex II Zip/cassette types

### VertiTex II 92 and 112 round

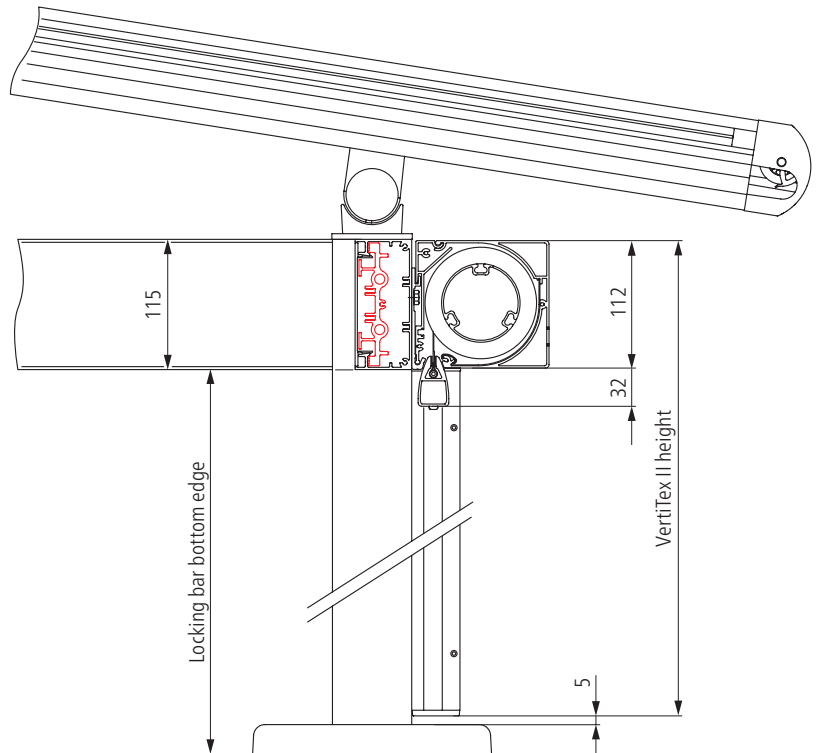
The VertiTex Zip with round cassette is used as standard for Plaza Viva.



Example with VertiTex II 112 round

### VertiTex II 92 and 112 square

The VertiTex Zip with square cassette can be ordered with the Plaza Viva on request.

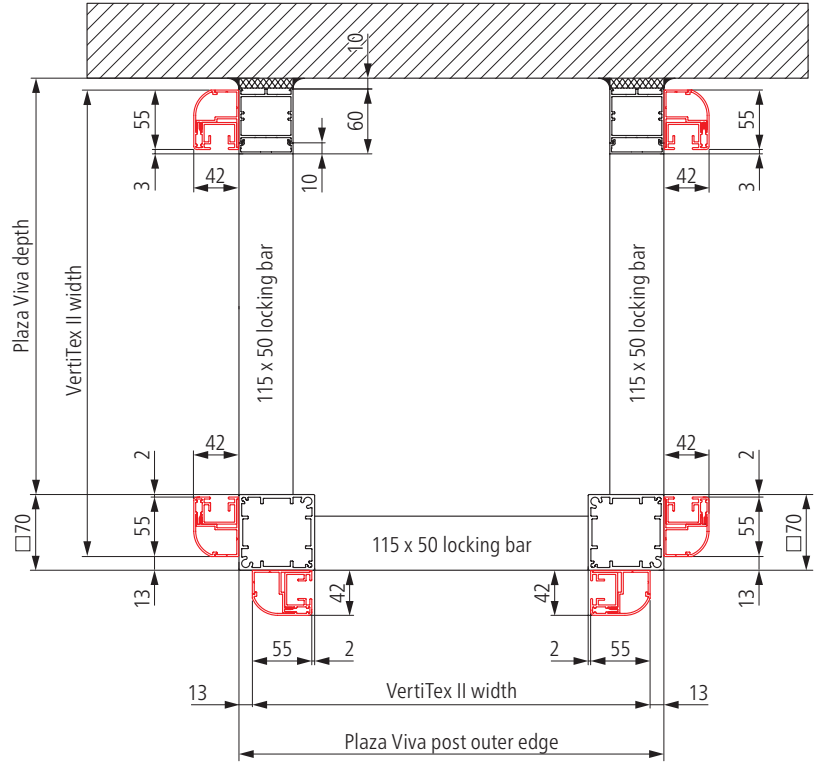
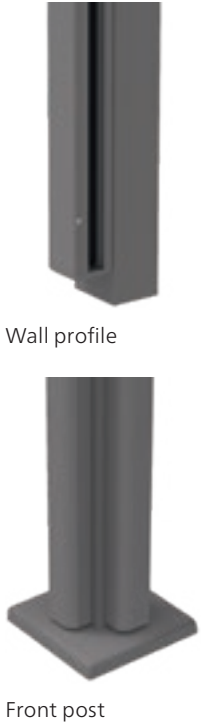


Example with VertiTex II 112 square

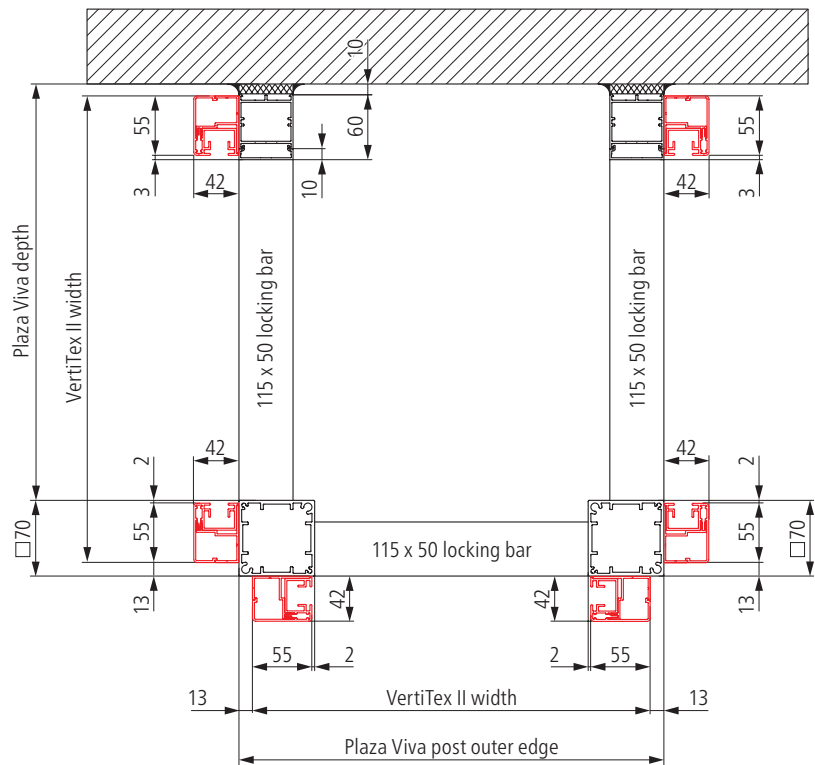
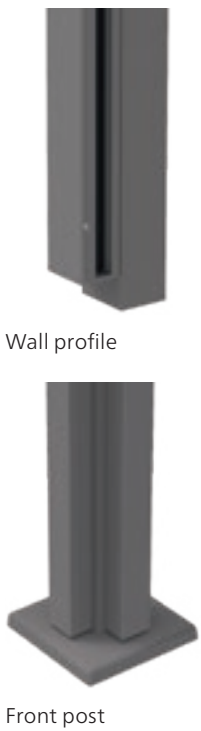
# Plaza Viva with VertiTex II Planning

## Plaza Viva with VertiTex II Zip/posts

### VertiTex II Zip with round guide rails



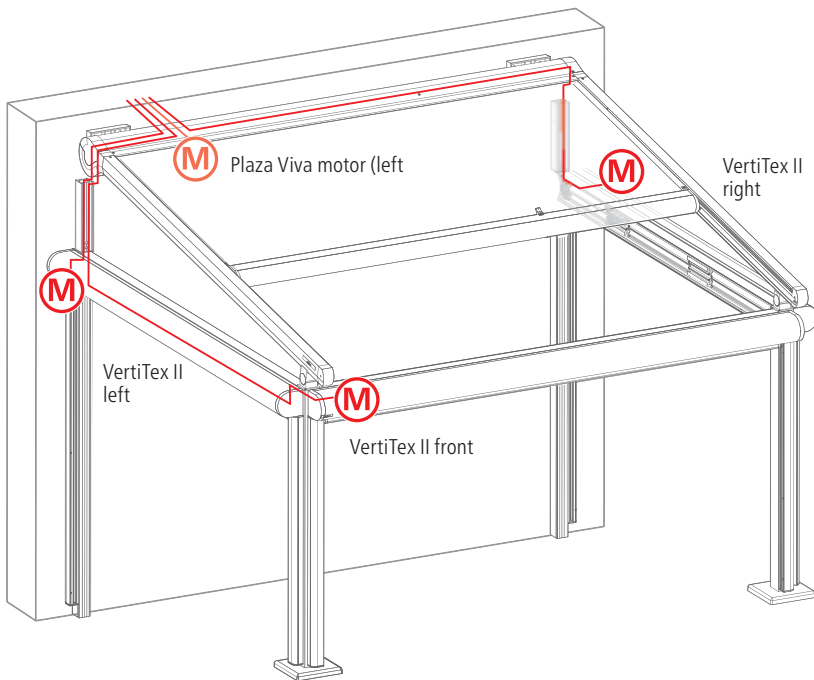
### VertiTex II Zip with square guide rails





# Plaza Viva with VertiTex II Planning

## Cabling



The front VertiTex II motor side is always on the same side as the Plaza Viva motor.

With the VertiTex II side versions, the motor is always located on the wall side.

When ordering the VertiTex II front only, it is essential to use a side locking bar for cable arrangement and connection.

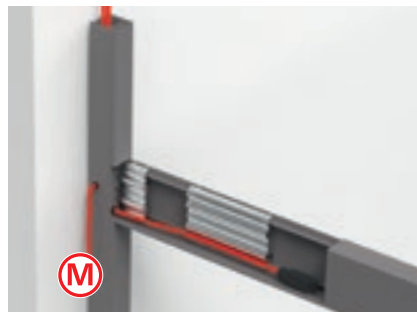
02

**Cable arrangement front post with front mounted VertiTex II**



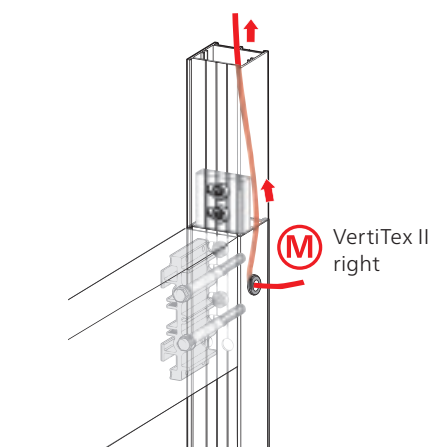
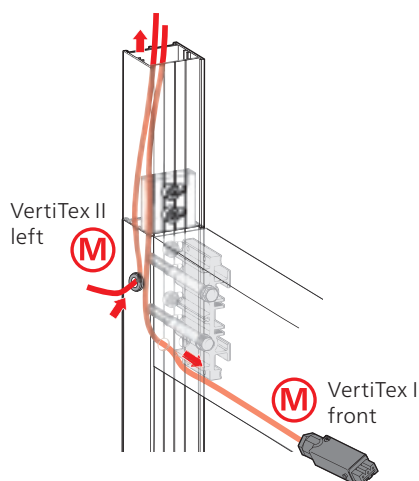
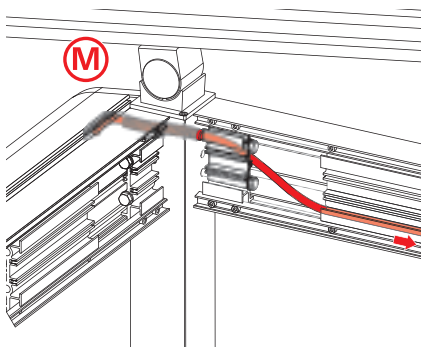
Hirschmann plug supplied on site

**Cable arrangement with wall profile on left**



Hirschmann plug is pre-assembled at the factory

**Cable arrangement with wall profile on right**



**(M)** Motor side

## Plaza Viva with VertiTex II Planning

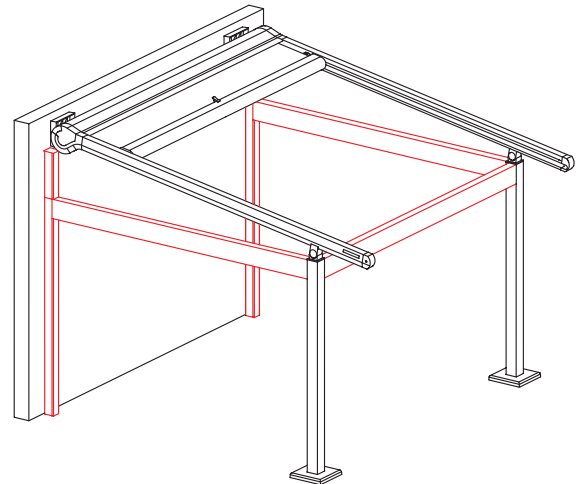
### Plaza Viva with mounted locking bar for VertiTex II assembly



Post (standard)



Post (set-back)



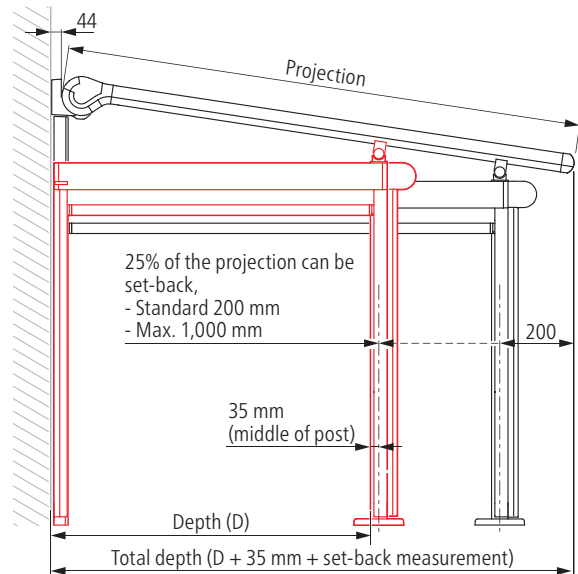
### Plaza Viva with mounted VertiTex II all round



Post (standard)



Post (set-back)



The posts can be set-back up to 25% of the projection (min. 200 mm/max. 1,000 mm). Mounting dimensions are specified on the assembly sheet for each order.

#### Technical information

- The rear edge from the wall profile to the inner edge of the post is crucial for the depth calculation. The post is supplied with a 200 mm recess measurement, as standard. The post can optionally be set-back up to 25% of the projection and 1,000 mm at the most. This reduces the length of the locking bar on the right and left.
- For versions with just a lateral VertiTex II, a front locking bar is required for safety reasons. In the case of just a VertiTex II at the front, a lateral locking bar and wall profile are required for cable arrangement.
- The width of the side locking bar and VertiTex II depend on the front posts' recess measurement. At the same time, the VertiTex II height changes. This can influence the price of the VertiTex II and the locking bar.

#### Important notes:

- Plaza Viva can only be realised with VertiTex II with fixed posts. From a pitch of 14° it fulfils rain class 2.
- If the pitch is less than 14°, there is a risk of water pooling, which can damage the fabric.
- The front posts for Plaza Viva with VertiTex II have a continuous dimension of 70 x 70 mm.
- Plaza Viva with VertiTex II is only possible in combination with cassette 92 and 112.
- VertiTex II is designed with a round cassette and round guide rail, as standard. VertiTex II square is possible, on request.